

EDB011

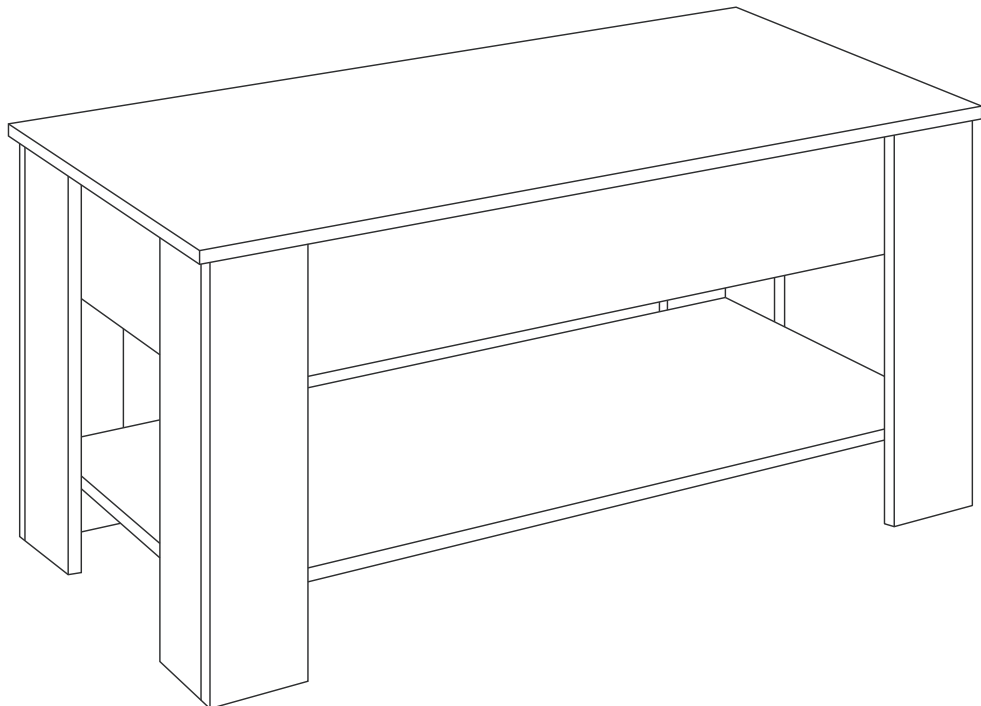
ASSEMBLY INSTRUCTION



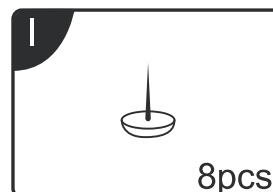
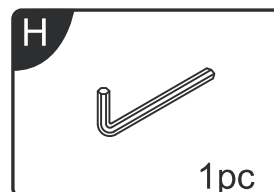
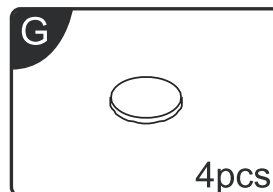
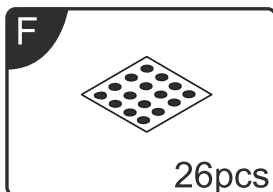
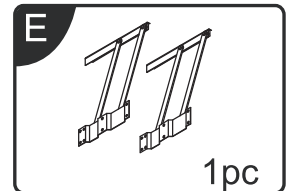
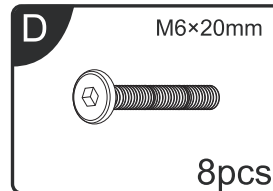
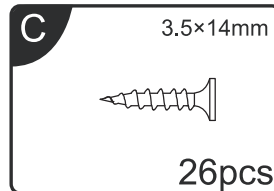
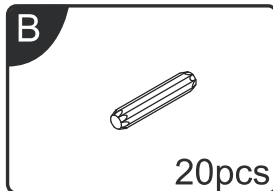
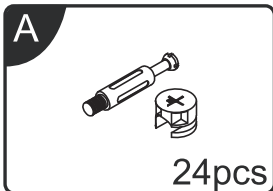
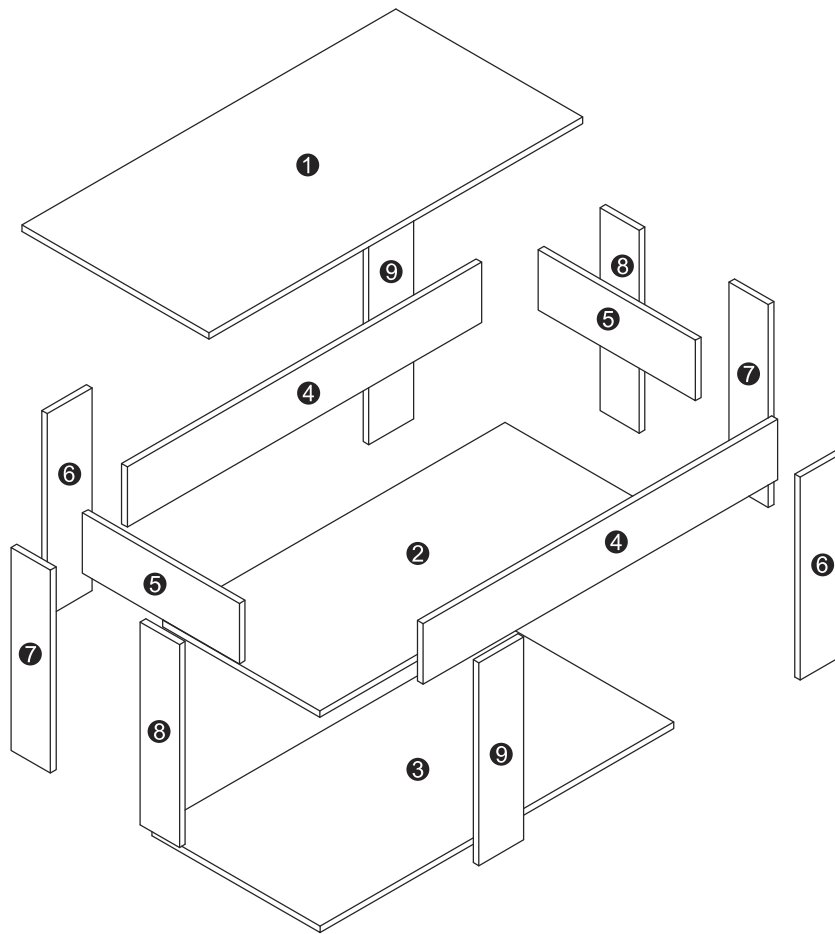
ADULT ASSEMBLY REQUIRED

Read all instructions before assembly and use.
Due to the presence of small parts during assembly, keep
out of reach of children until assembly is complete.

Please be sure to use a manual screwdriver and
refrain from using an electric drill.



PARTS LIST



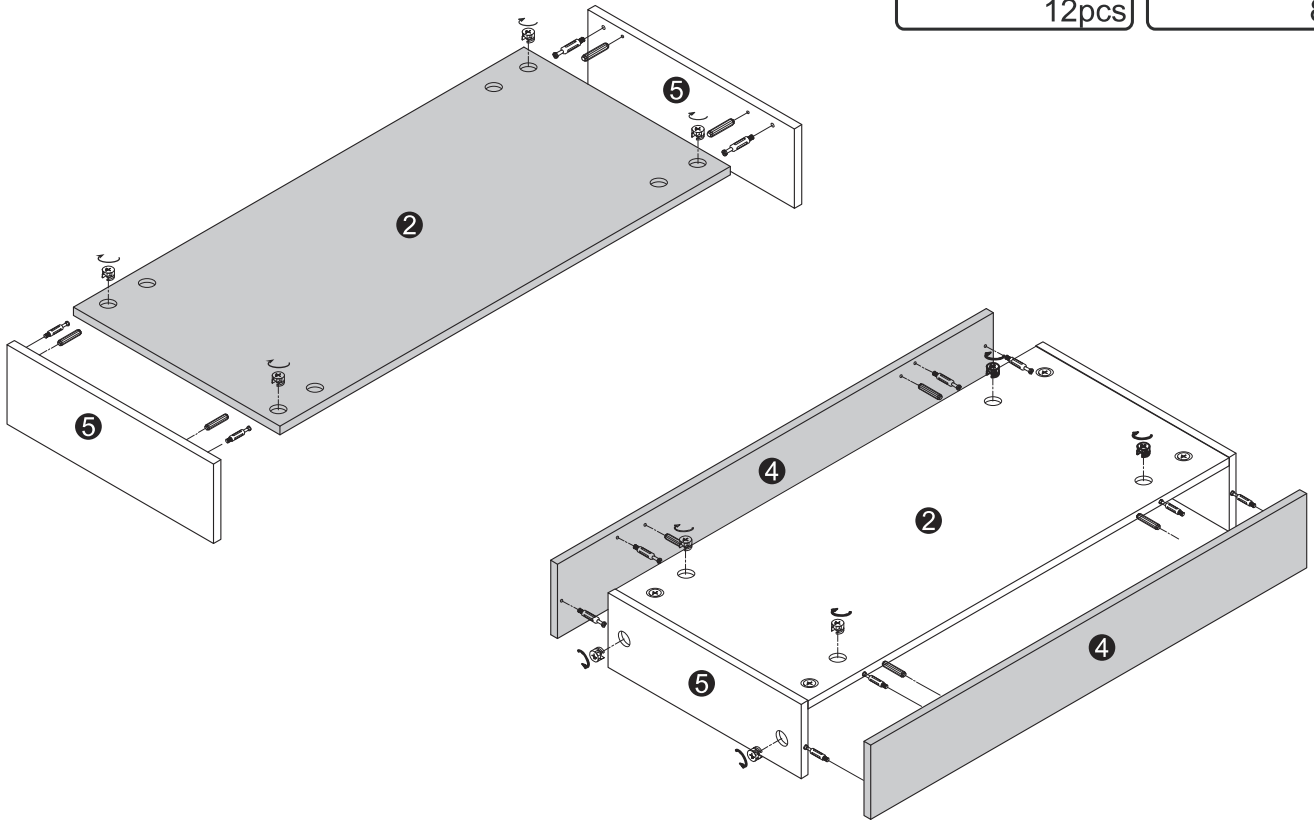
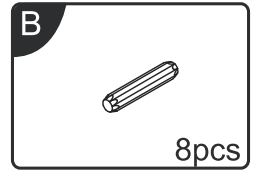
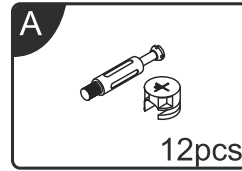
- Please read the instruction manual carefully before using it.
- Please assemble strictly in accordance with the instruction.
- This product will be more convenient for two people to install together.



Two person installation

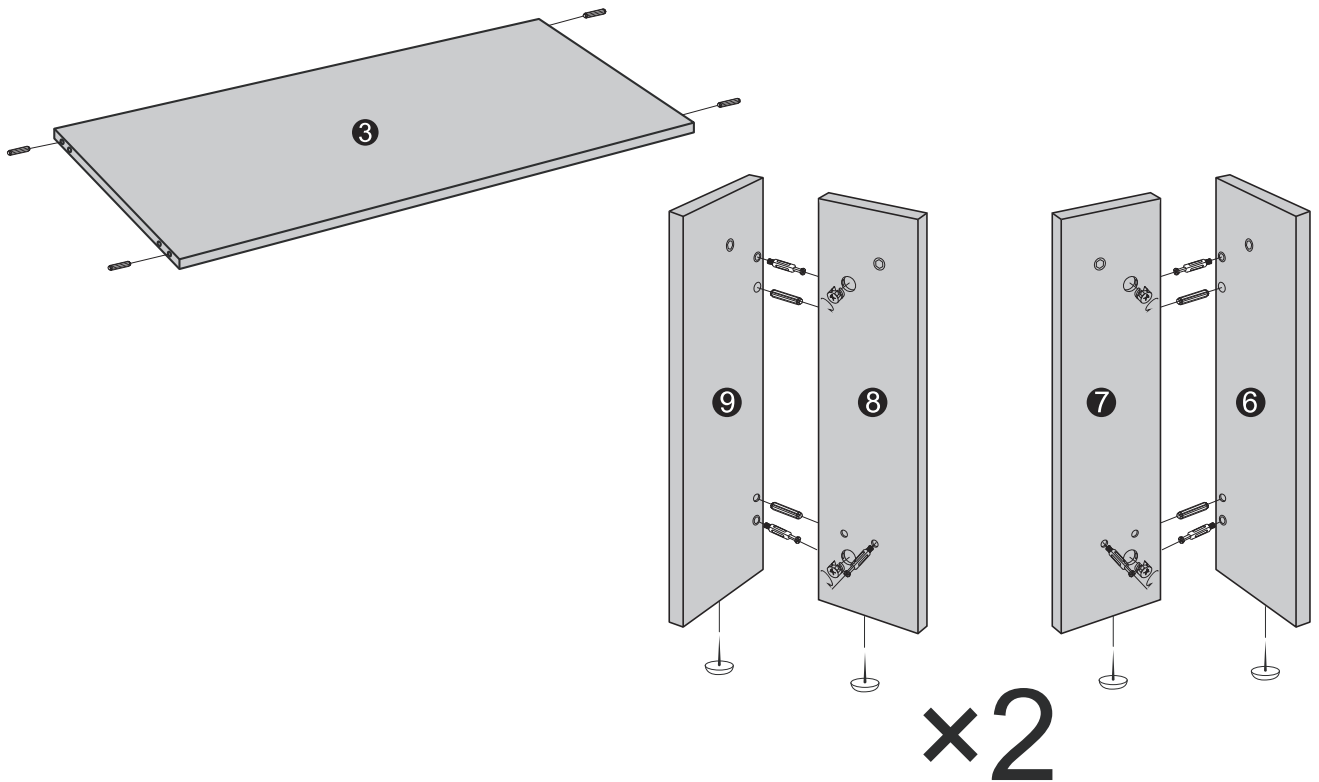
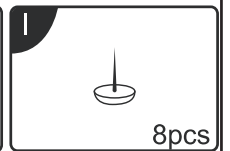
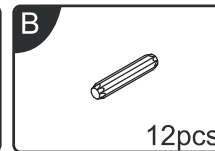
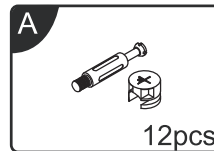
- Please double check to ensure that all parts of the package contents are intact. If any parts are missing, broken, damaged or worn, stop using this product until repairs are made and factory replacement parts are installed.

1



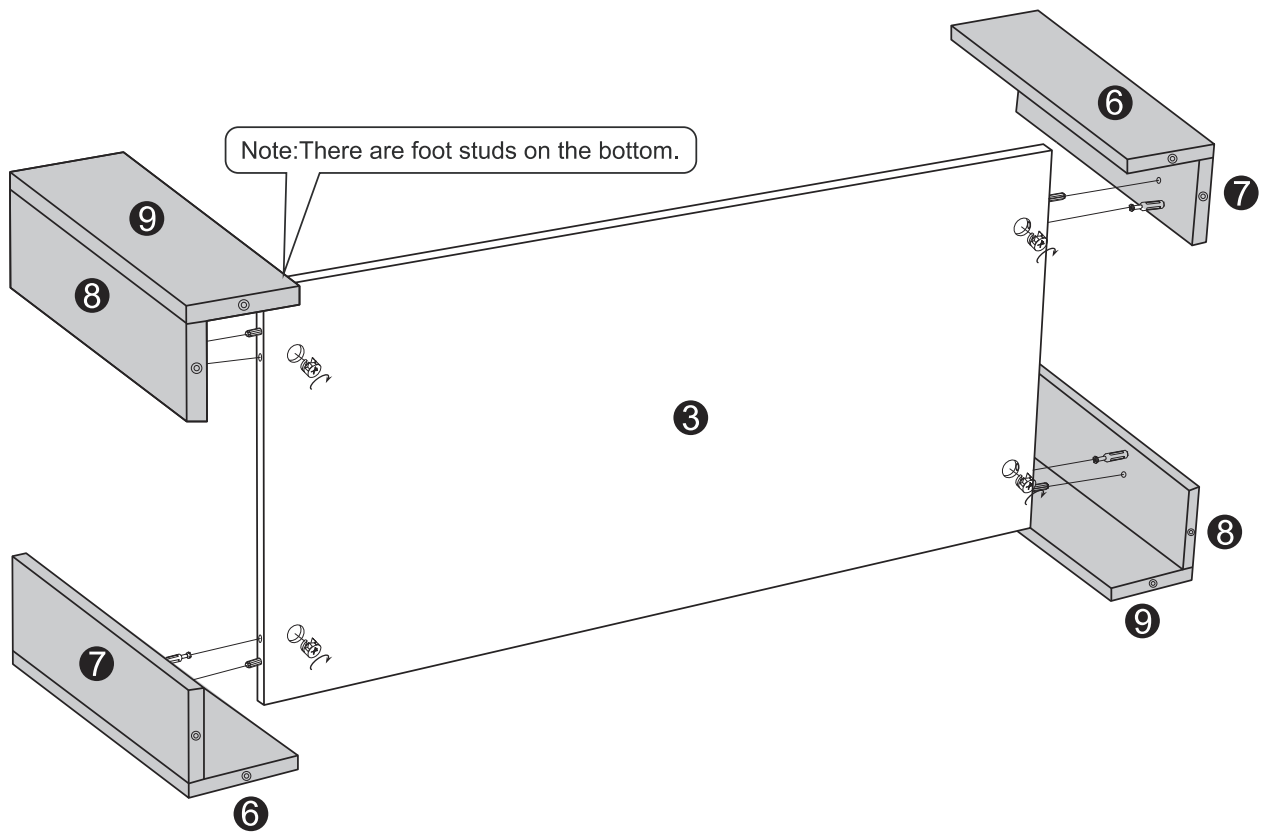
⚠ Tighten all components during installation.

2



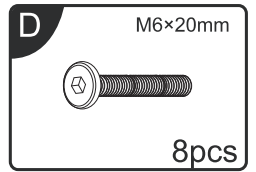
⚠ Tighten all components during installation.

3

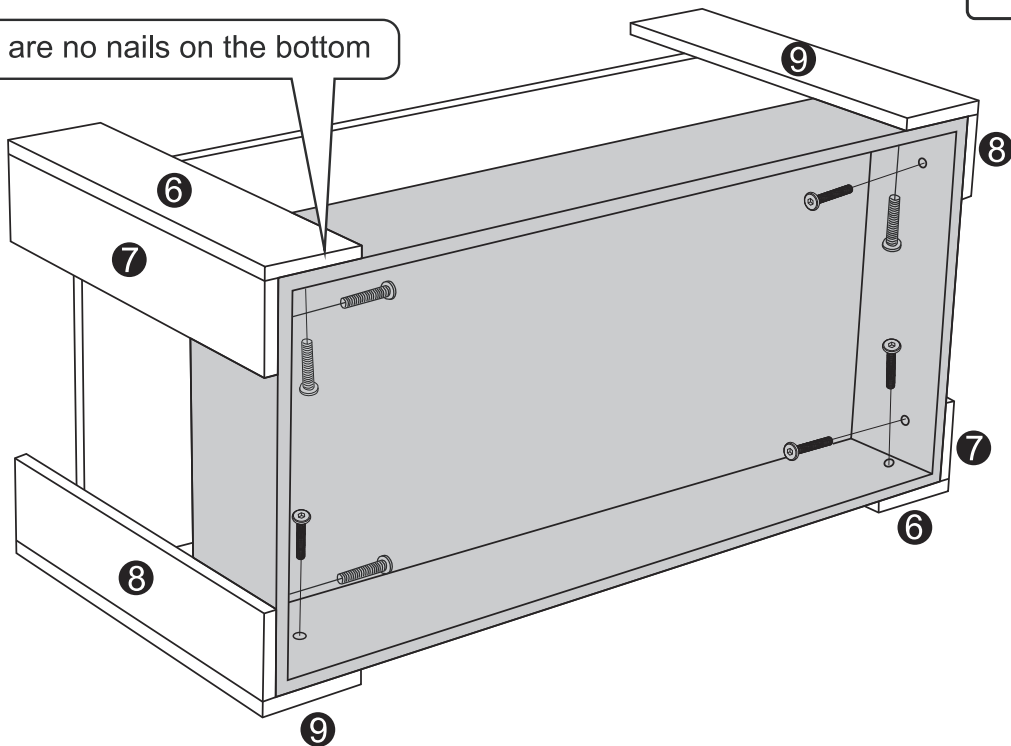


⚠️ Tighten all components during installation.

4



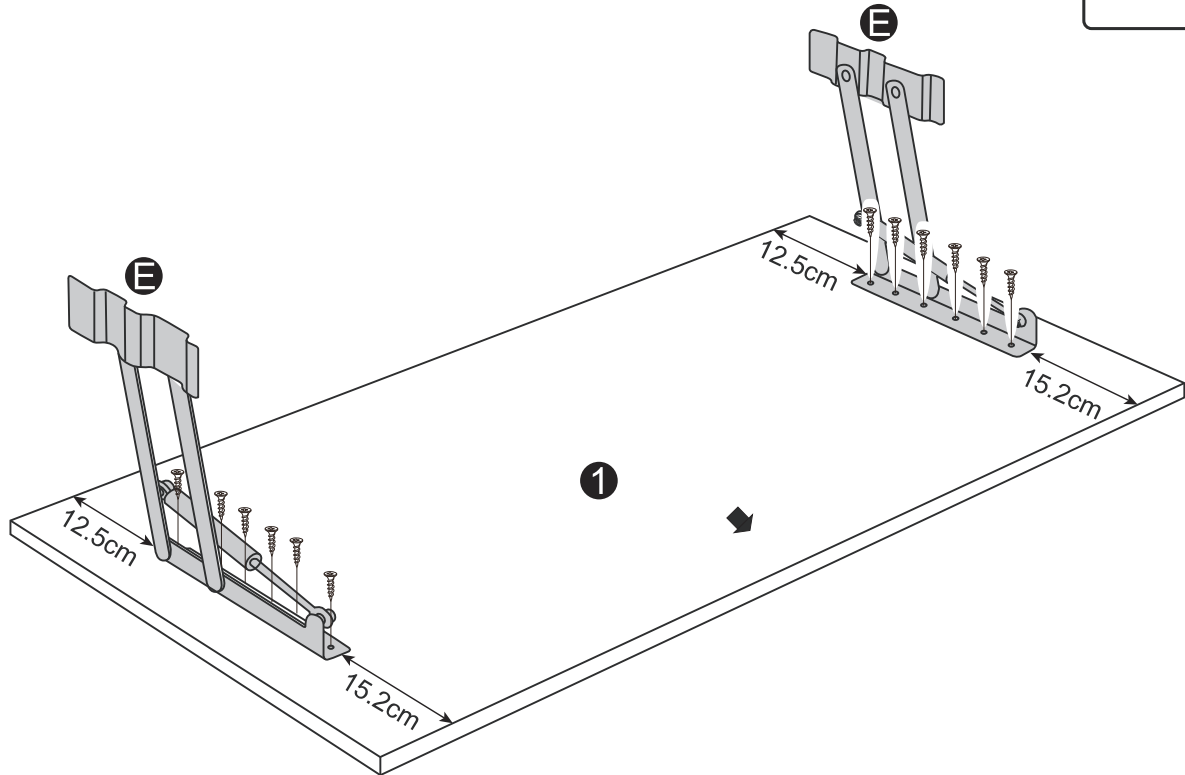
Note: There are no nails on the bottom



⚠️ Don't tight all screws until assembly is finish .

5

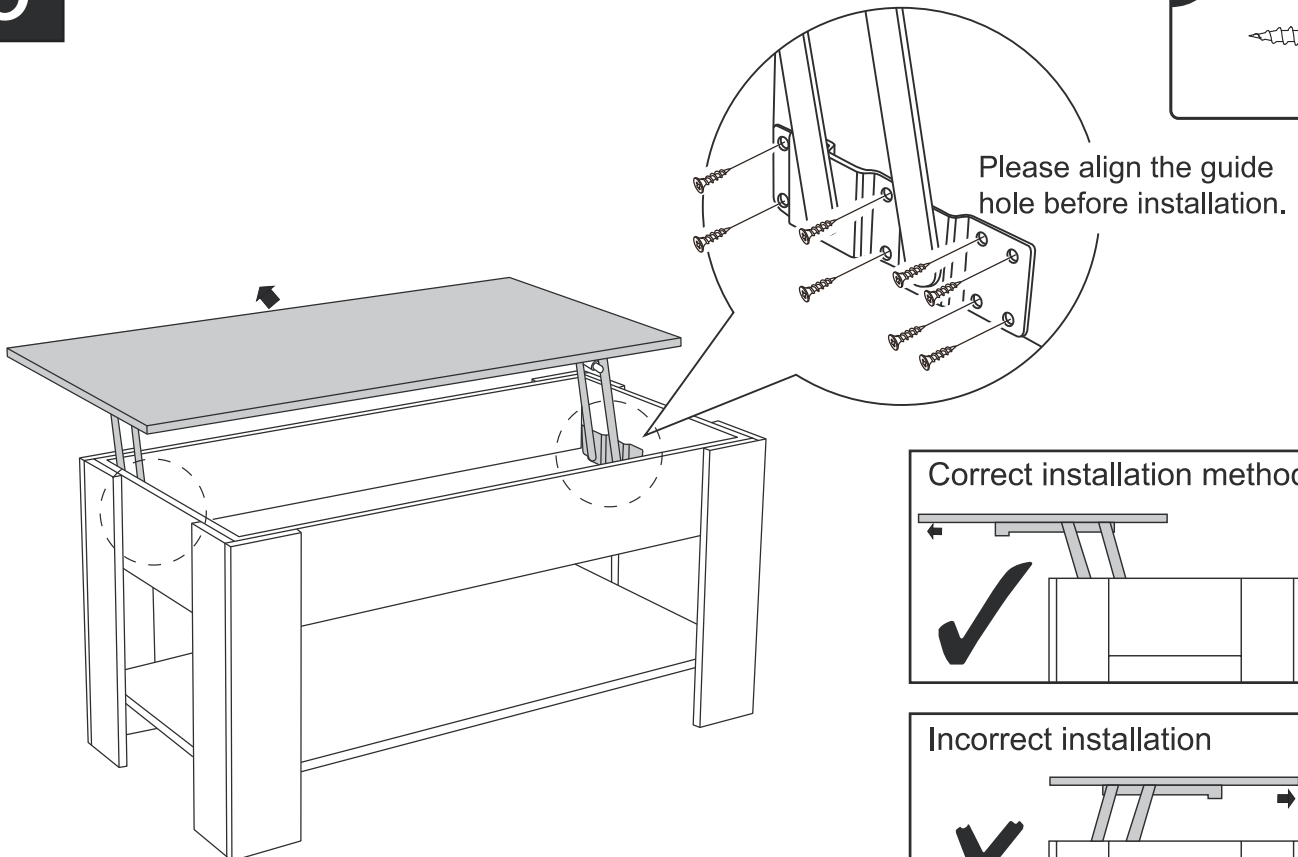
C 3,5×14mm
10pcs



Please pay attention to the orientation when installing. If the desktop is installed in the wrong direction, the use will be affected.

6

C 3,5×14mm
16pcs



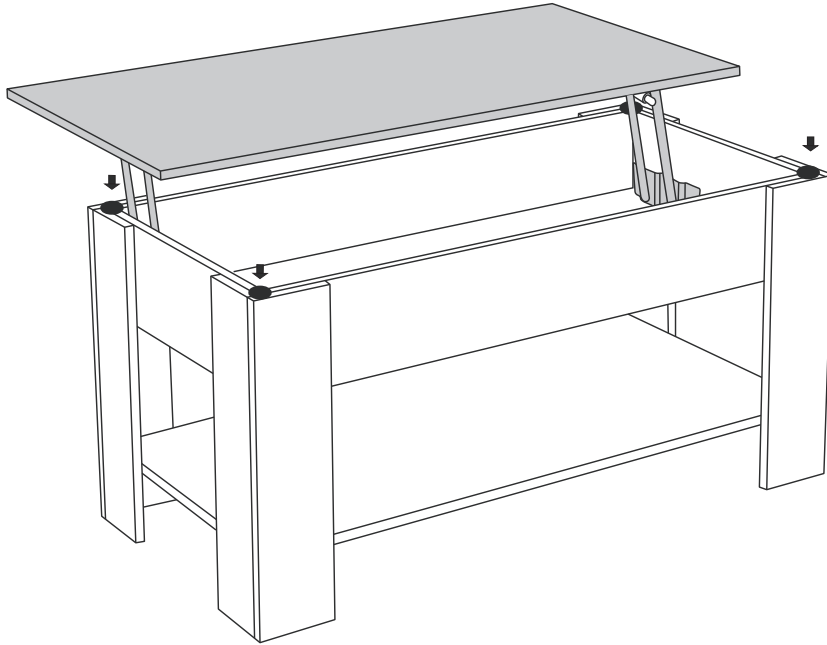
Please pay attention to the orientation when installing. If the desktop is installed in the wrong direction, the use will be affected.

7

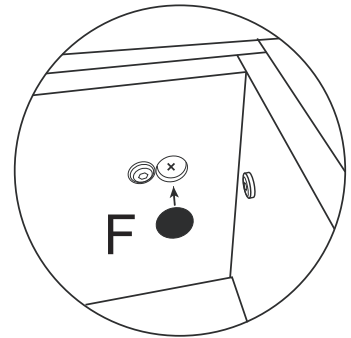
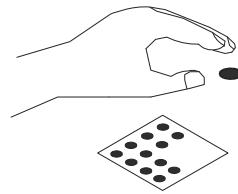
G



4pcs



8



Stick the holes in all connectors with stickers

