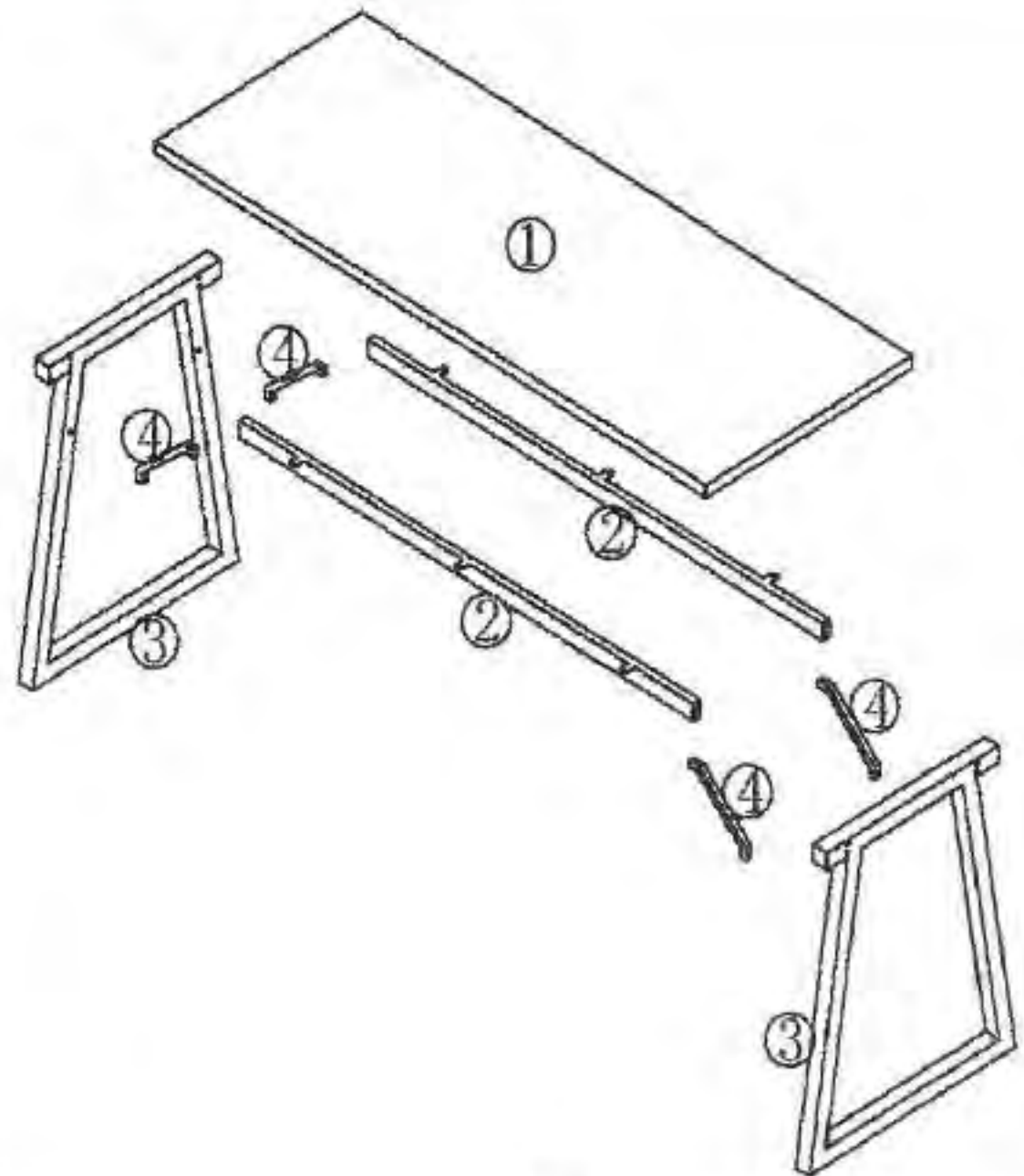
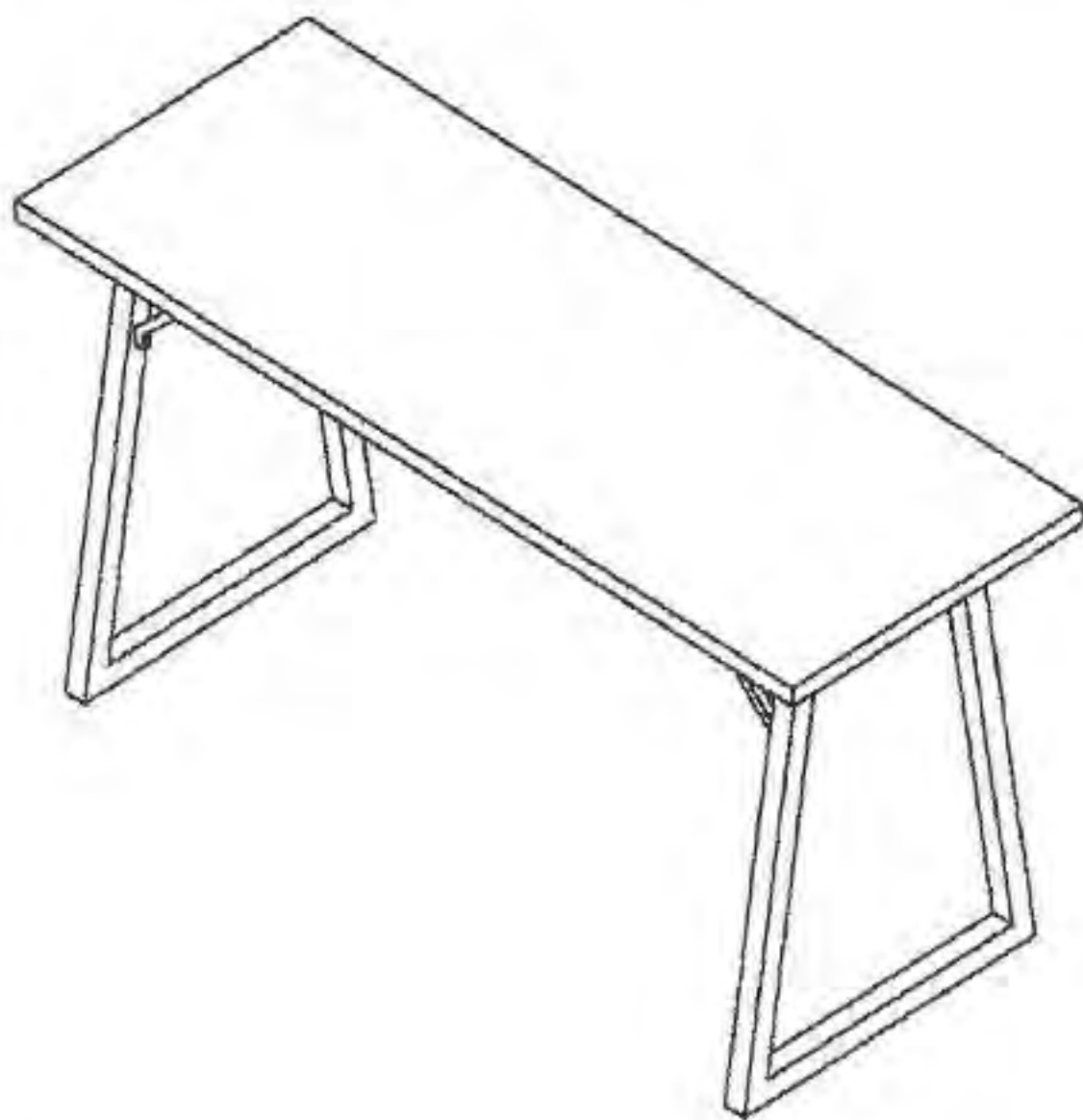


GD004 Installation Instruction

Please be sure to use a manual screwdriver and refrain from using an electric drill.



operate

1. Since boards and screws are not universal, please read the instructions carefully before installation and distinguish each type of board and screws.

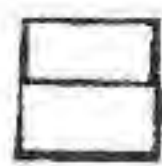
Must see

2. Please tighten the screws 70% during installation, and then tighten all screws after all installation is completed.



E11*9

6*60 flat head screws



W19*4

Felt gasket (40 squares meters)



E4*9

6*25 flat head screws 4*16 large flat head screws

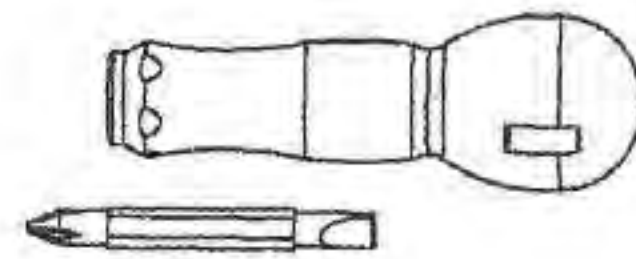


C8*7



N1*4

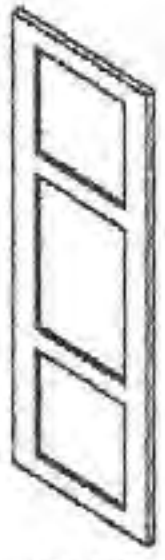
Felt gasket



Screwdriver*1



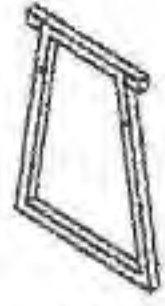
Please turn page



①*1



2*2

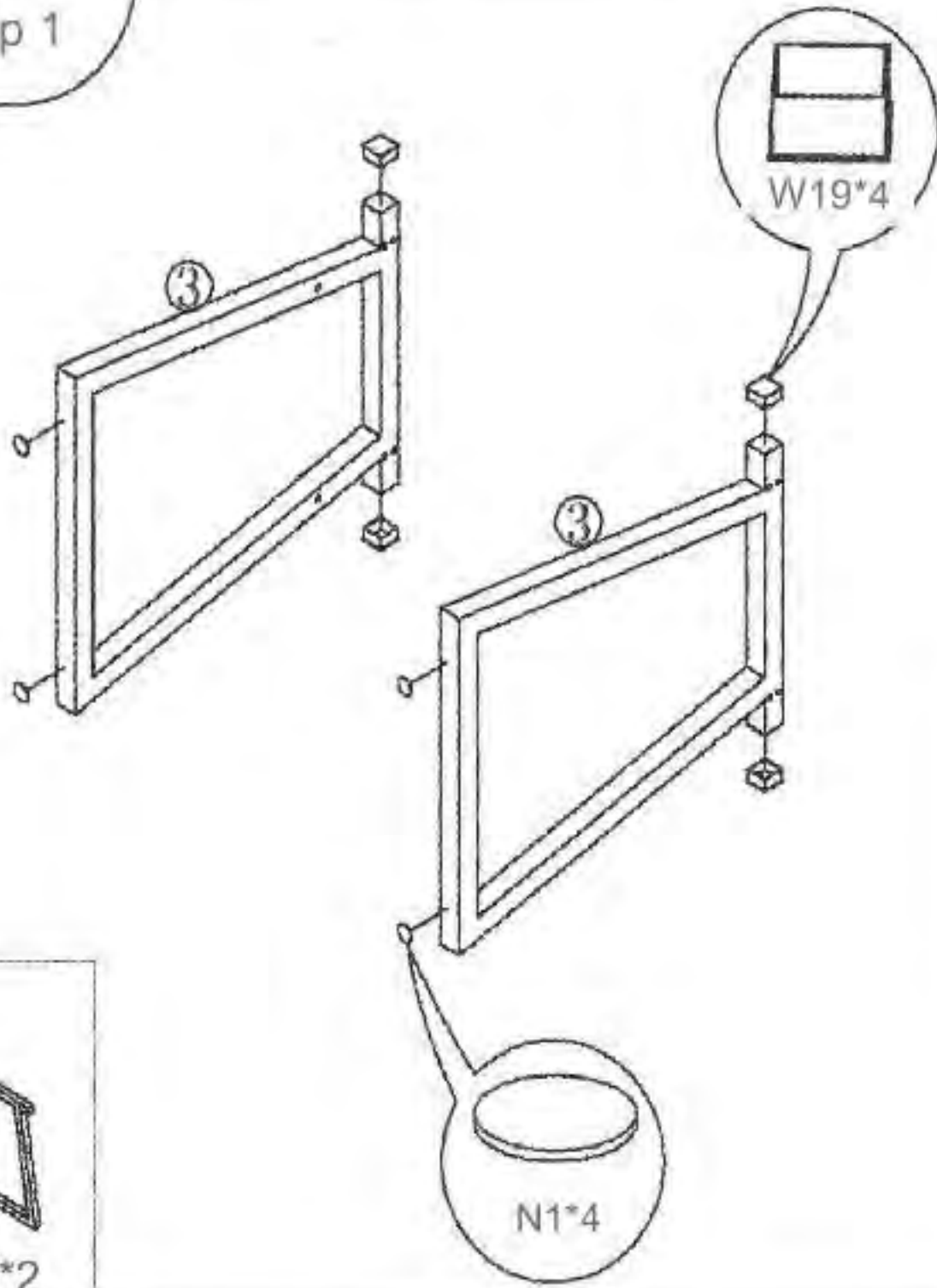


③*2

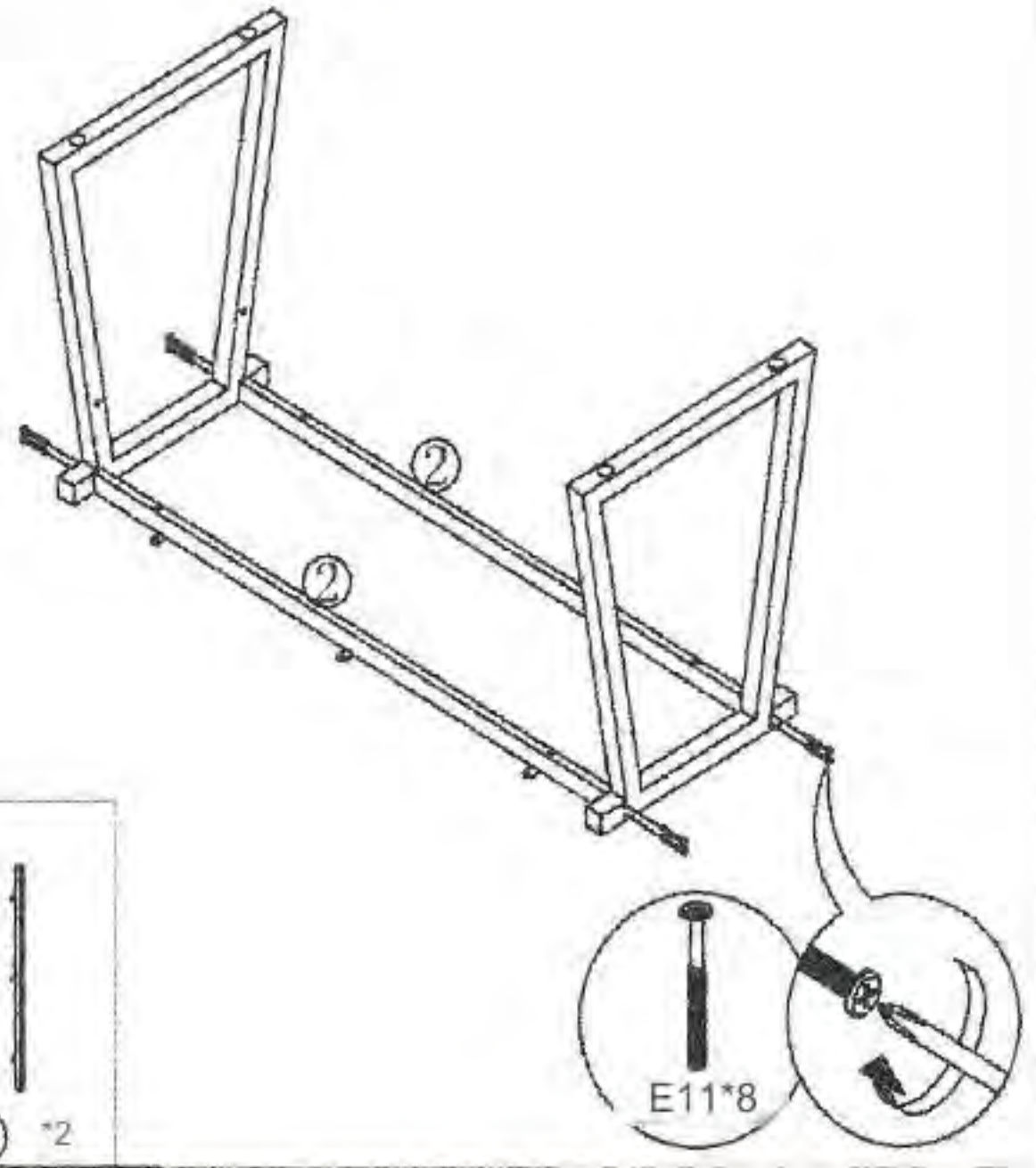
④*4

√15 diagonal brace square tube (230mm)

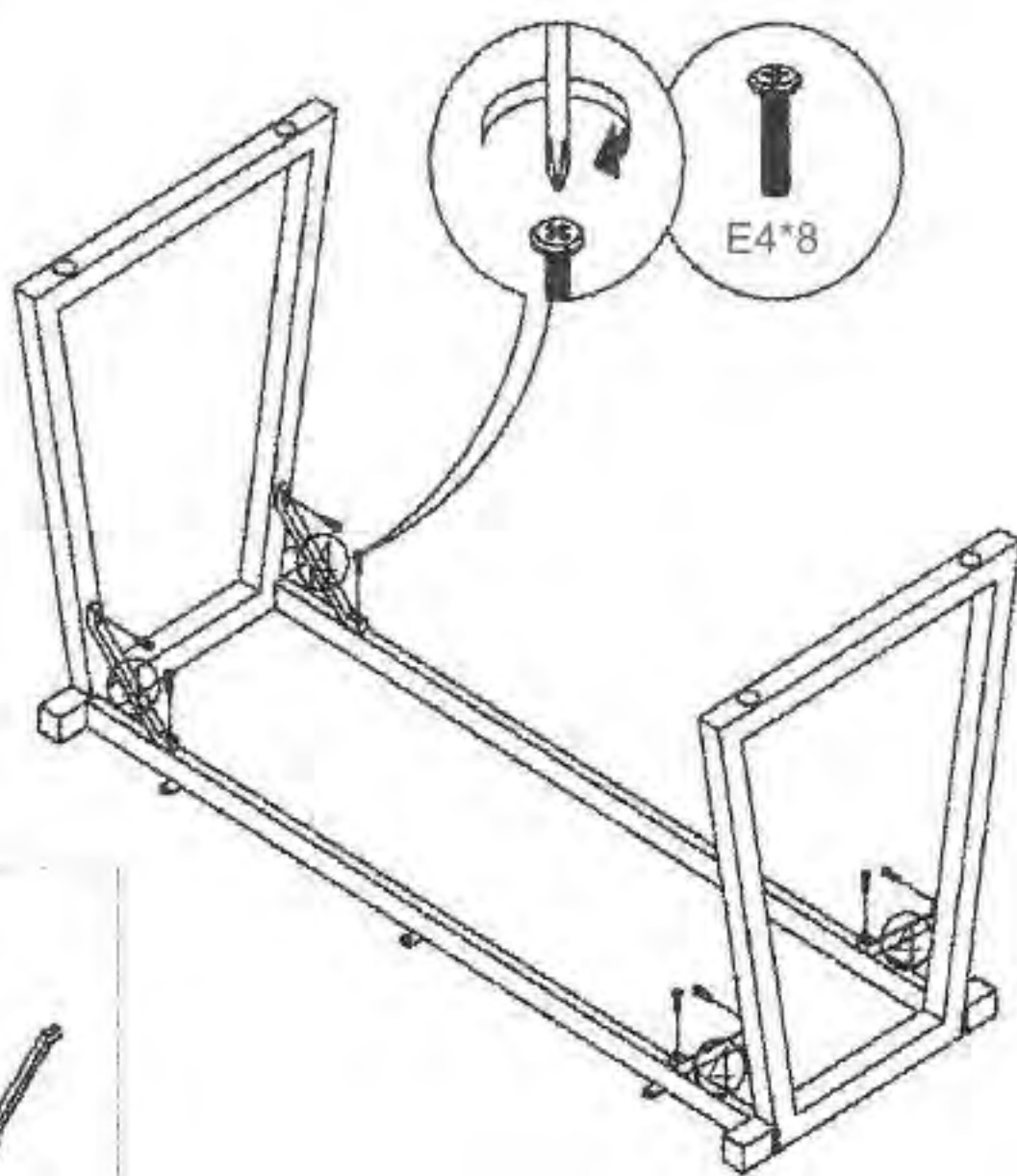
step 1



Step 2/When installing, pay attention to the small iron piece on the No. 2 steel frame facing outwards

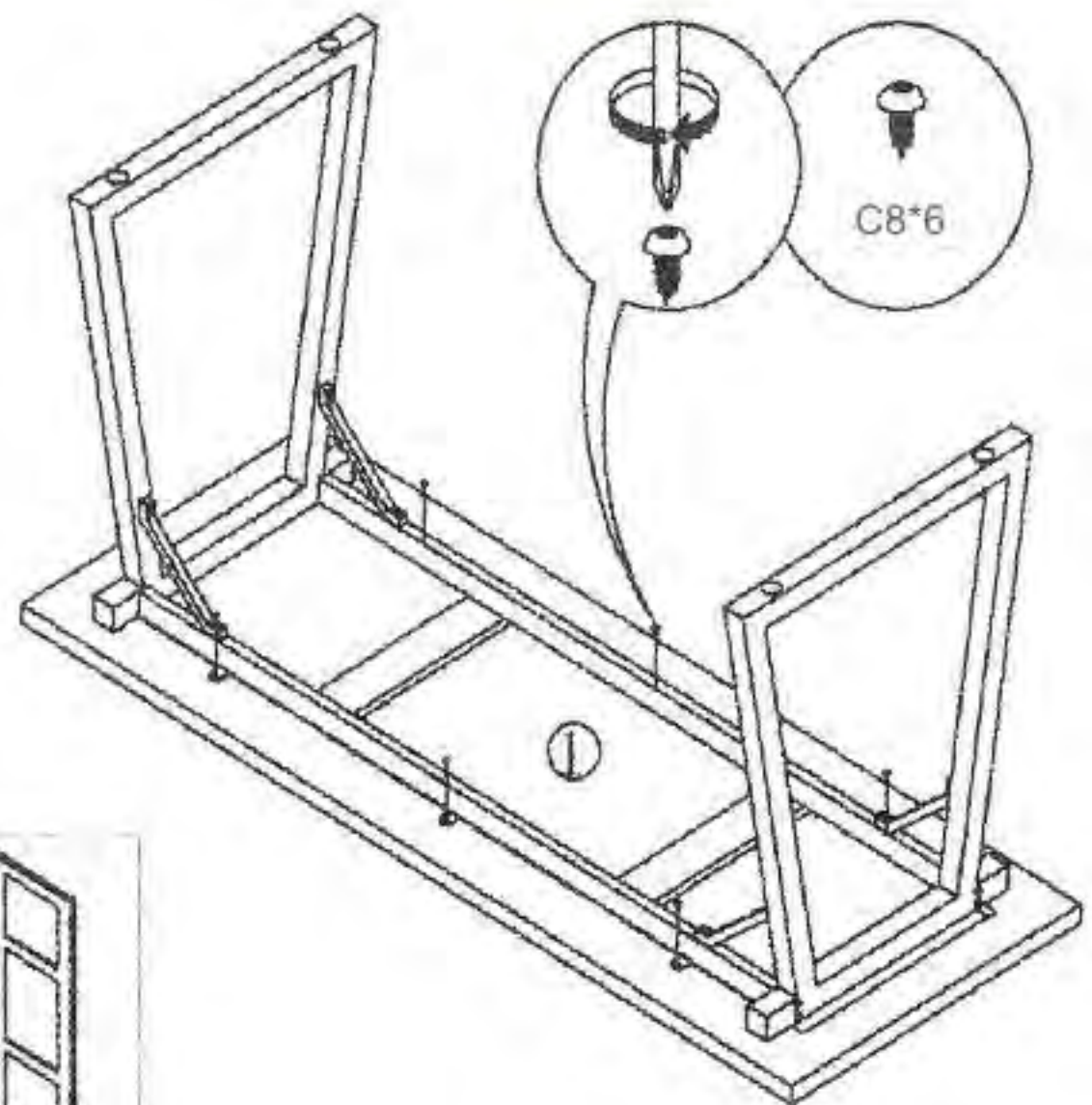


Step 3



Step 4/Due to size differences, please refer to the actual product for the number of iron pieces

on the crossbar, and screw in the large flat head screws corresponding to the number of small iron pieces to complete the installation.



4*4



①*1