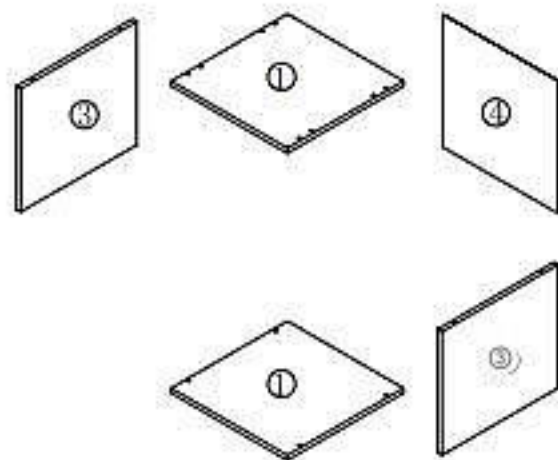
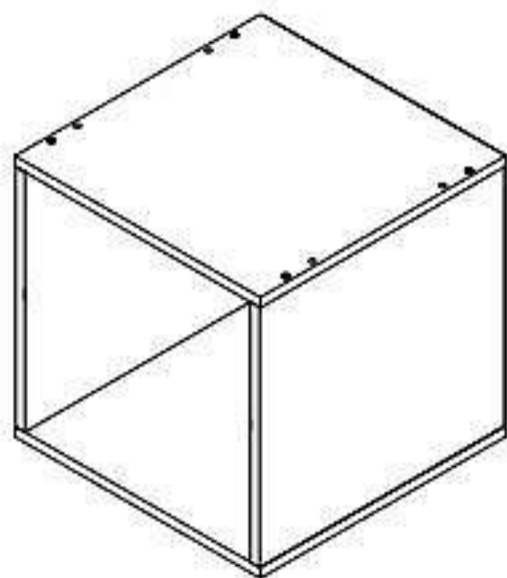


BS010 Installation Instruction

Please be sure to use a manual screwdriver and refrain from using an electric drill.

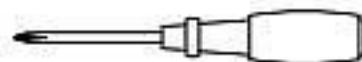


Operations

1. Since the panels and screws are not universal, please read the instructions carefully before installation and distinguish each type of panels and screws.

Must See

2. During installation, please tighten the screws 70% first, and then tighten all screws after all installation is completed.



Screwdriver*1



B4*9



D11*5



K20*14



219*5



①*2



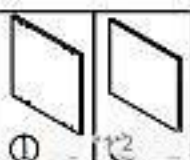
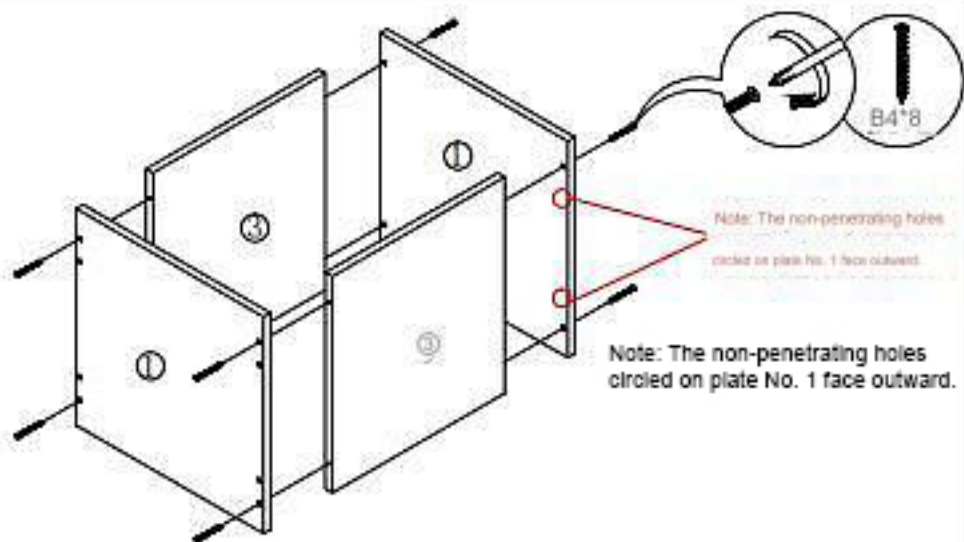
③*2



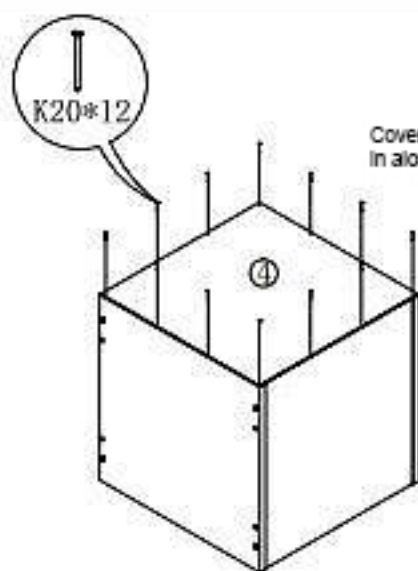
④*1



step 1



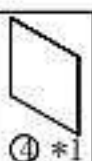
Step 2



Cover the 3mm back plate and use a hammer to drive nails.

in along the edge (the buyer needs to bring his own hammer).

Cover the 3mm back plate and use a hammer to drive nails in along the edge (the buyer needs to bring his own hammer).



Step 3

