

Furniture  
installation



CHANEL

SOCE025-60/90CM

Installation process of bedside table





M24\*4



K11\*2



F2\*4 Screwdriver \*1



D14\*11



B4\*30



A1\*42



K0\*17



D7\*6



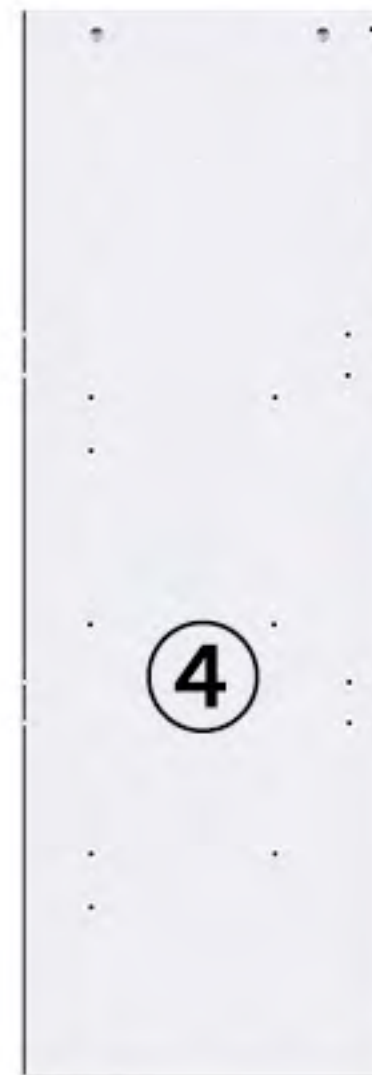
14



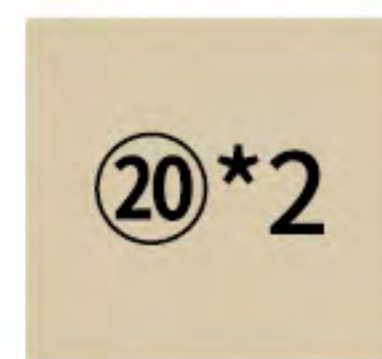
11



1



4



20\*2



18\*2



19\*2



17\*2



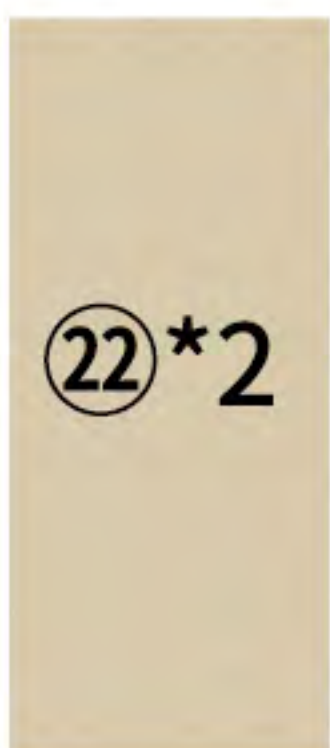
16



15



2



22\*2



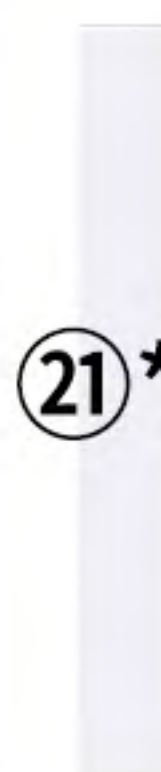
23



5



8



21\*2



7



6

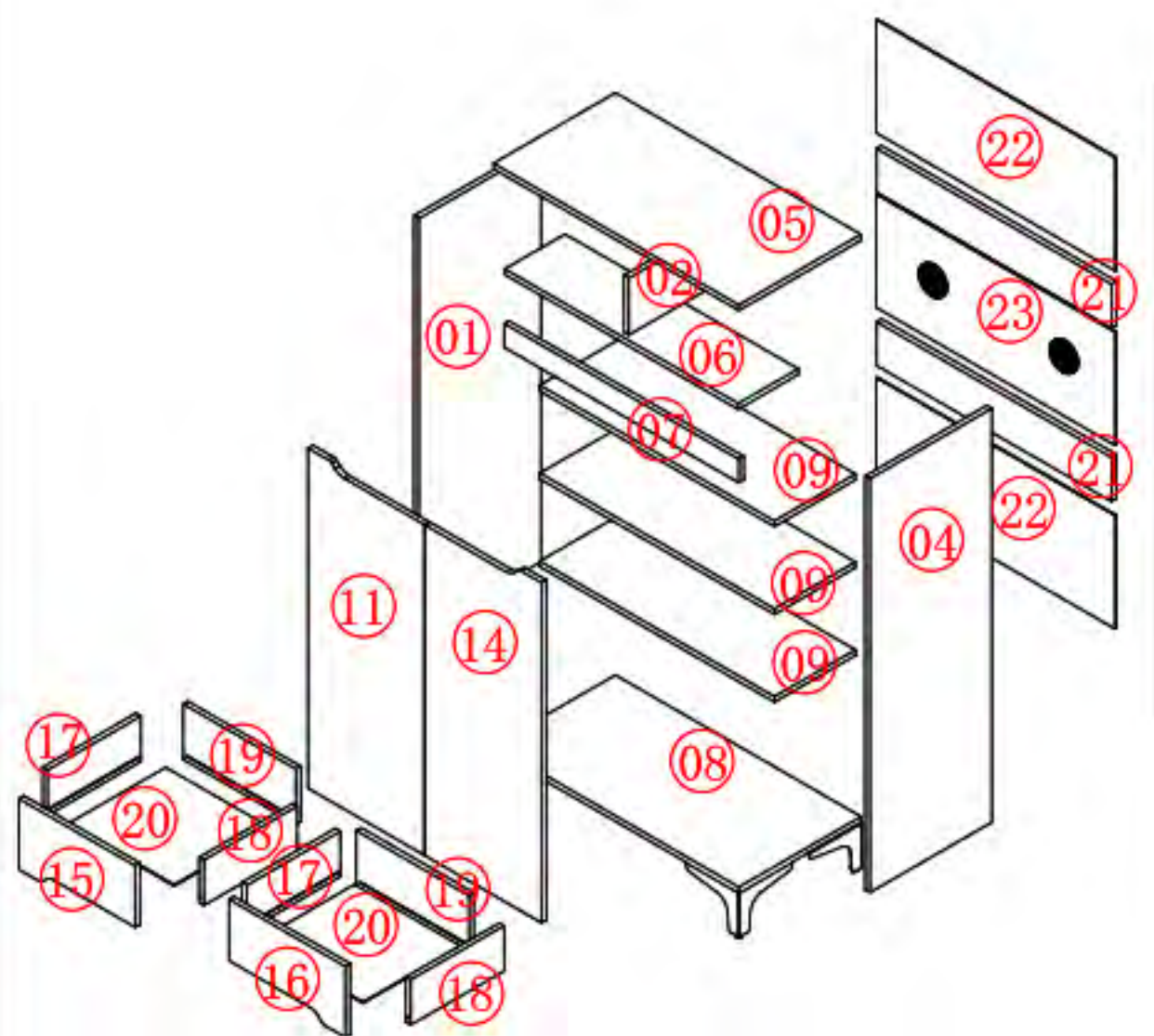


9\*3

## Presentation of finished product

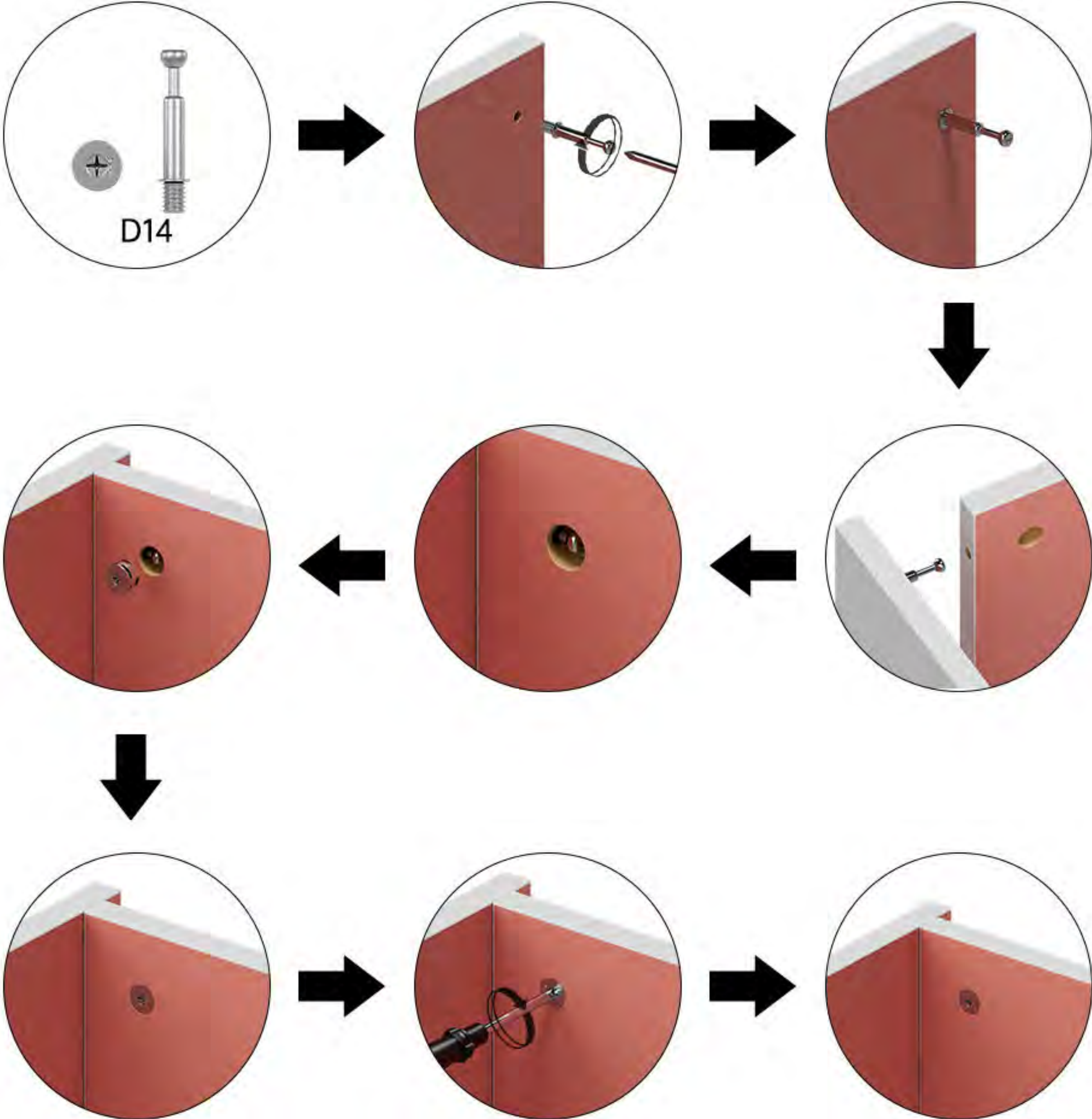


## Product Split Diagram

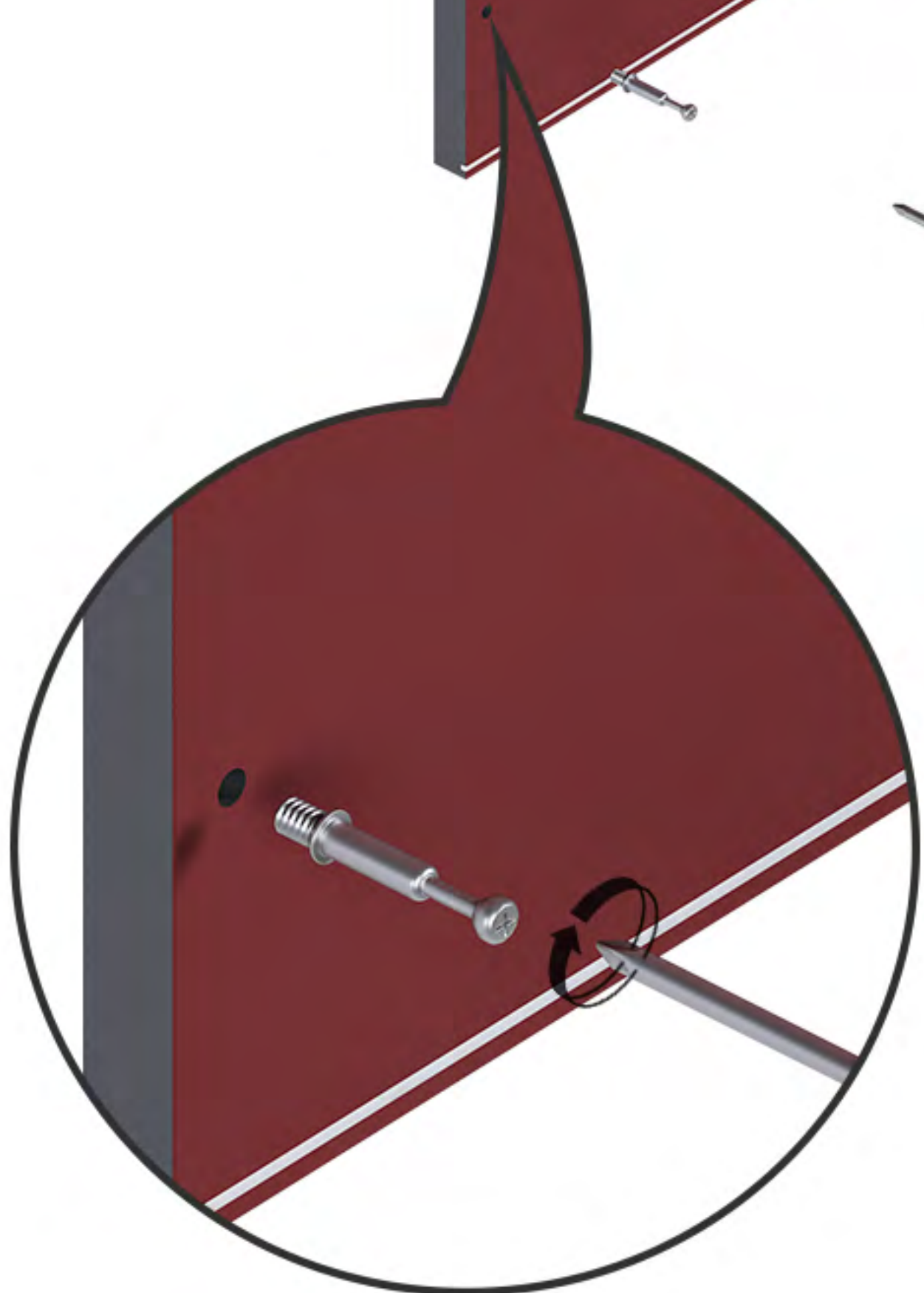
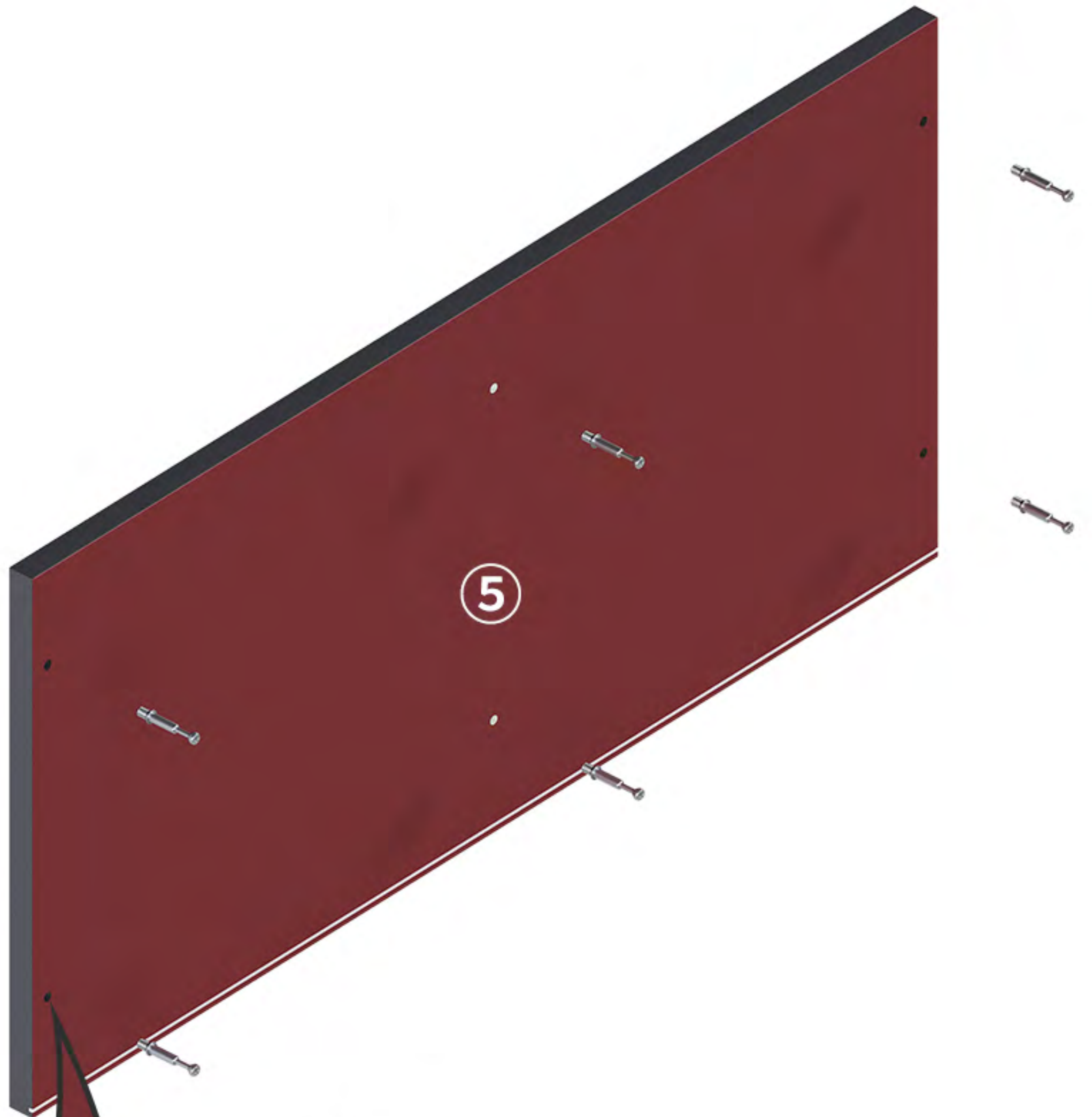




# Installation method of eccentric screw

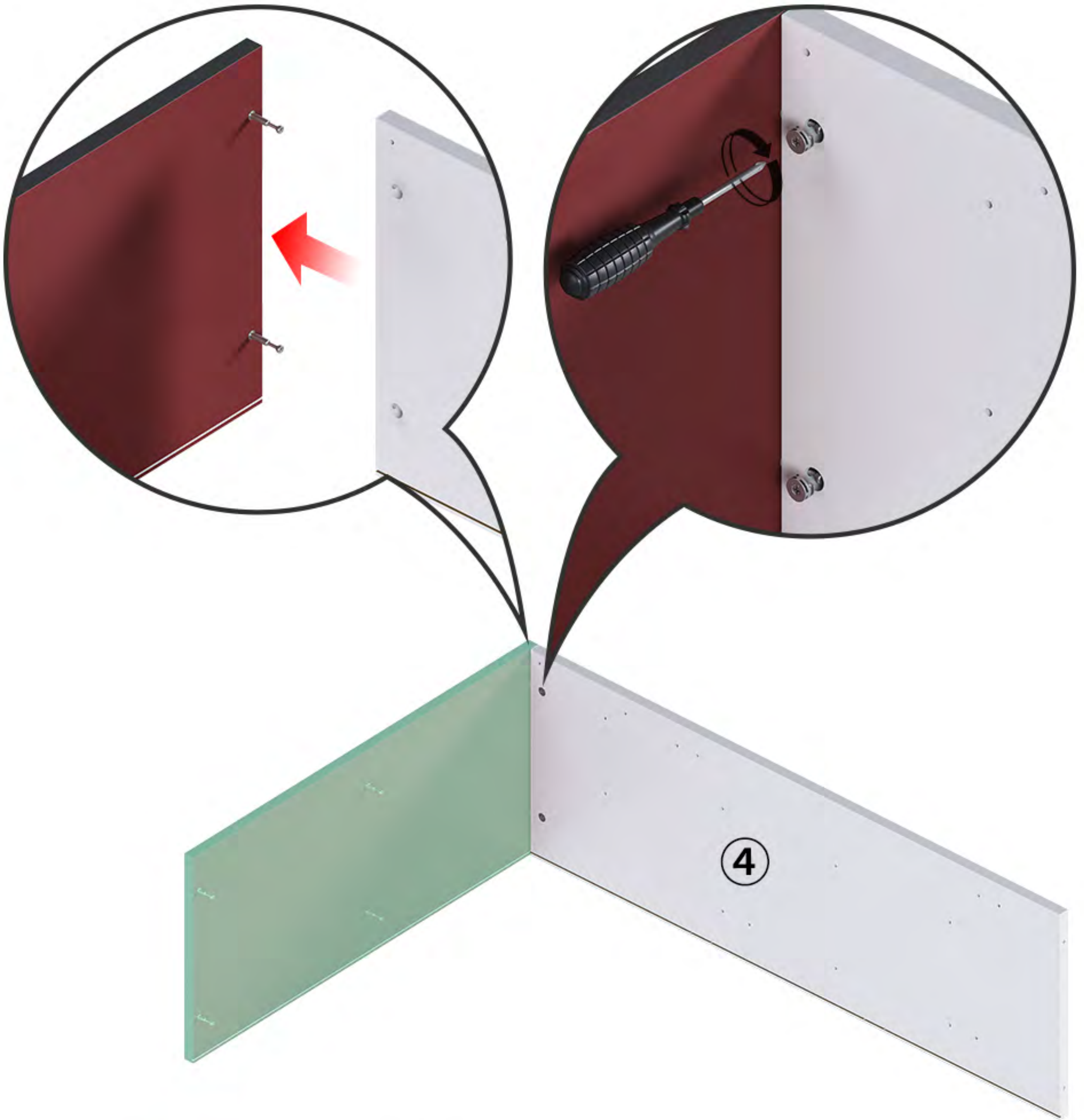


1

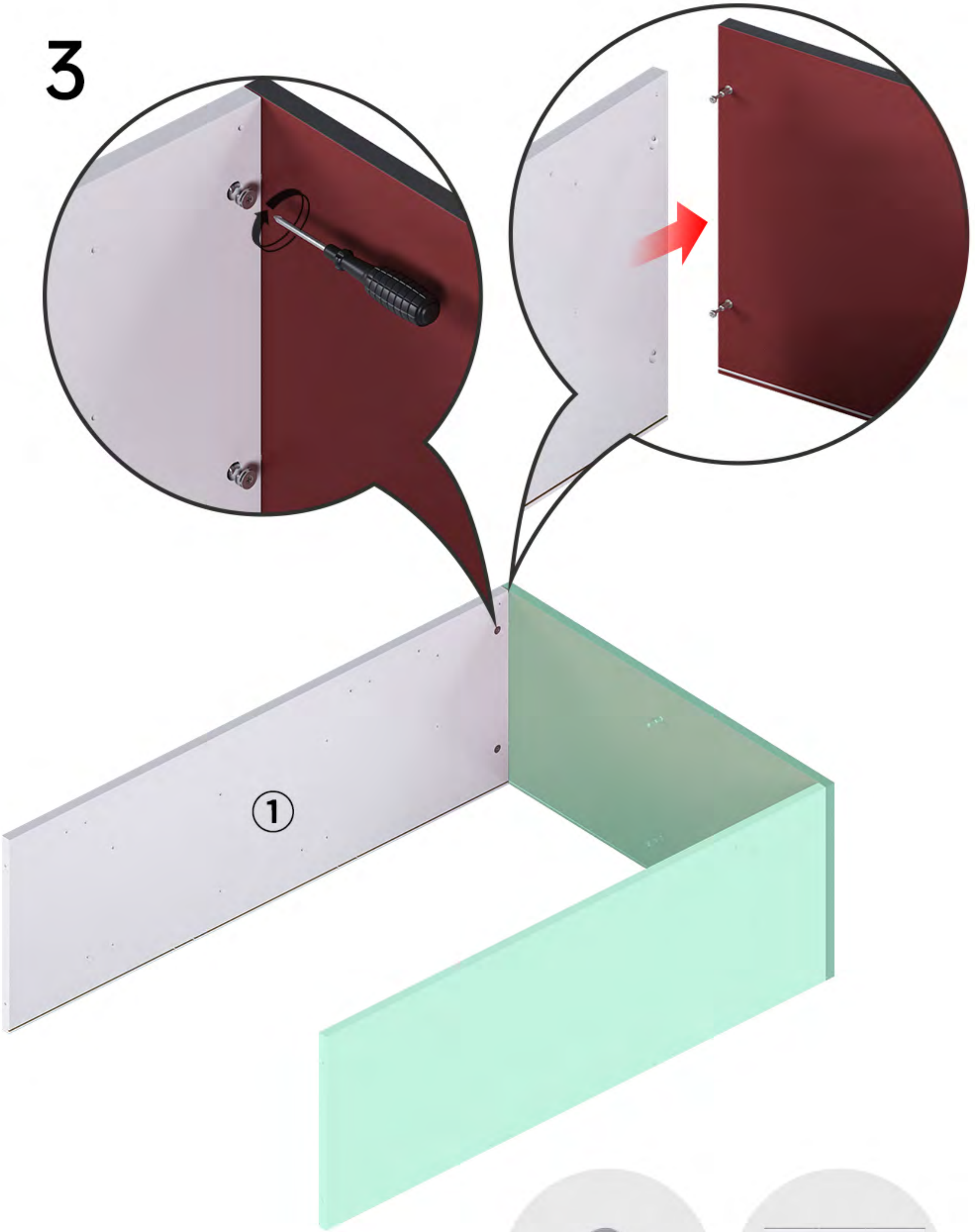




2



3



1



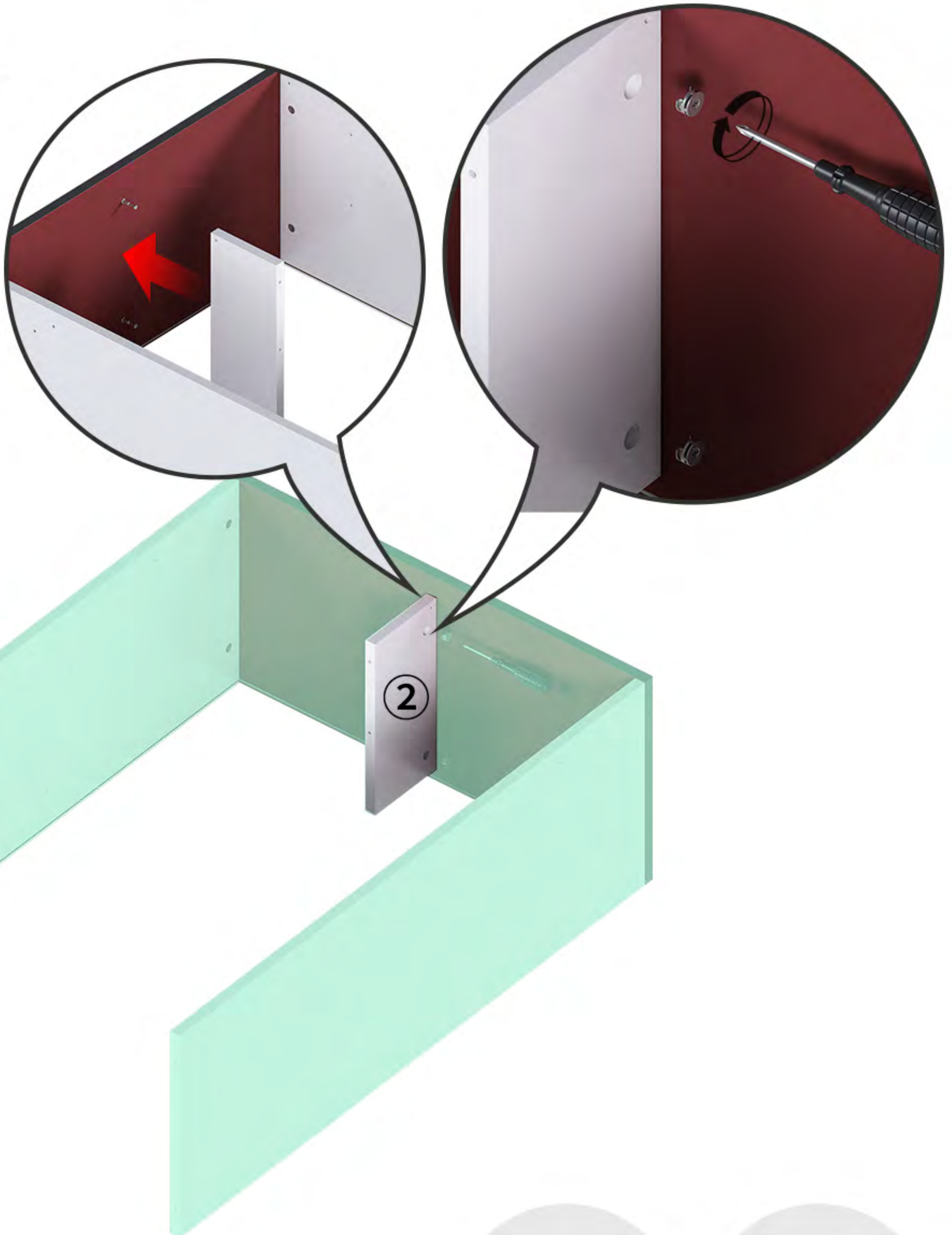
D14\*2



1

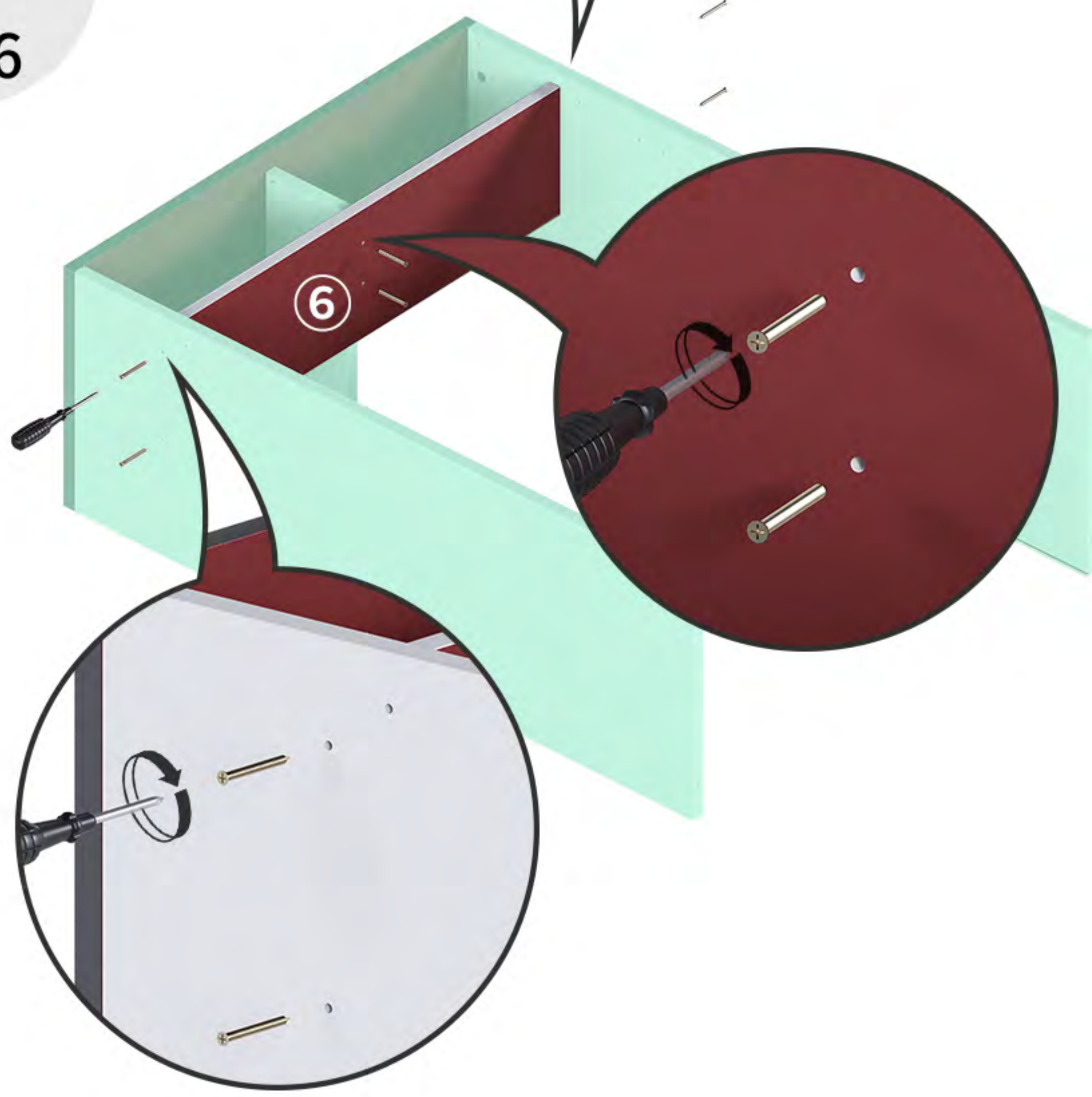
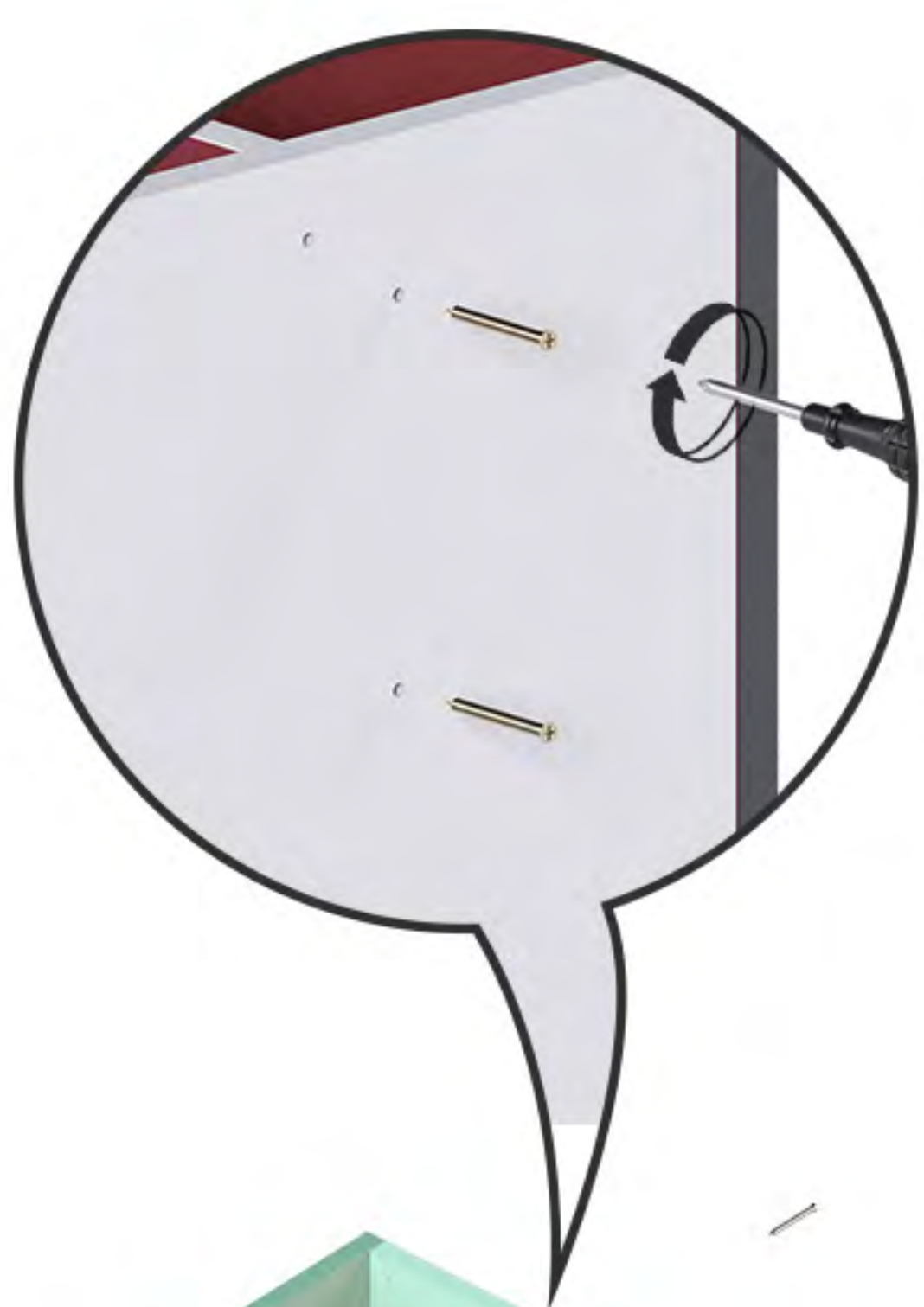


4

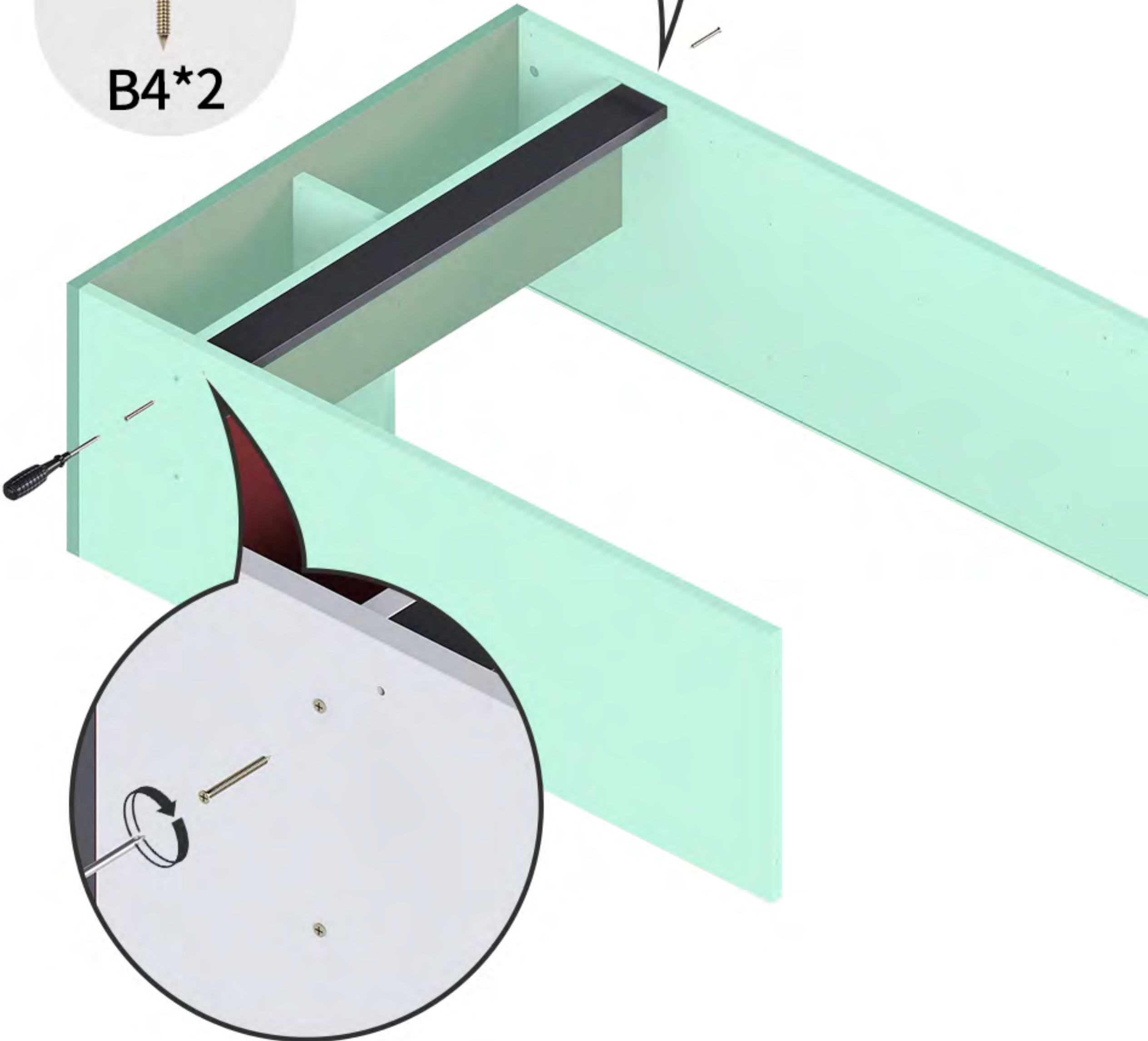
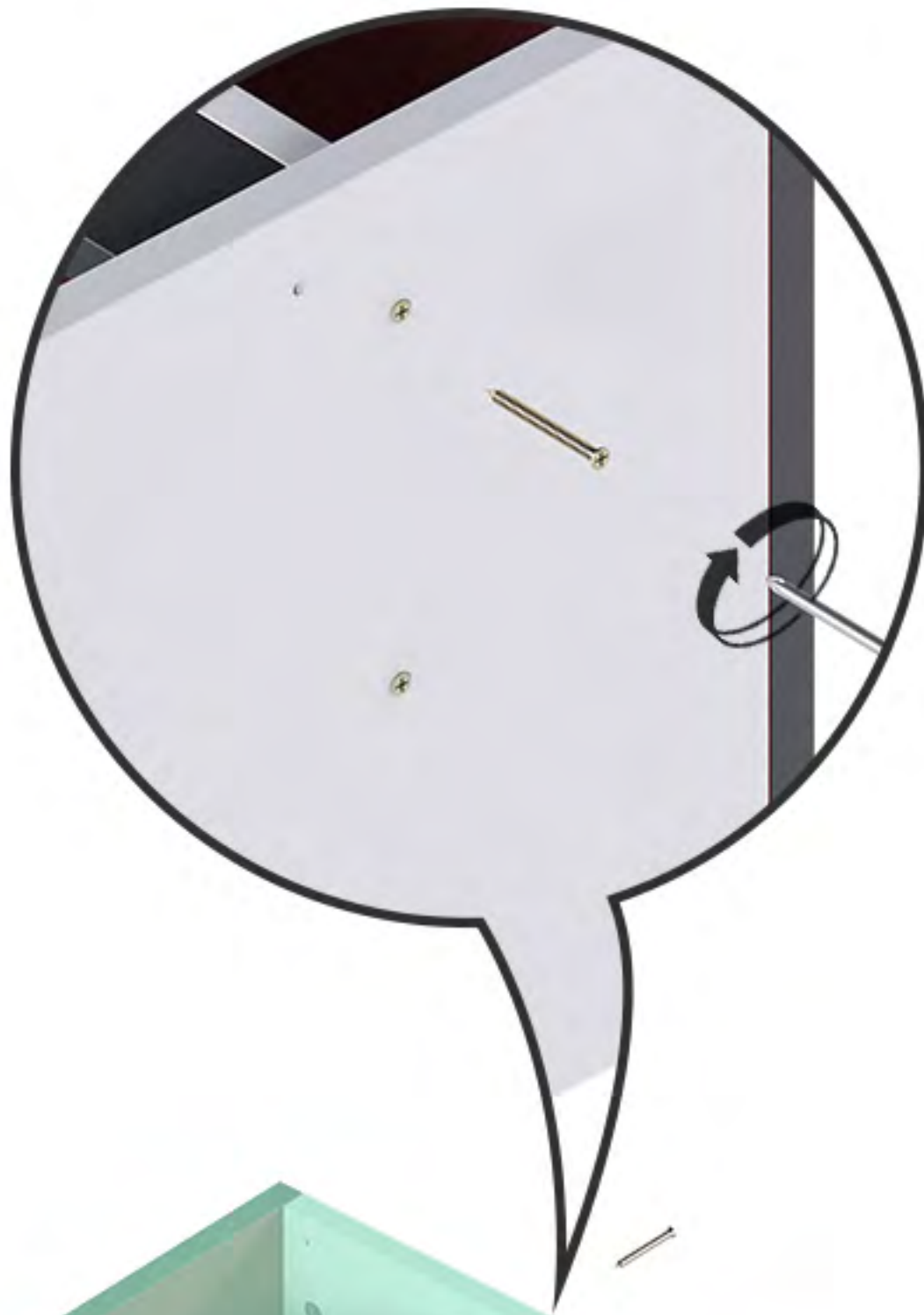




5

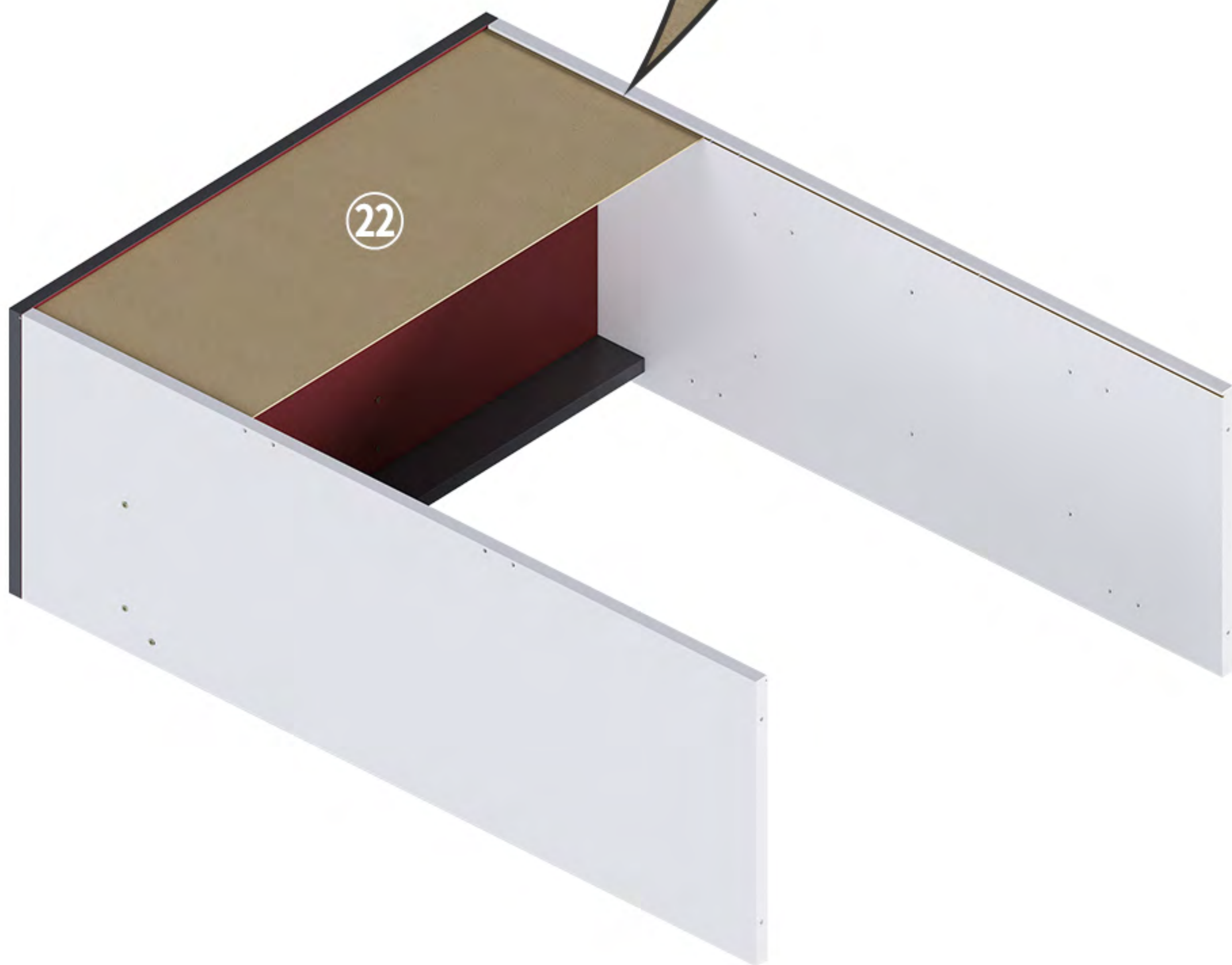
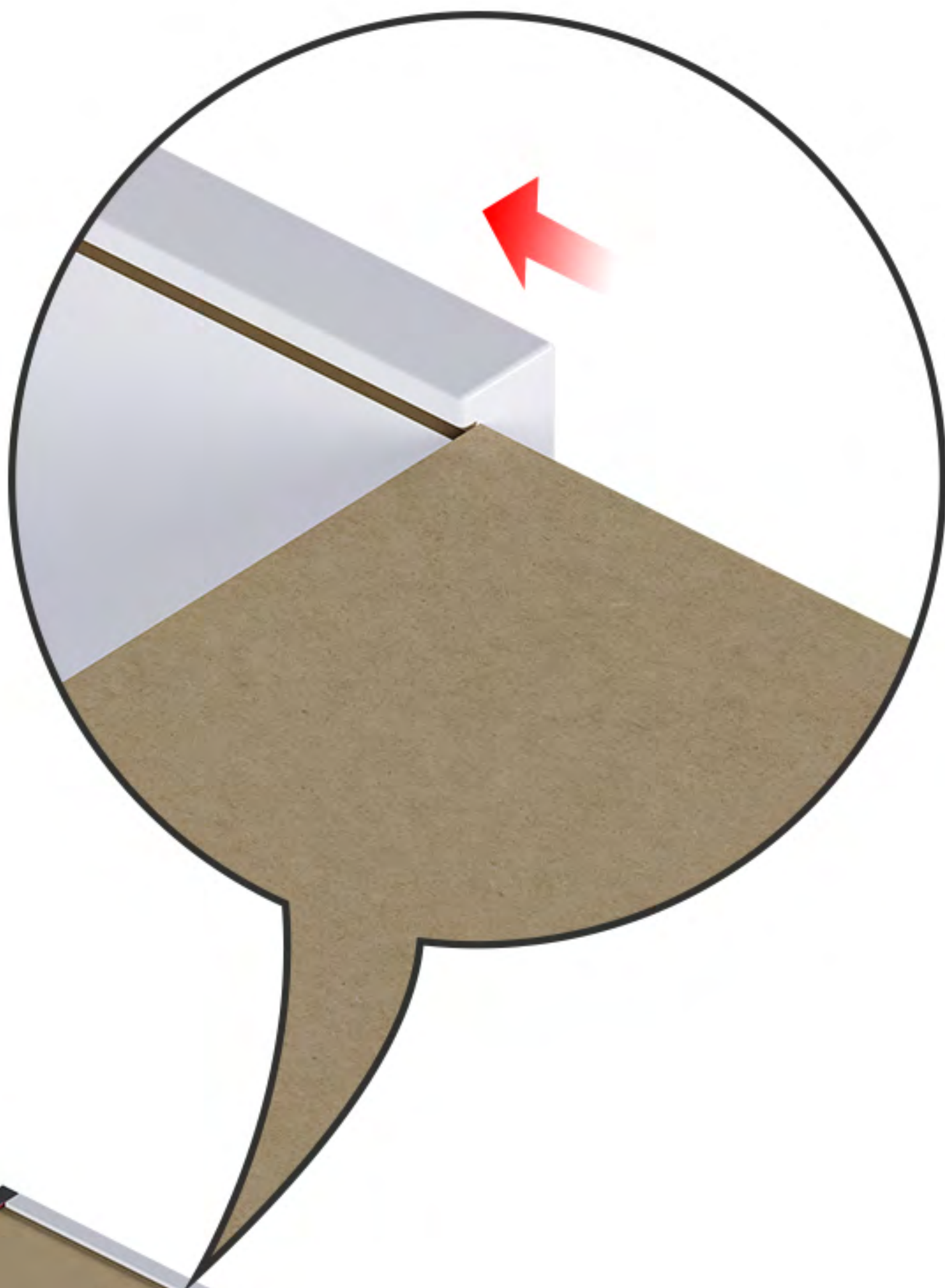


6

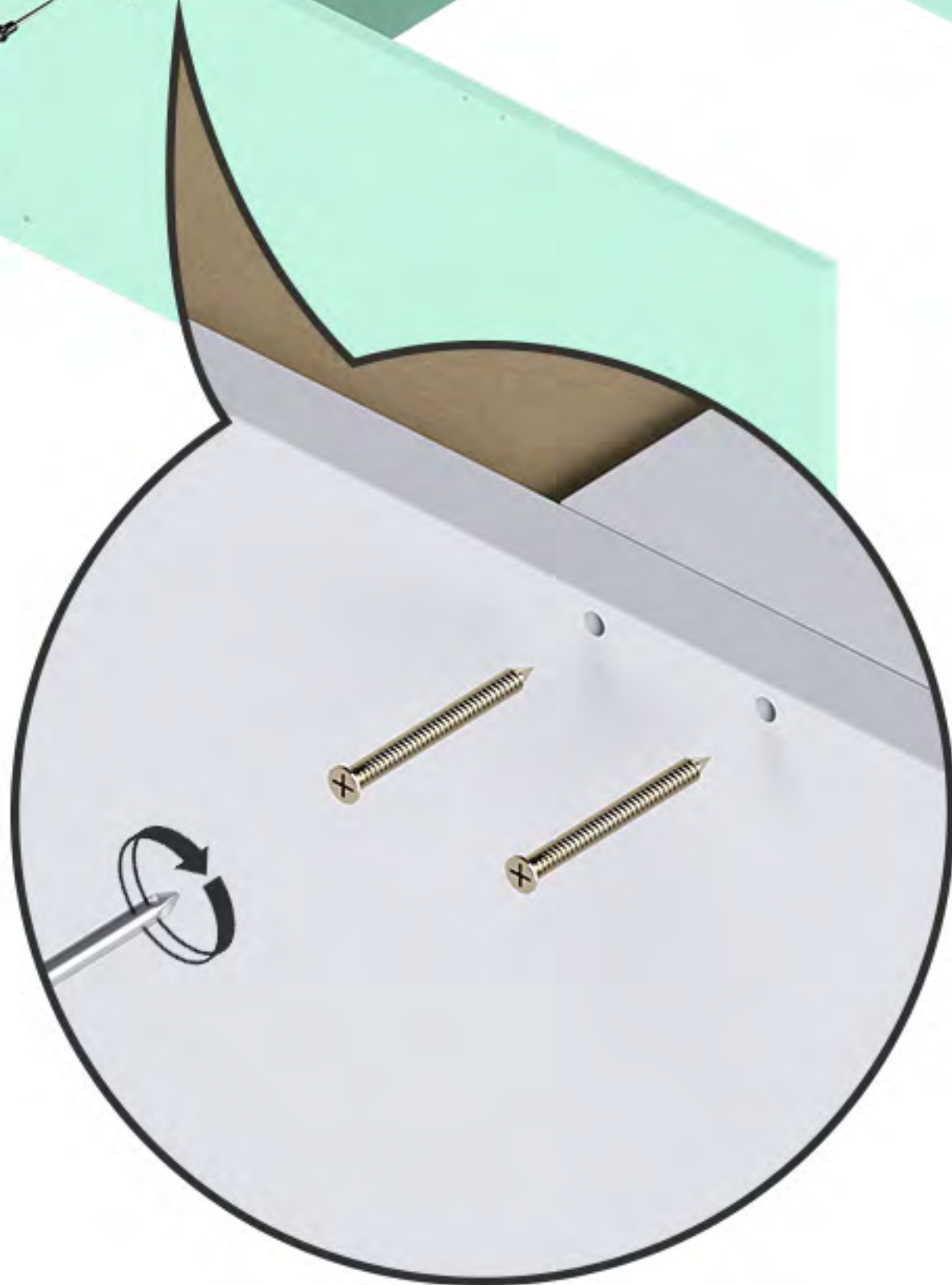
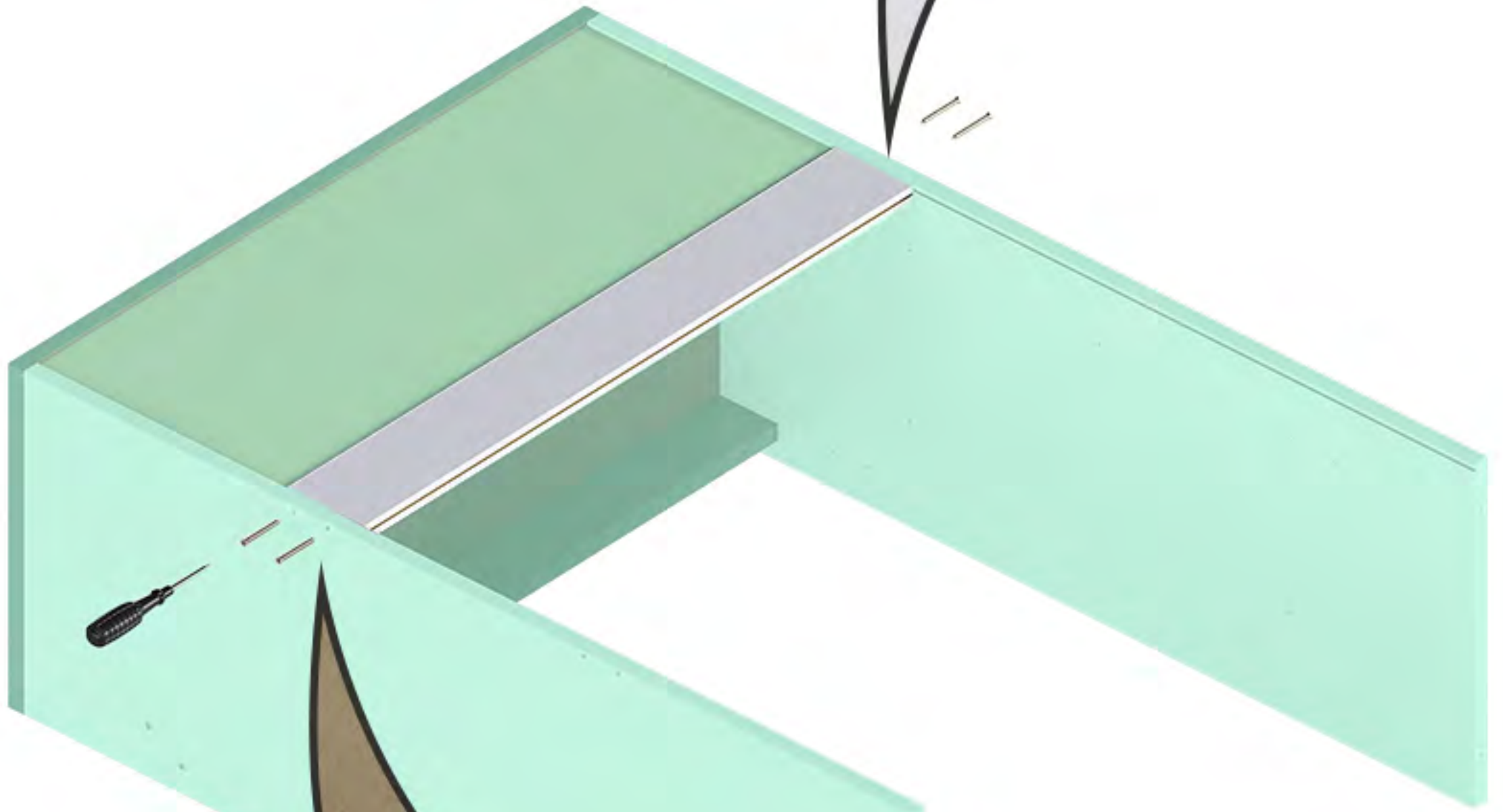
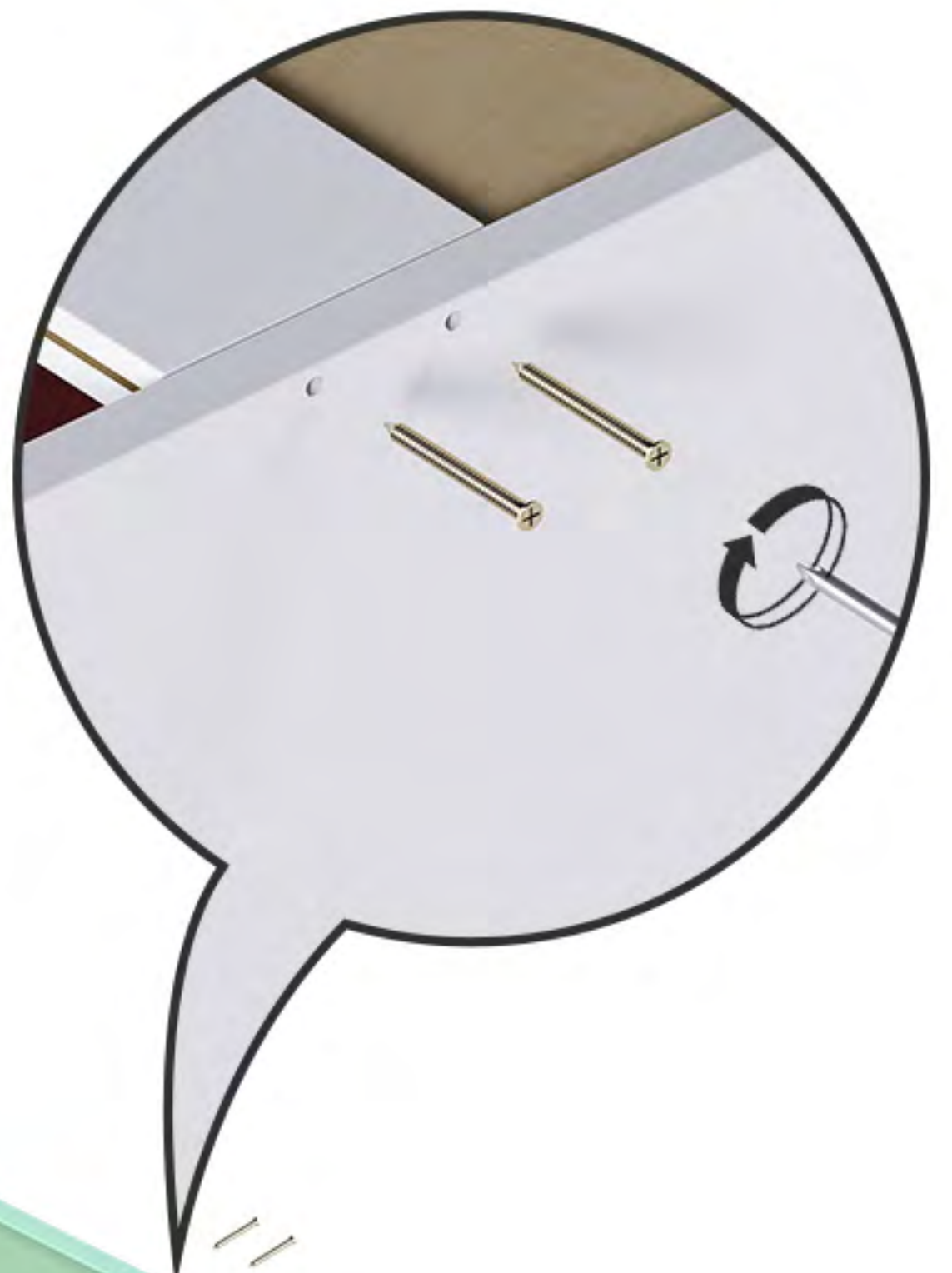




7

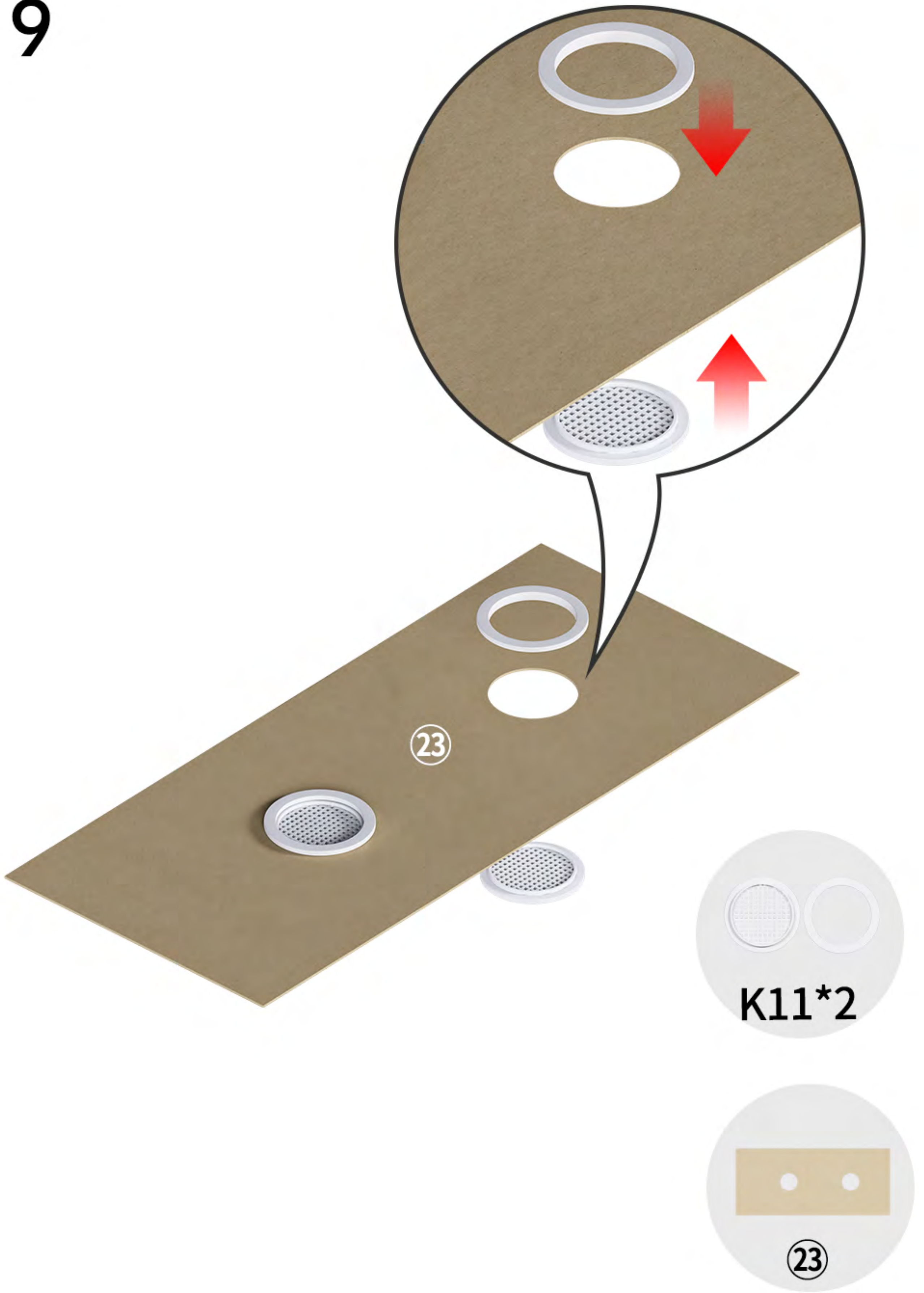


8

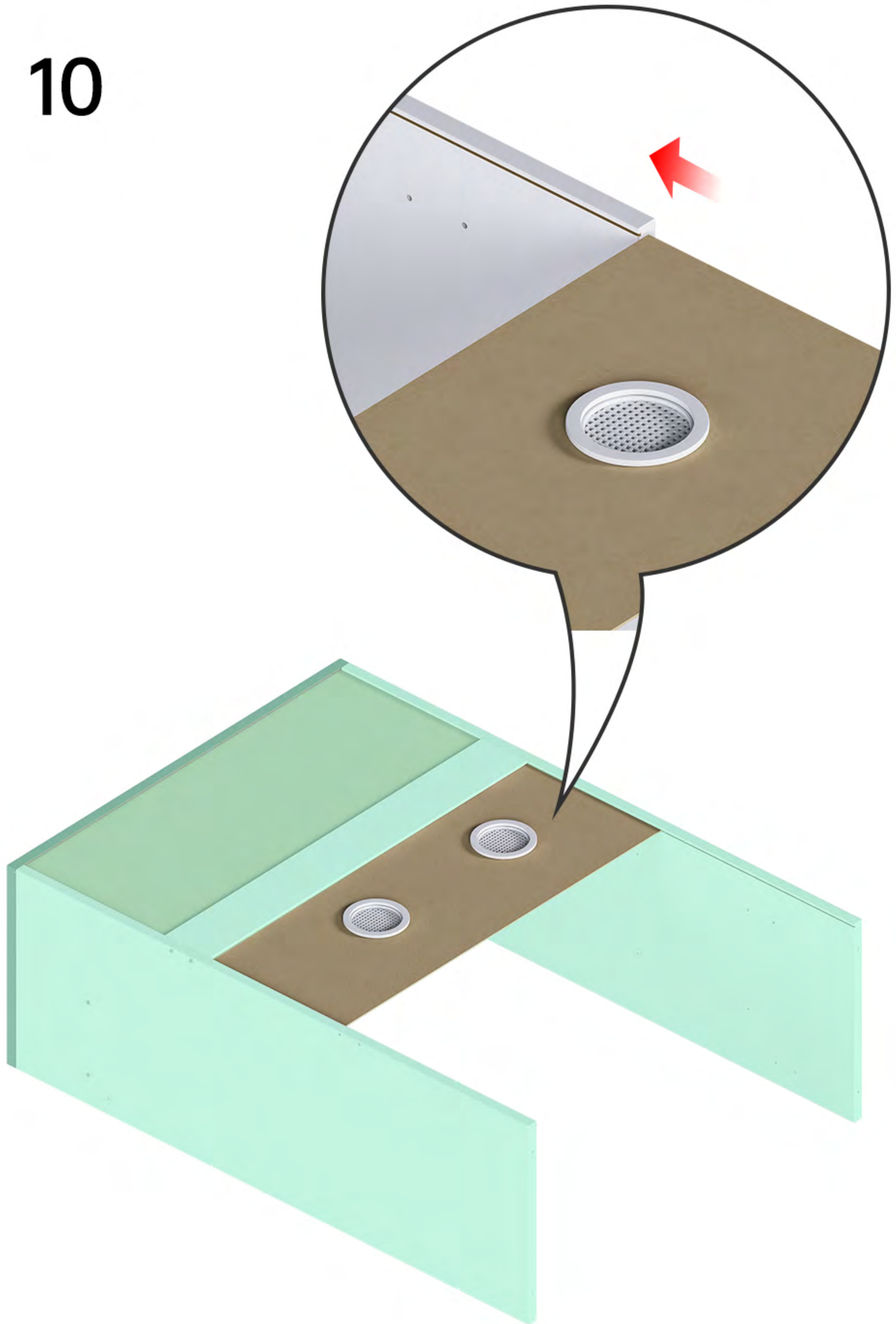




9

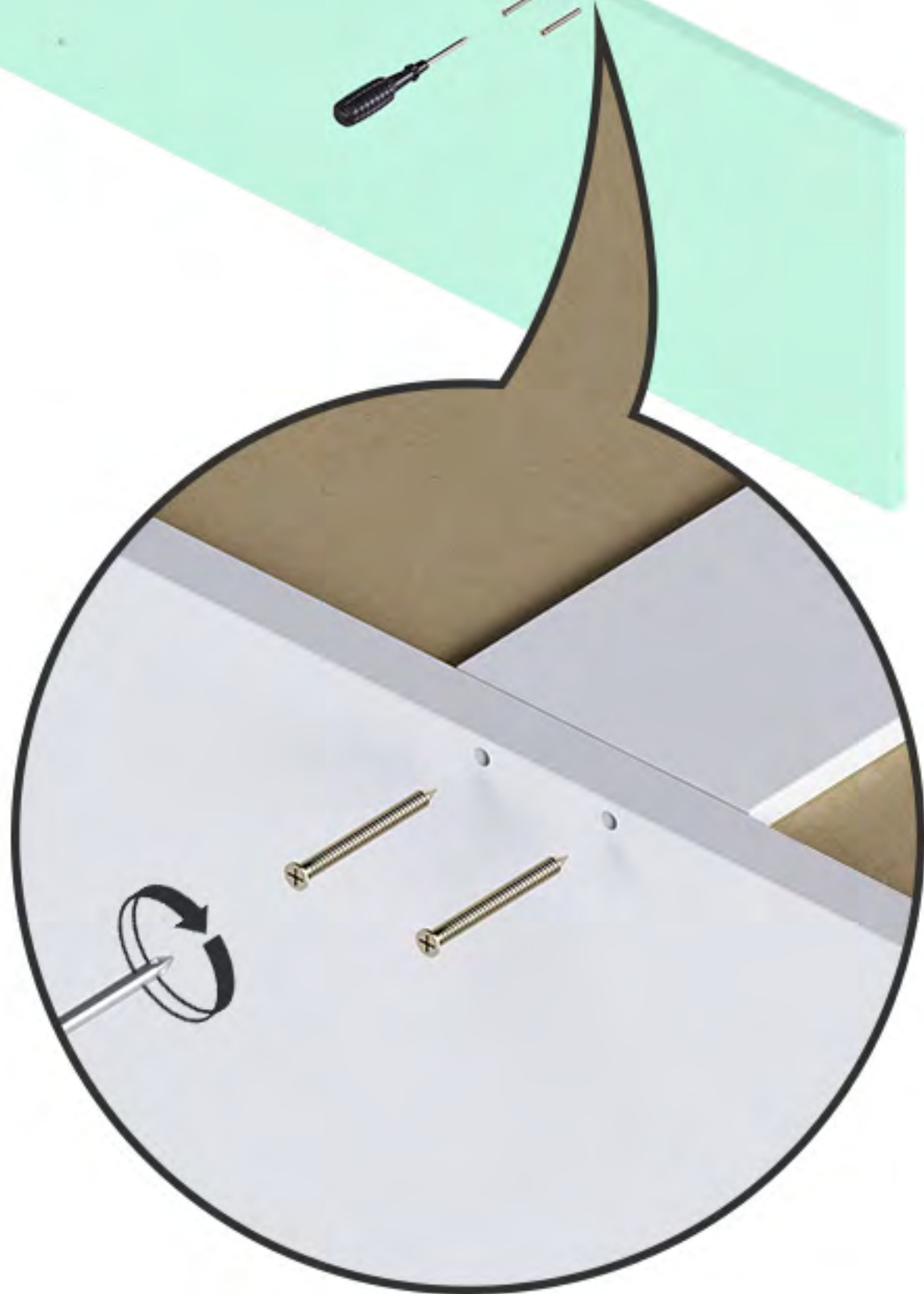
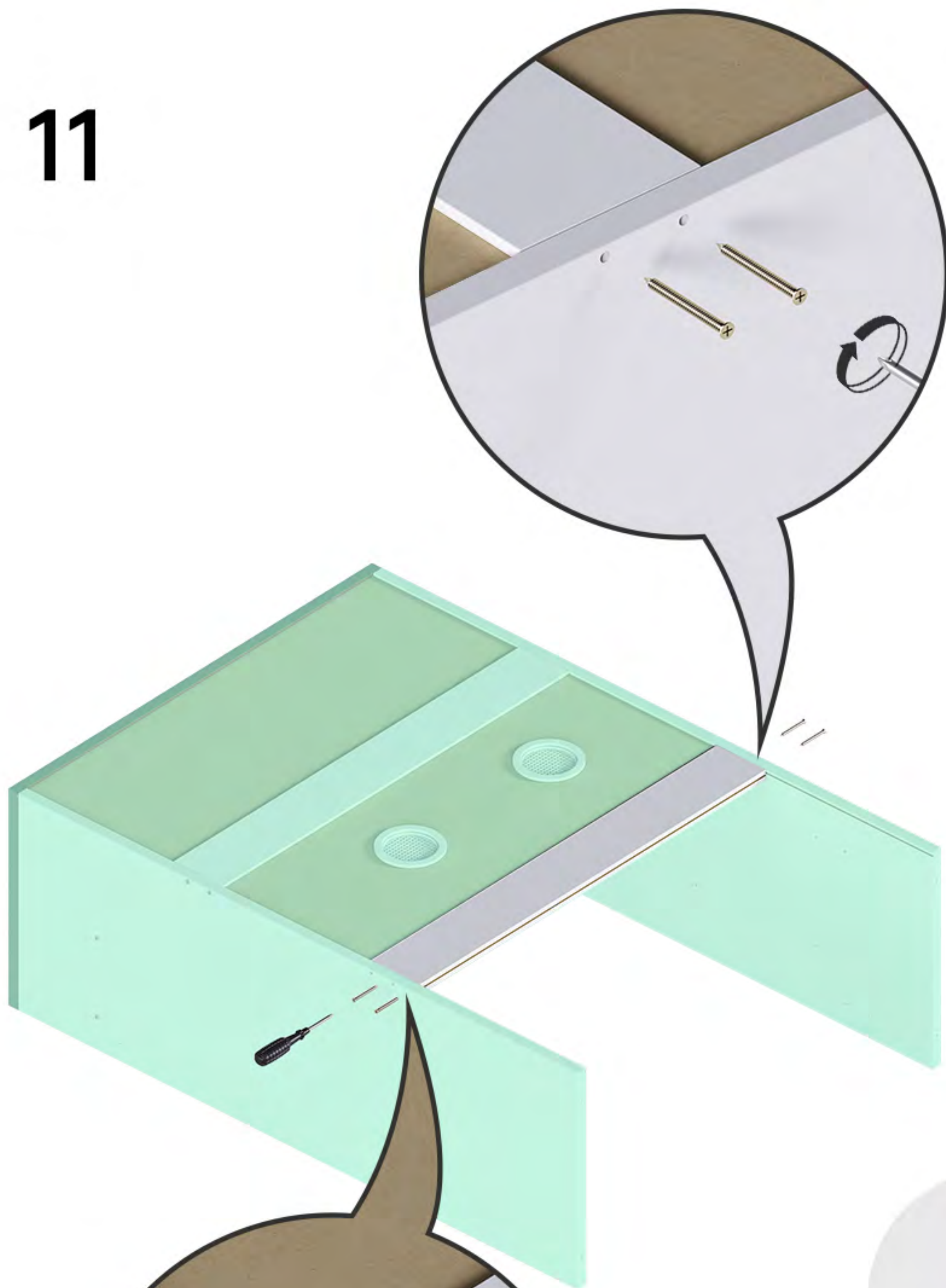


10

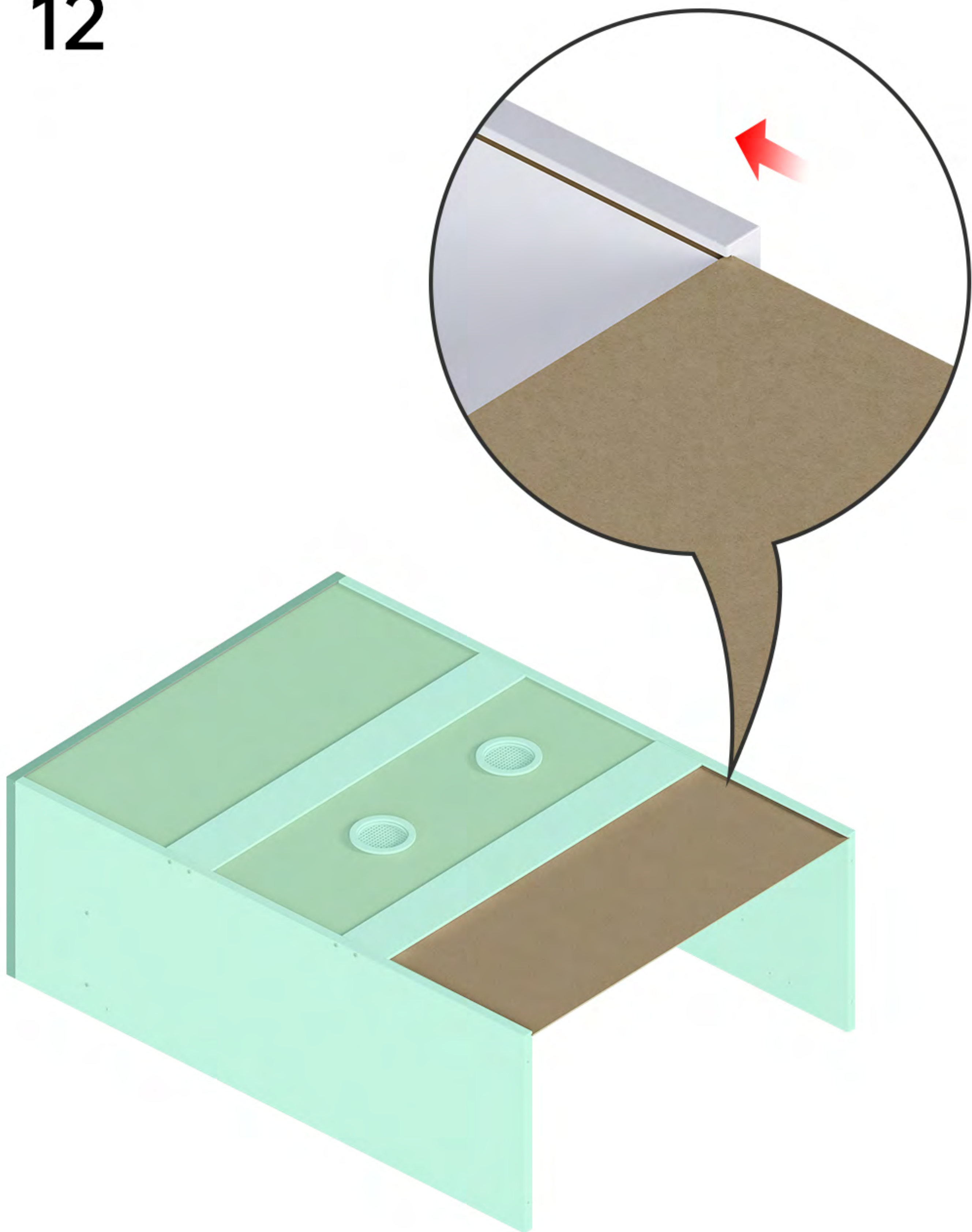




11

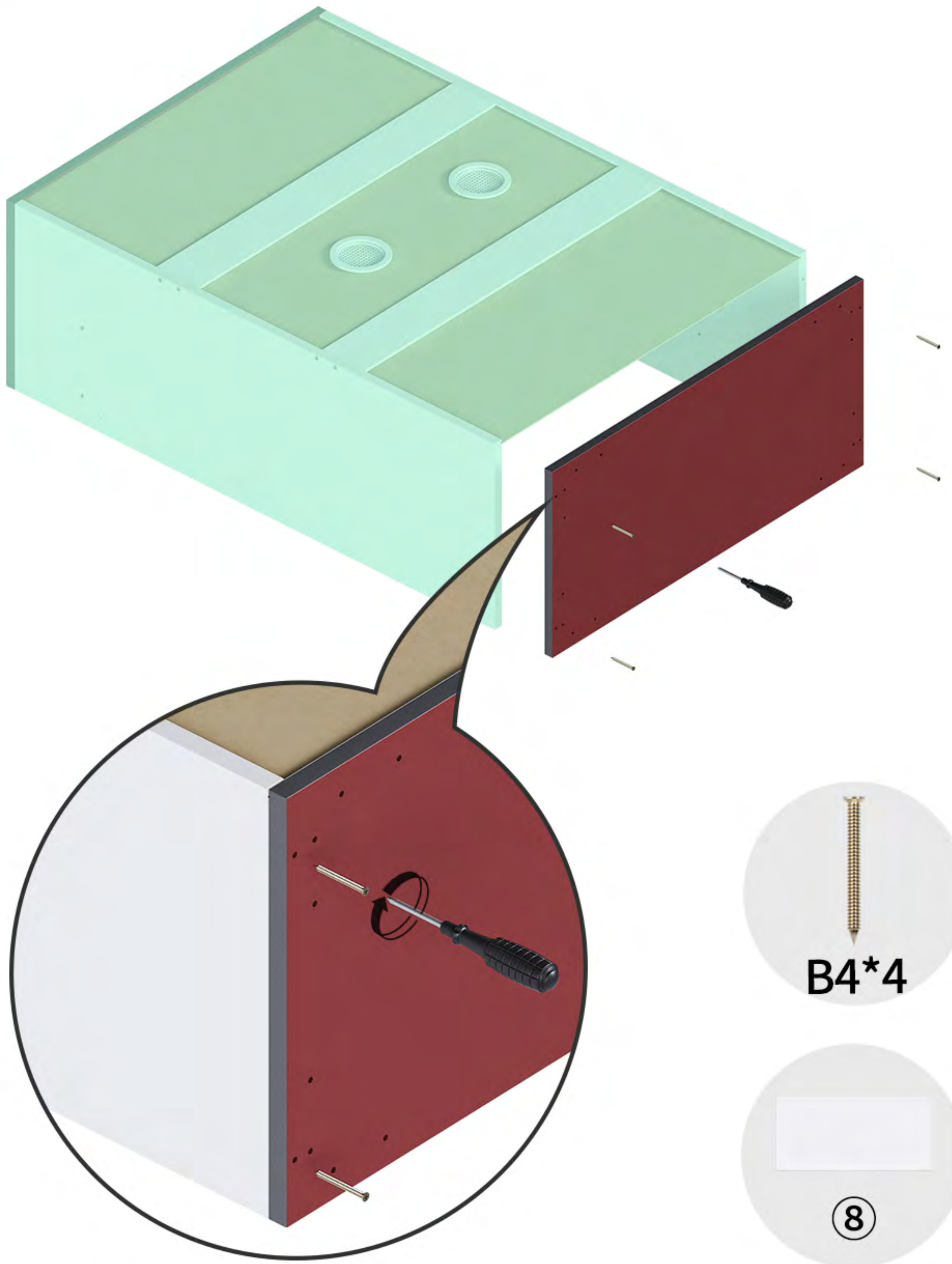


12

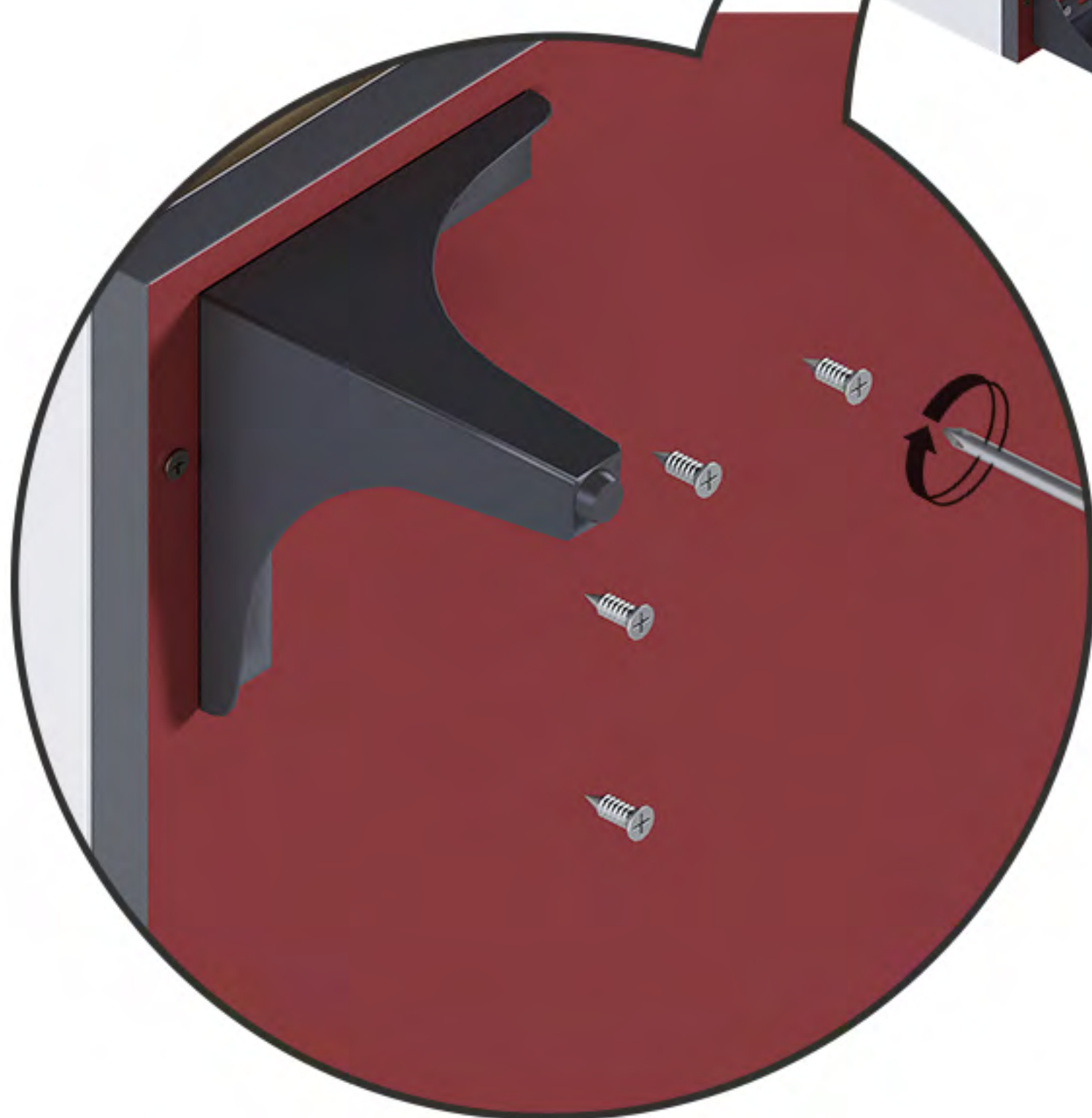
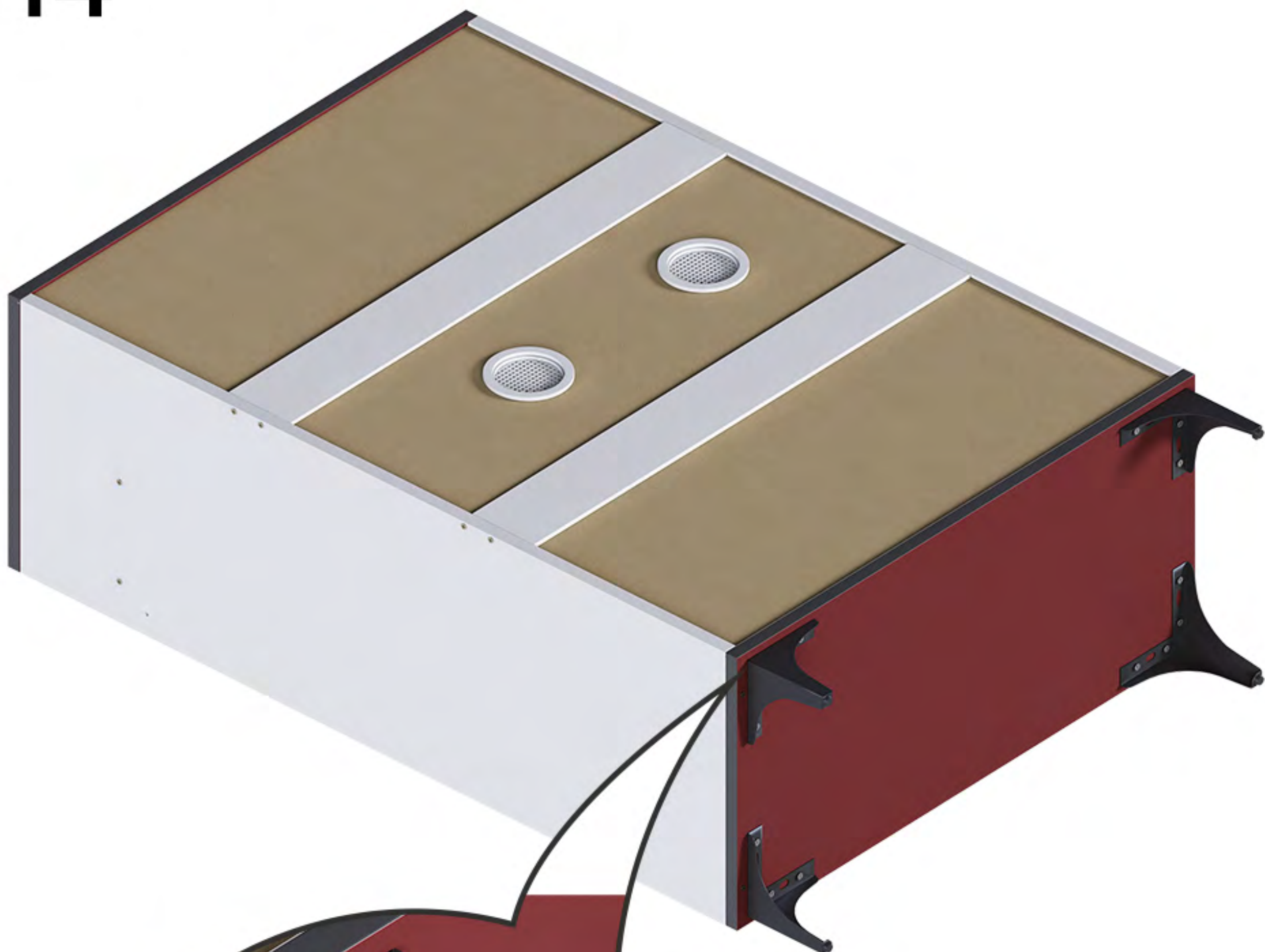




13

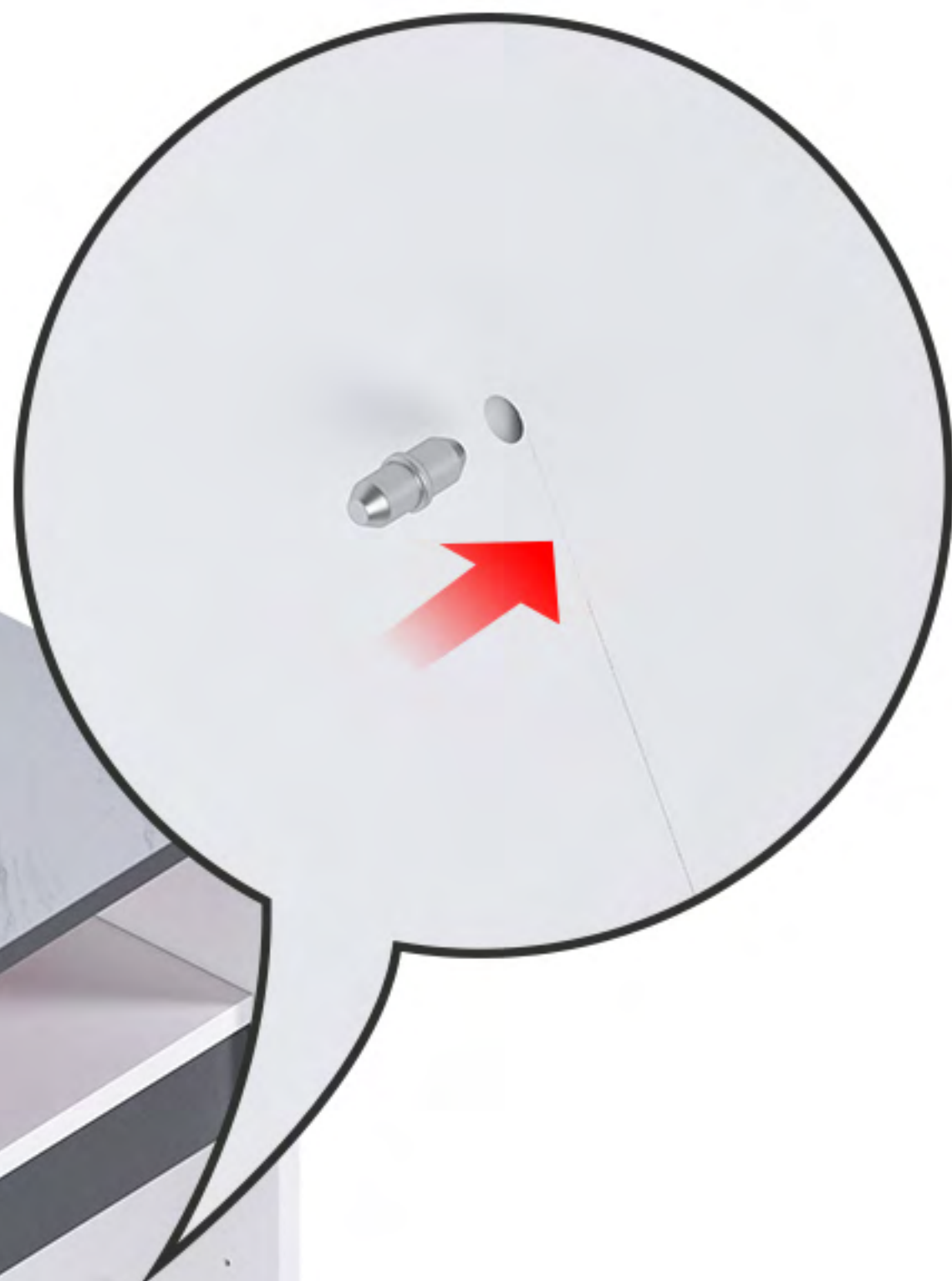


14

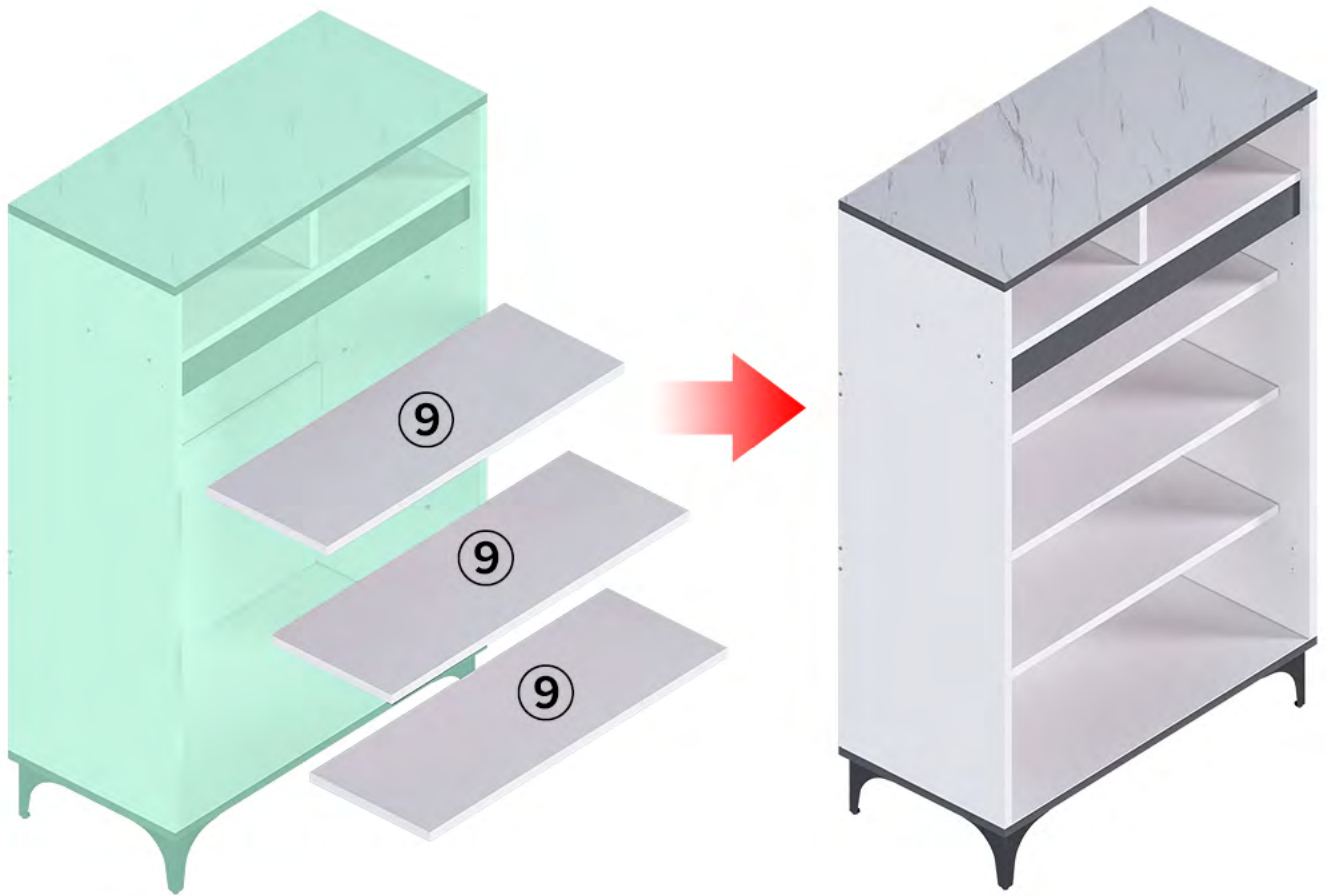




15

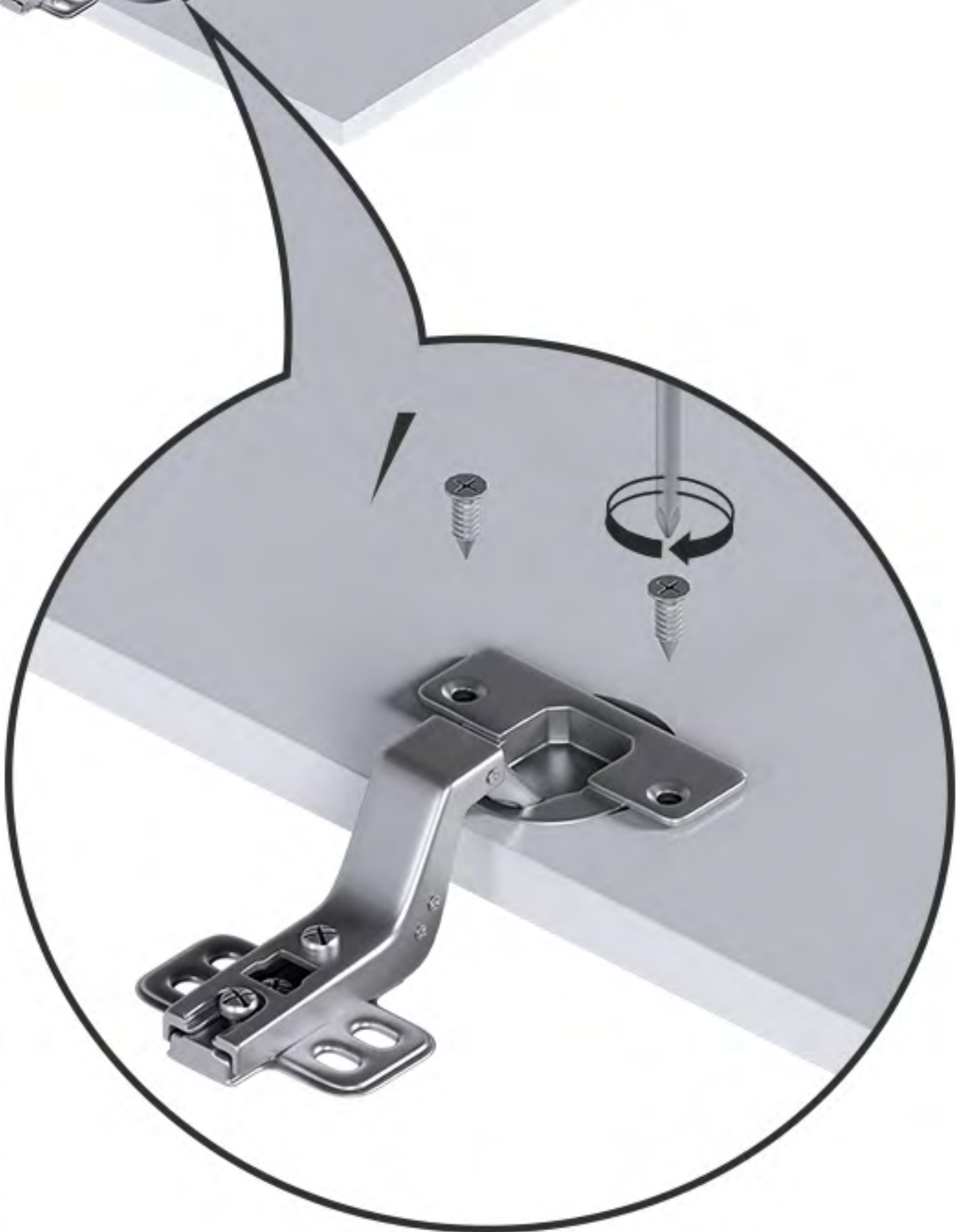


16

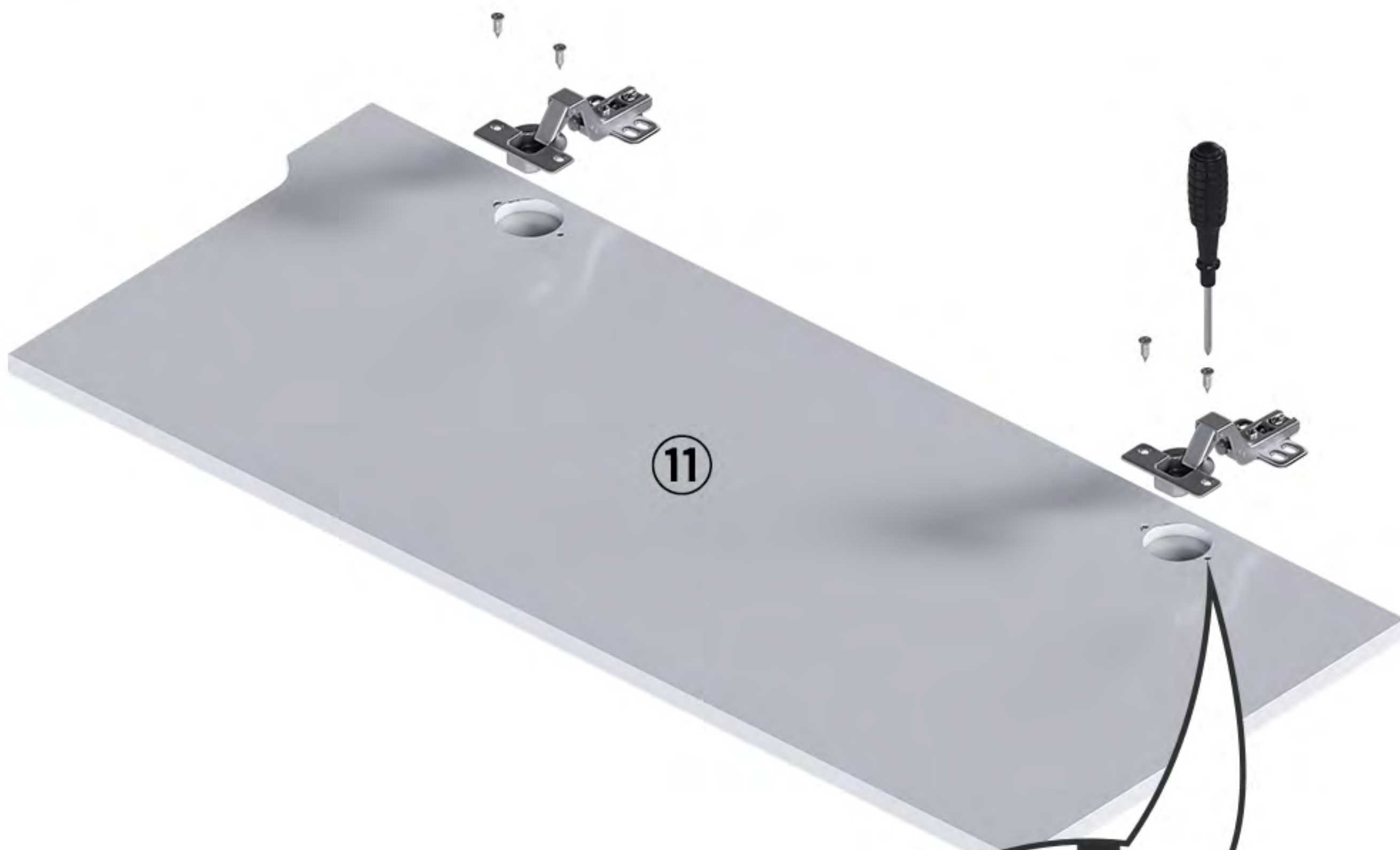




# 17



# 18





Door panel hinge adjustment installation example:

Door panels are uneven:

Loosen the screw pointed by the screwdriver in Figure 1, then adjust the position of the door panel up and down until it is flush, then tighten the screws, and then tighten the two screws on the side.

The front and rear door gaps are too large:

The screw pointed by the screwdriver in Figure 2 is used to adjust the front and rear door seams. After loosening, adjust the position until it is flush, and then tighten it.

The left and right door gaps are too large:

The screw pointed by the screwdriver in Figure 3 is used to adjust the left and right door gaps. Clockwise will increase the door gap, and counterclockwise will decrease the door gap.



Picture 1



Picture 2



Picture 3

19



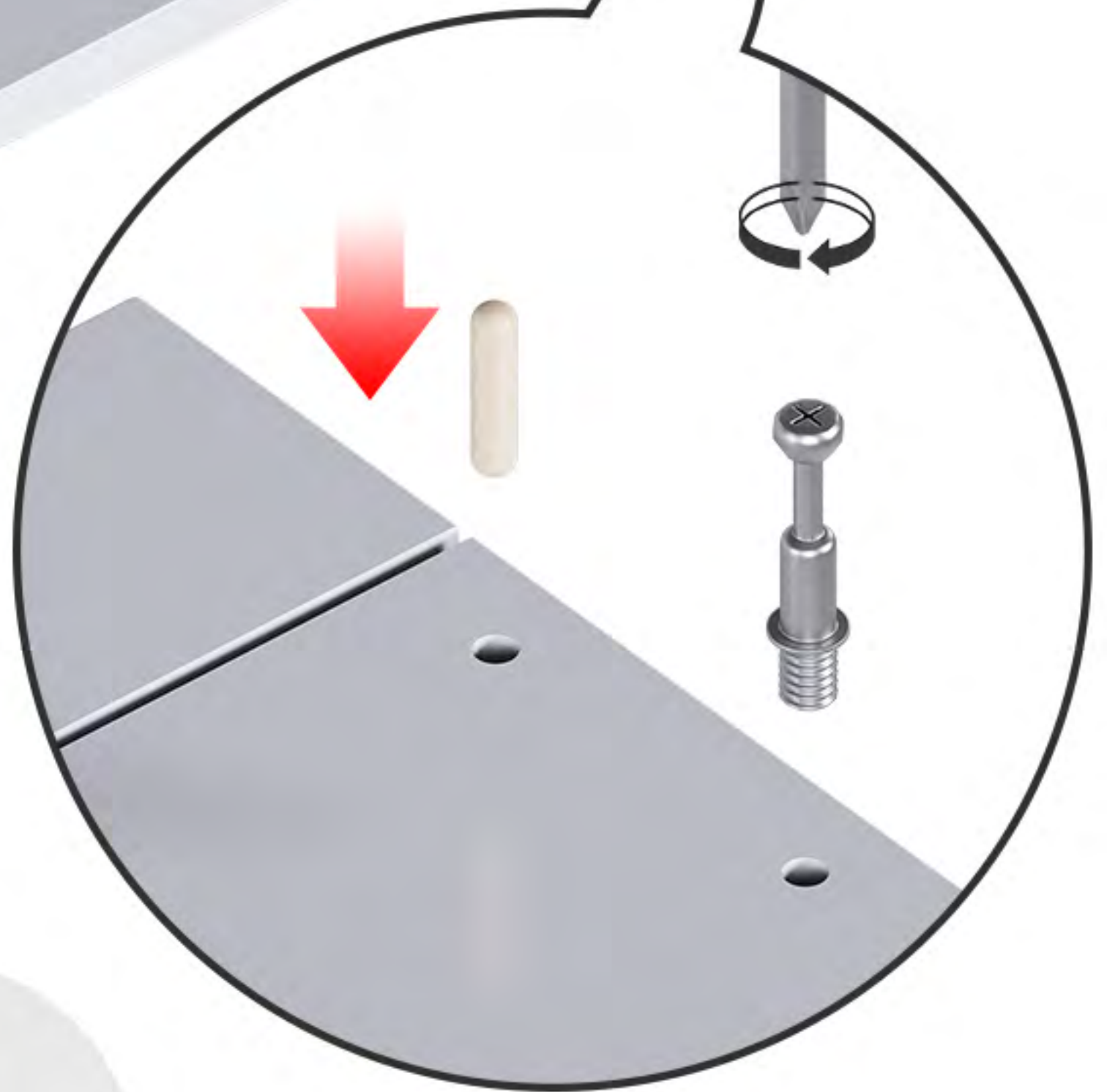
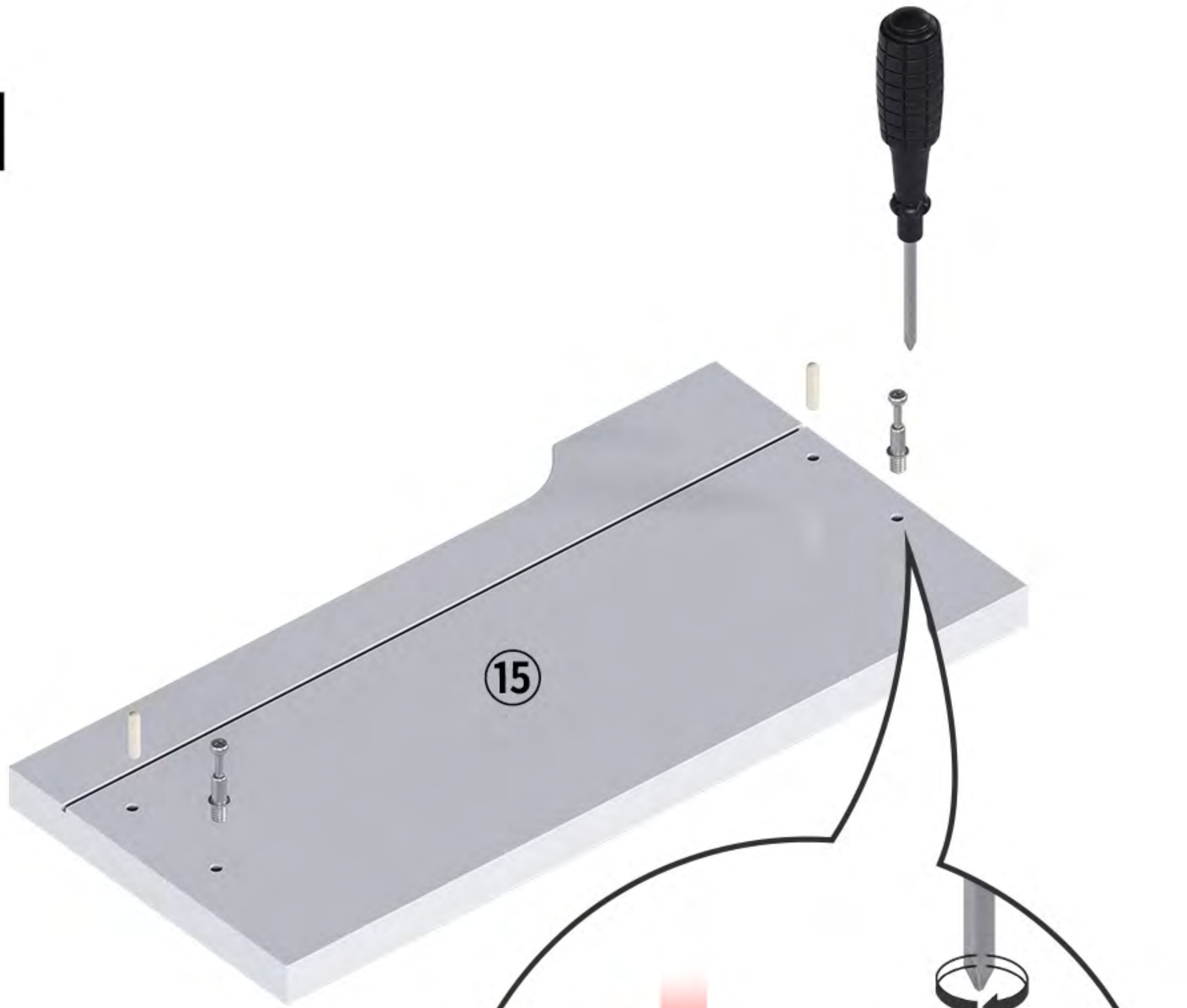
A1\*4



20

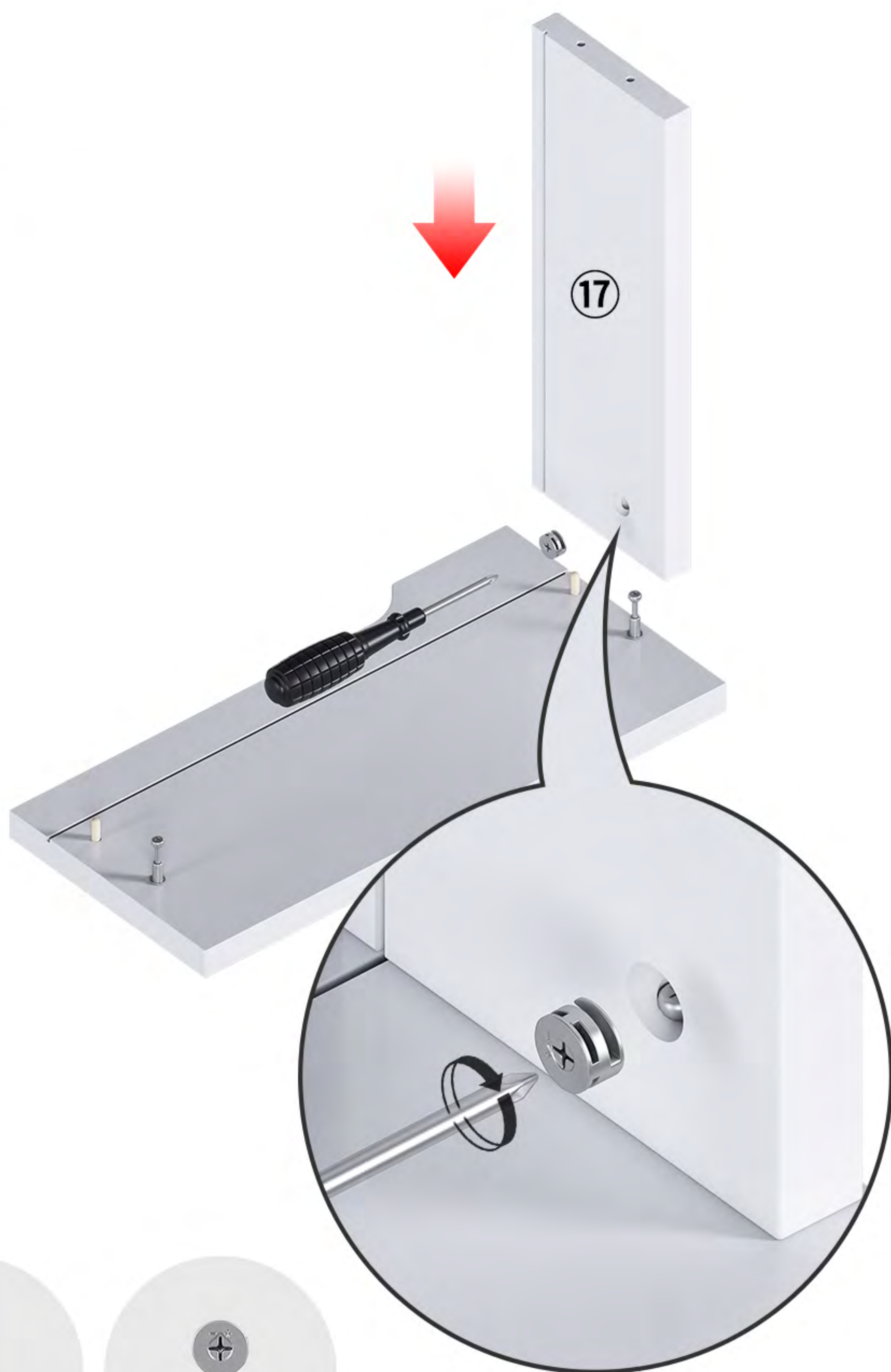


21





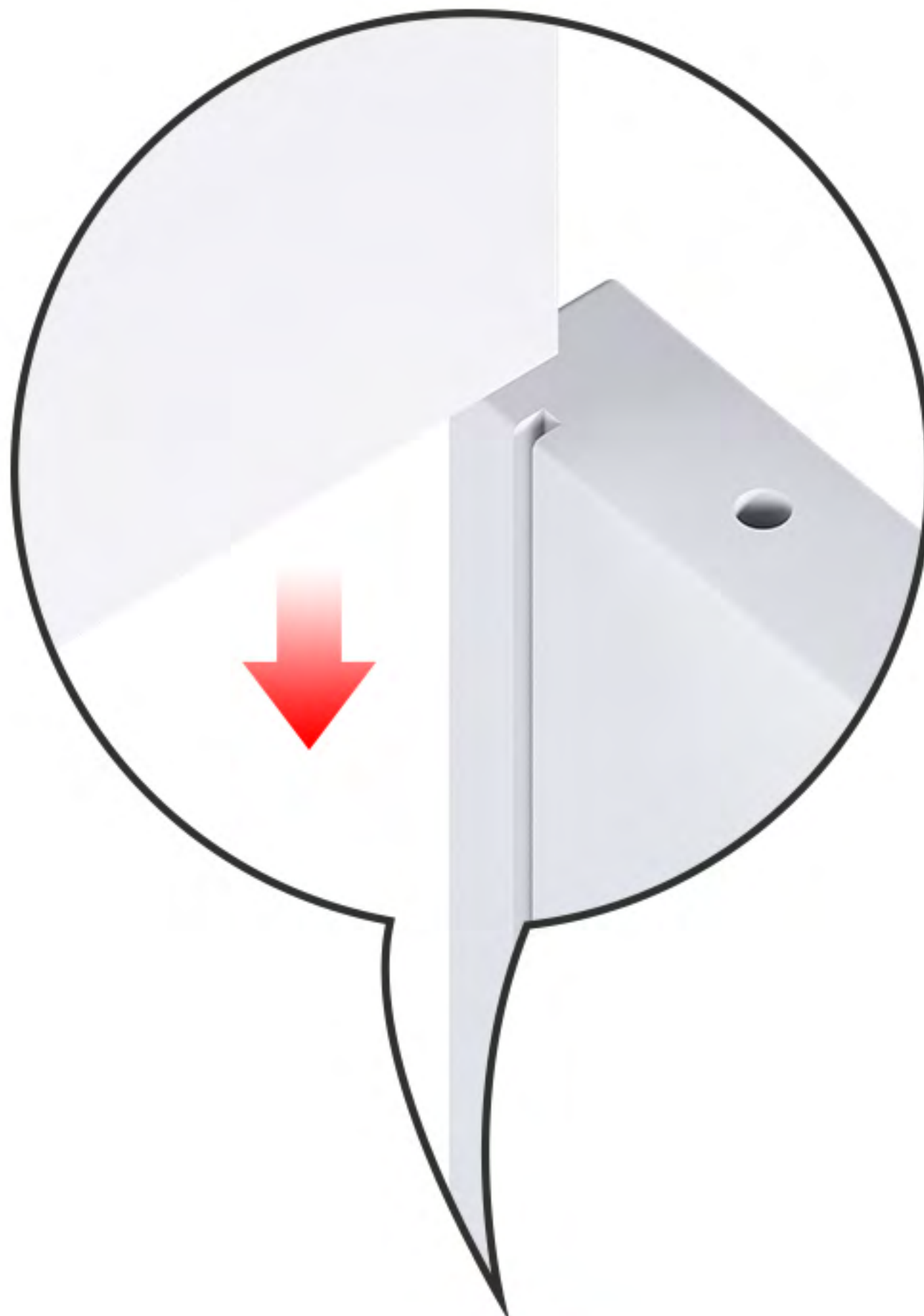
22



17

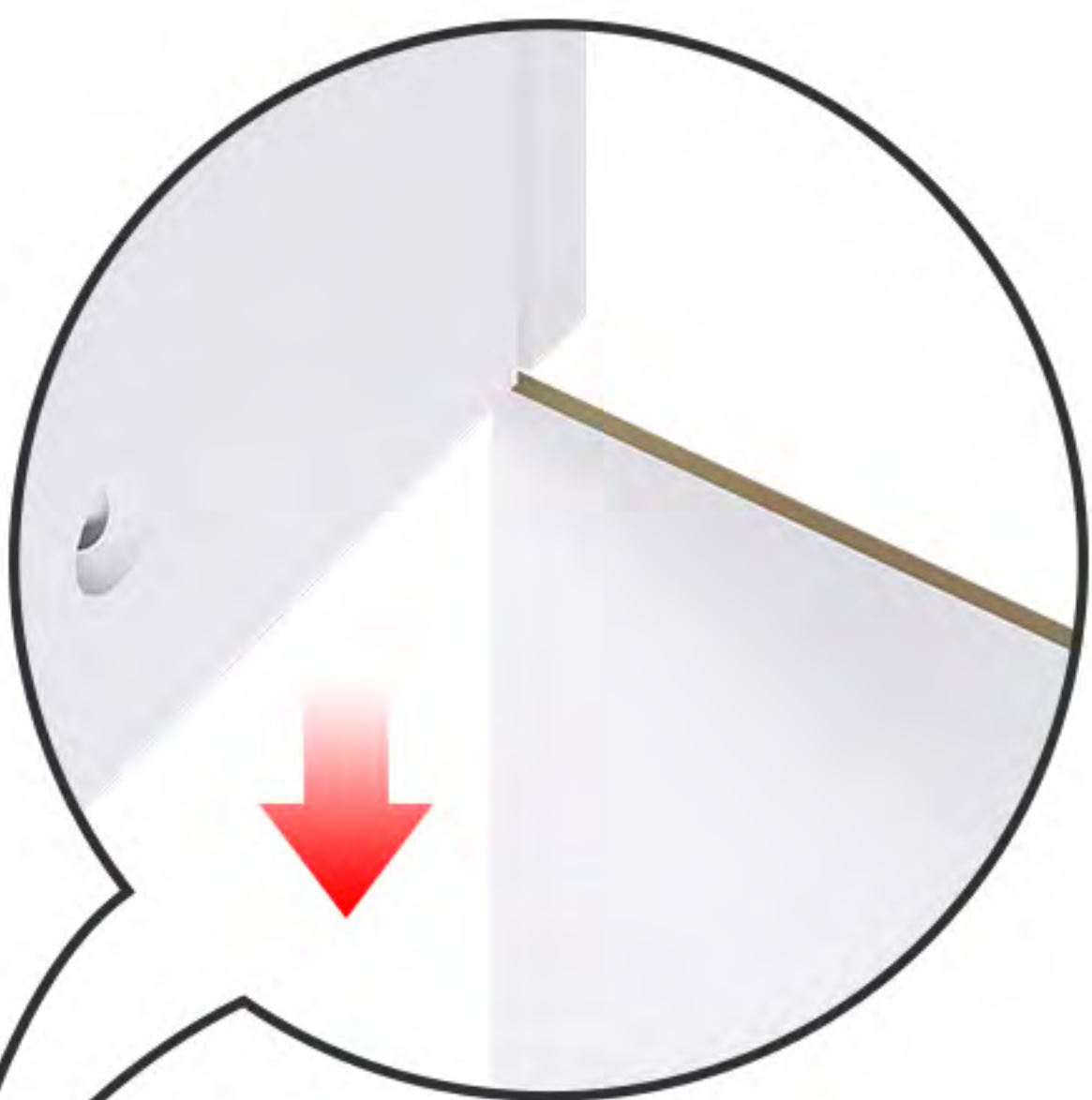
D14

23

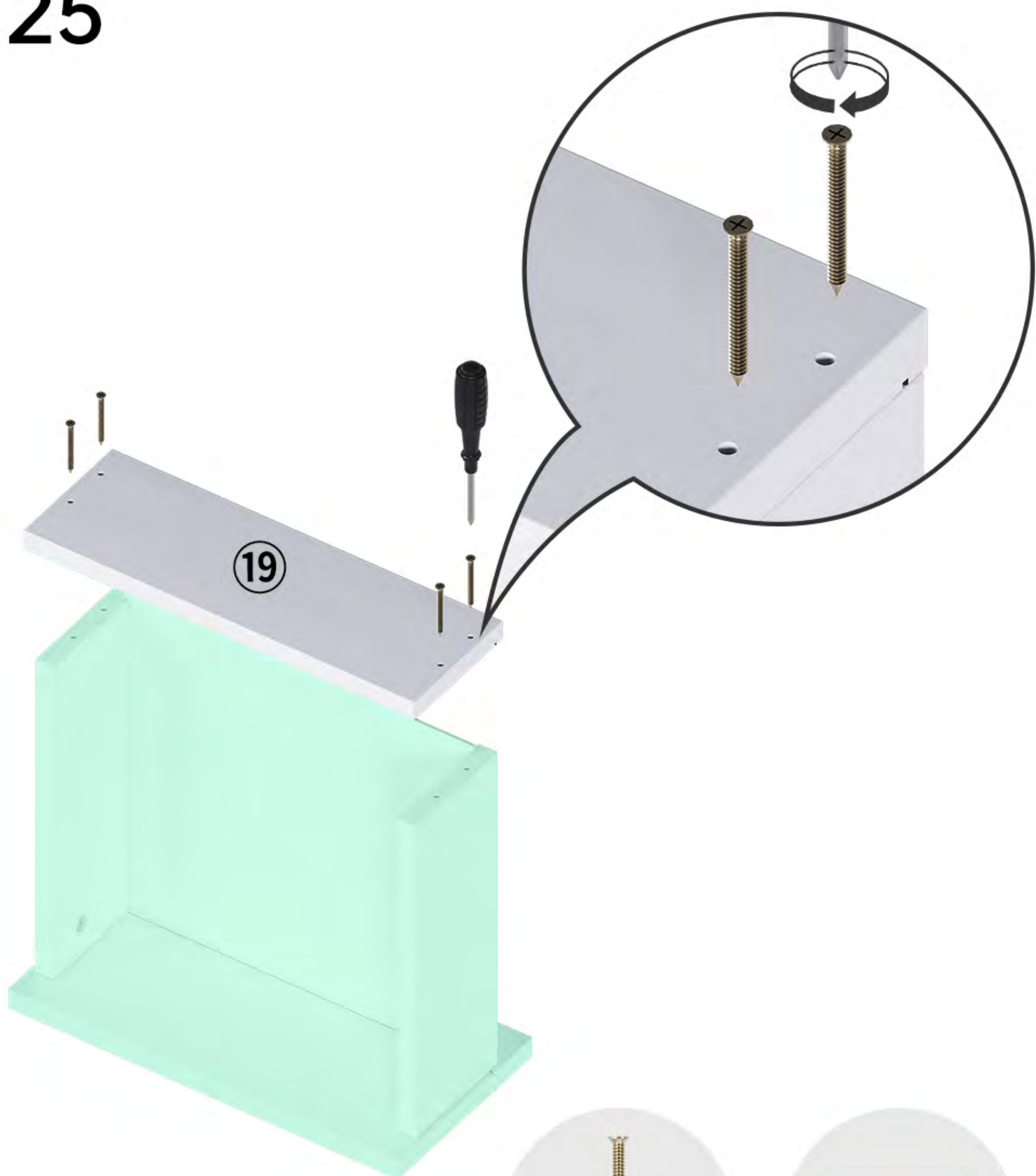




24

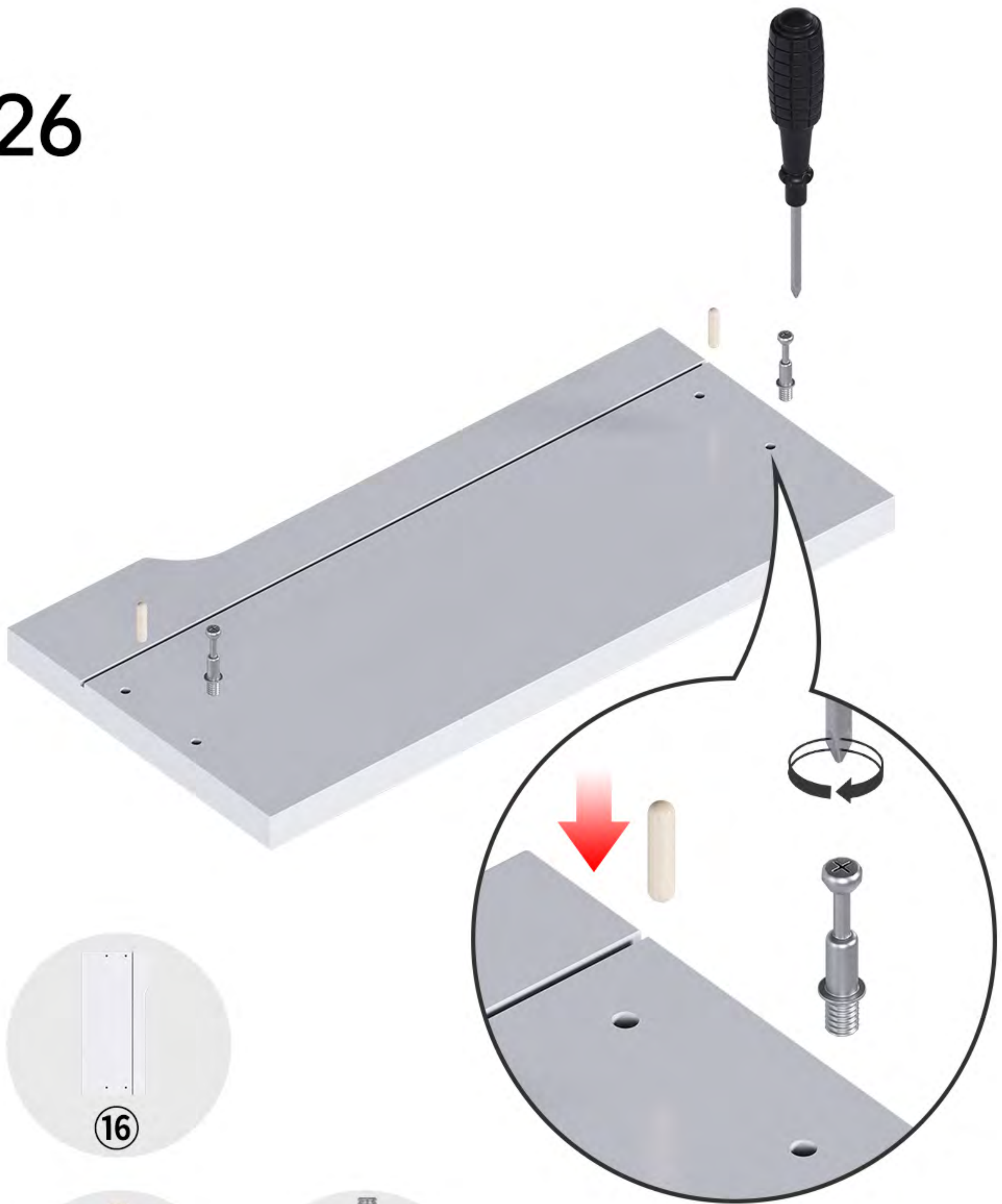


25

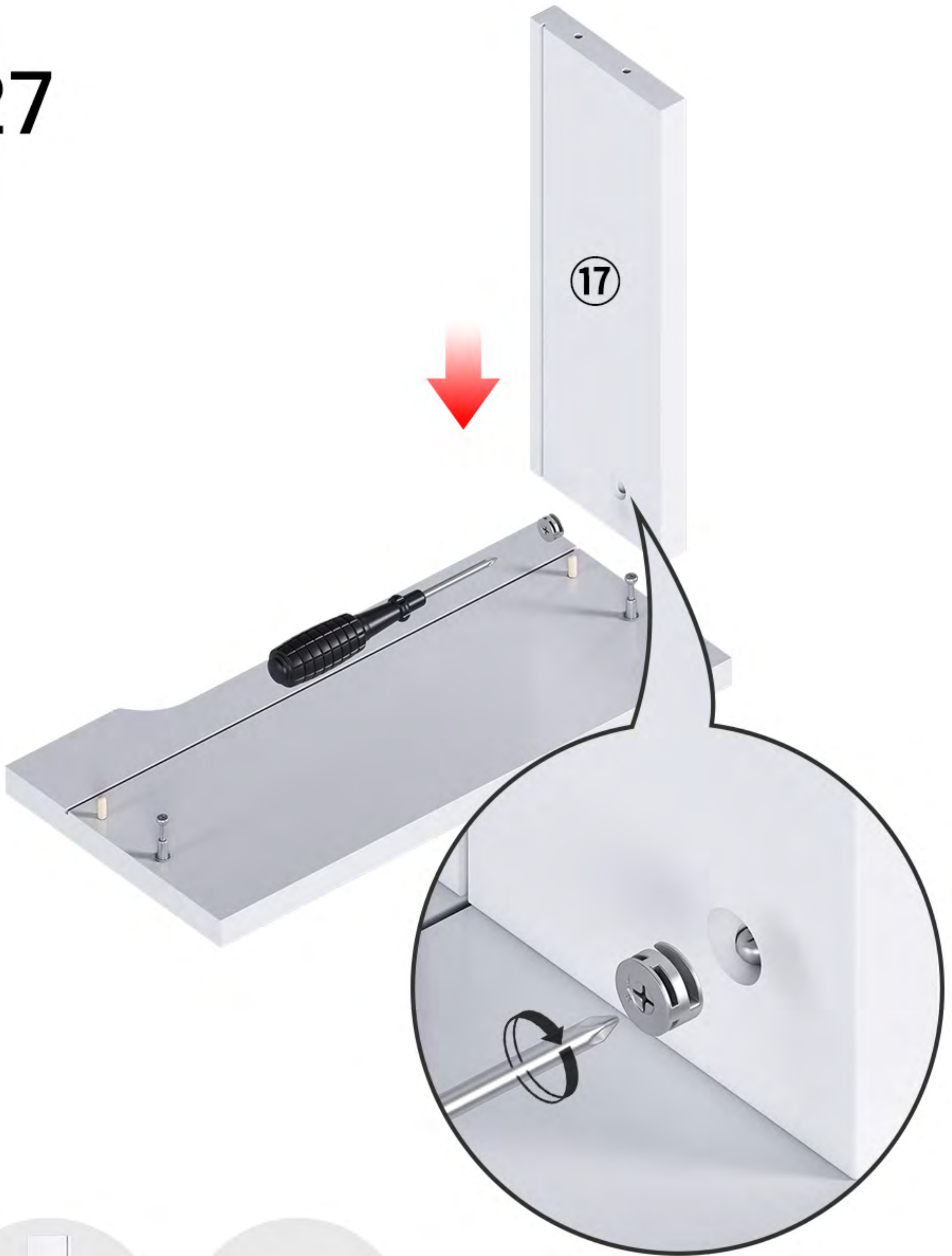




26



27



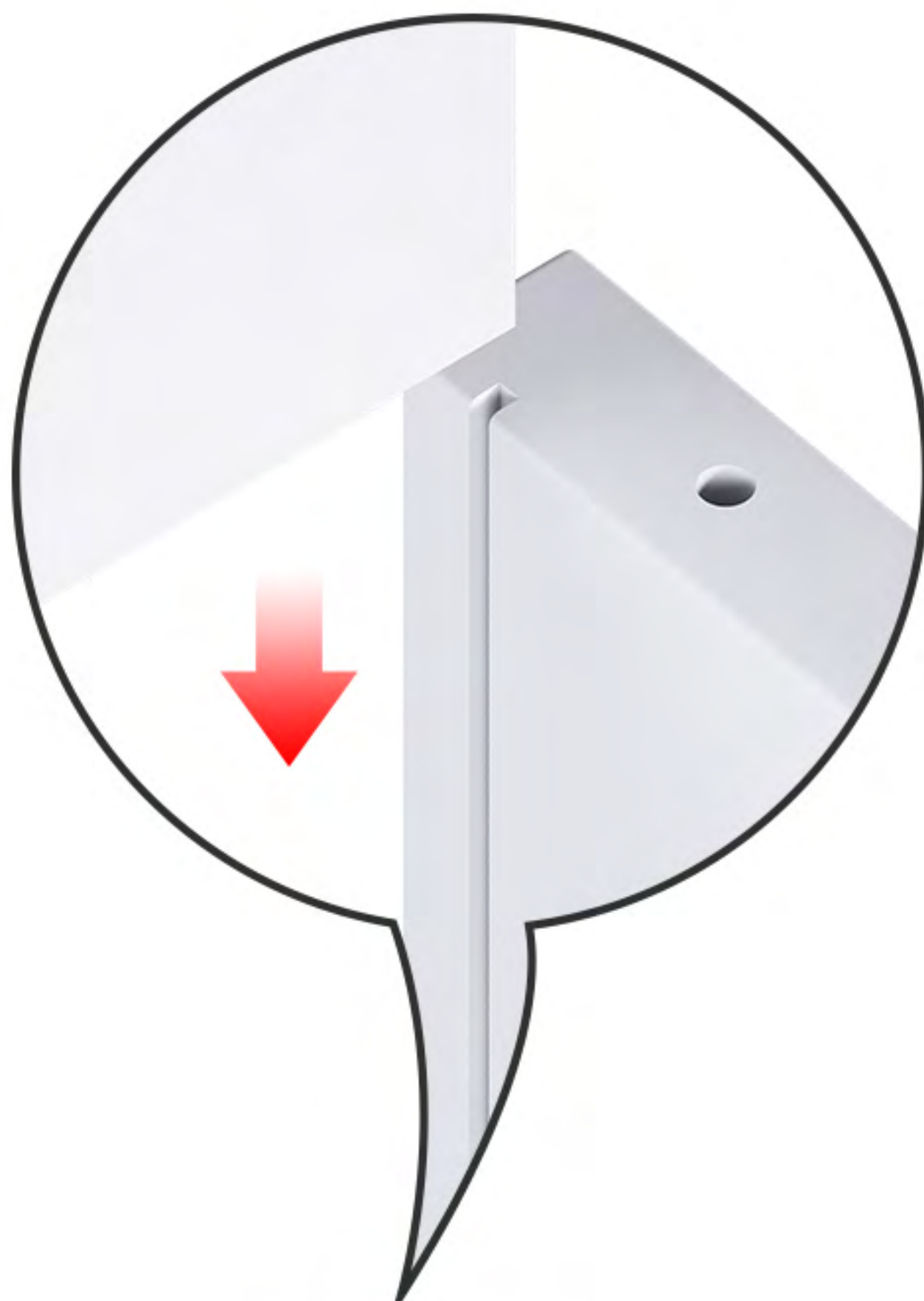
17



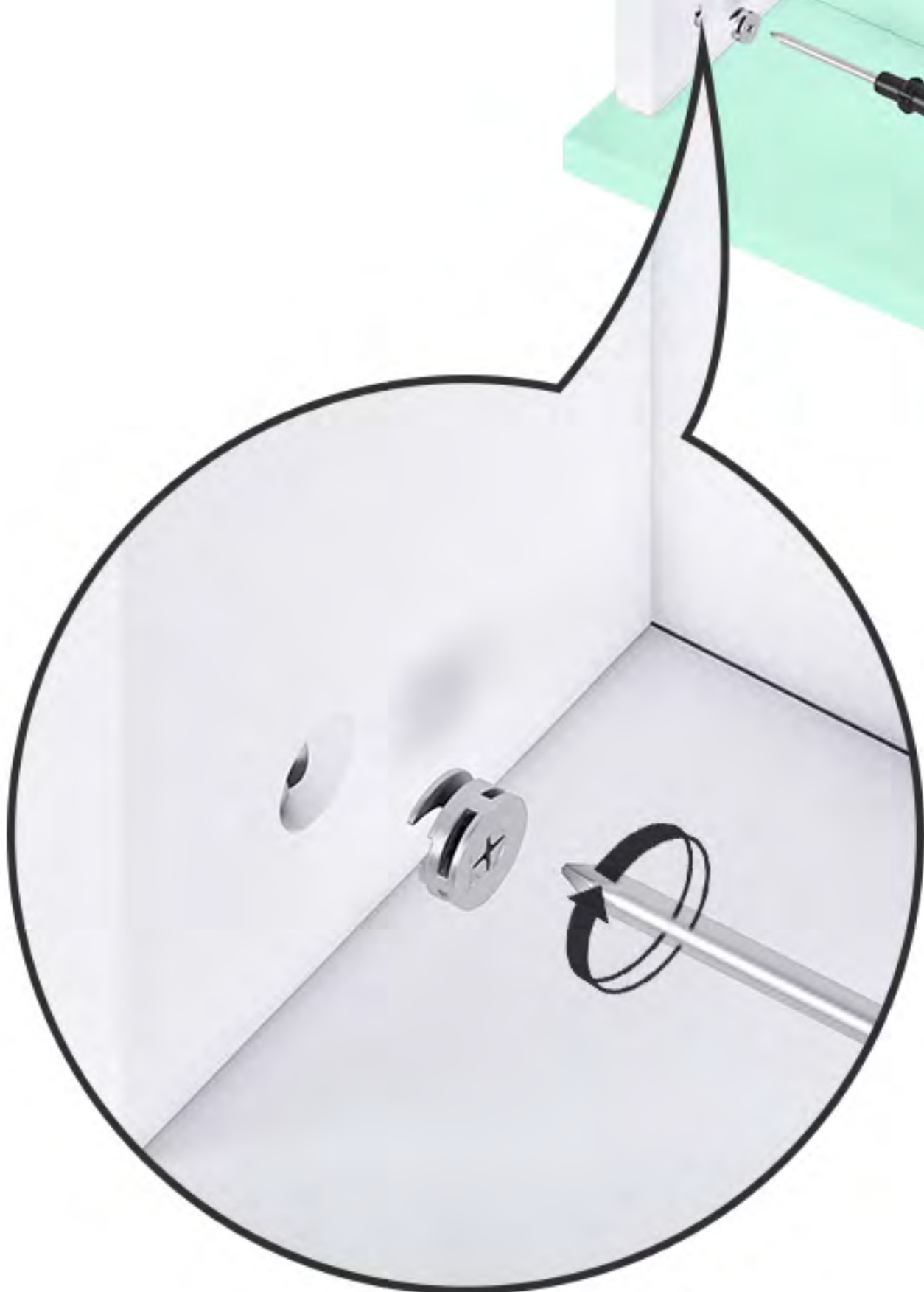
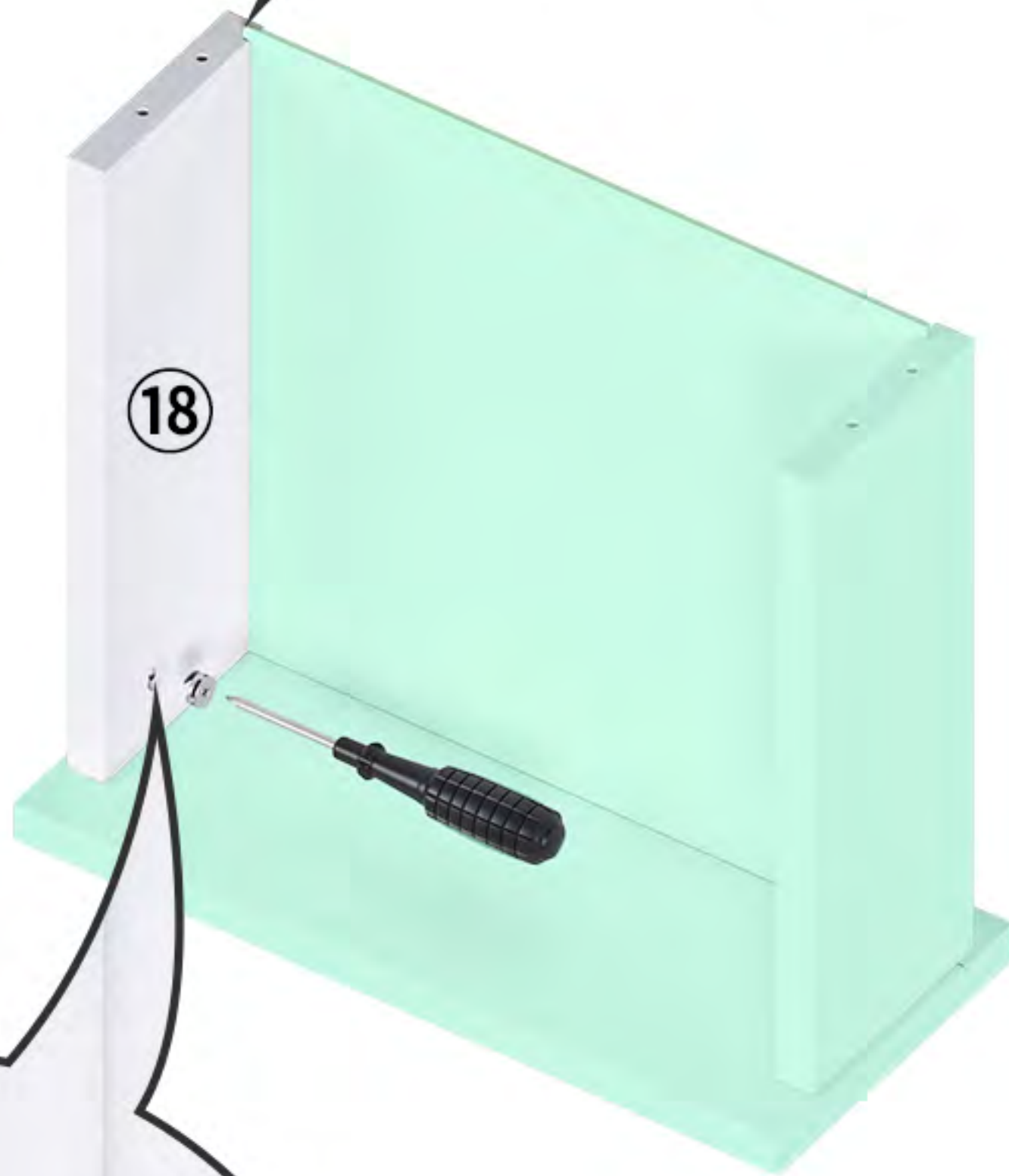
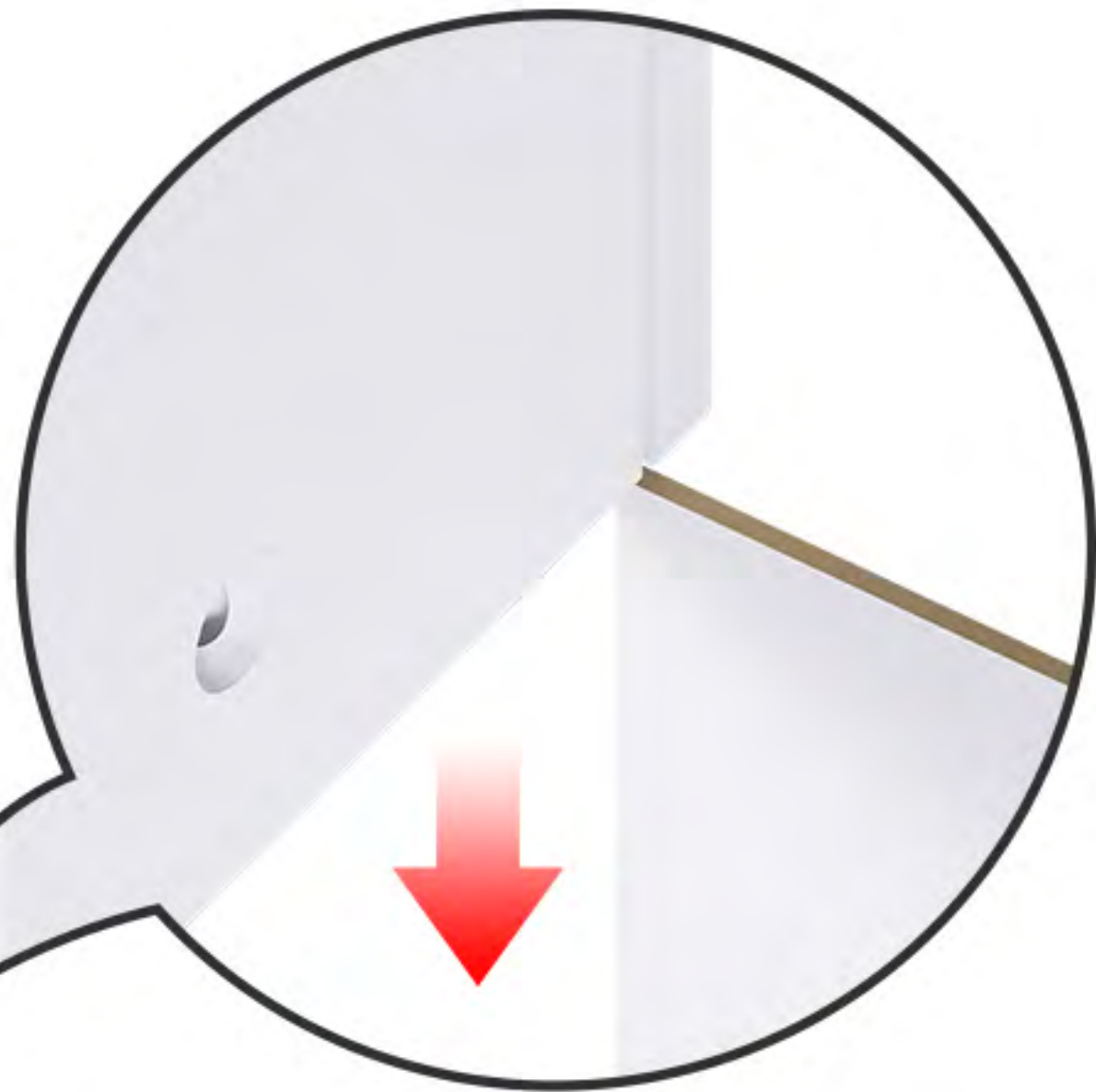
D14



28

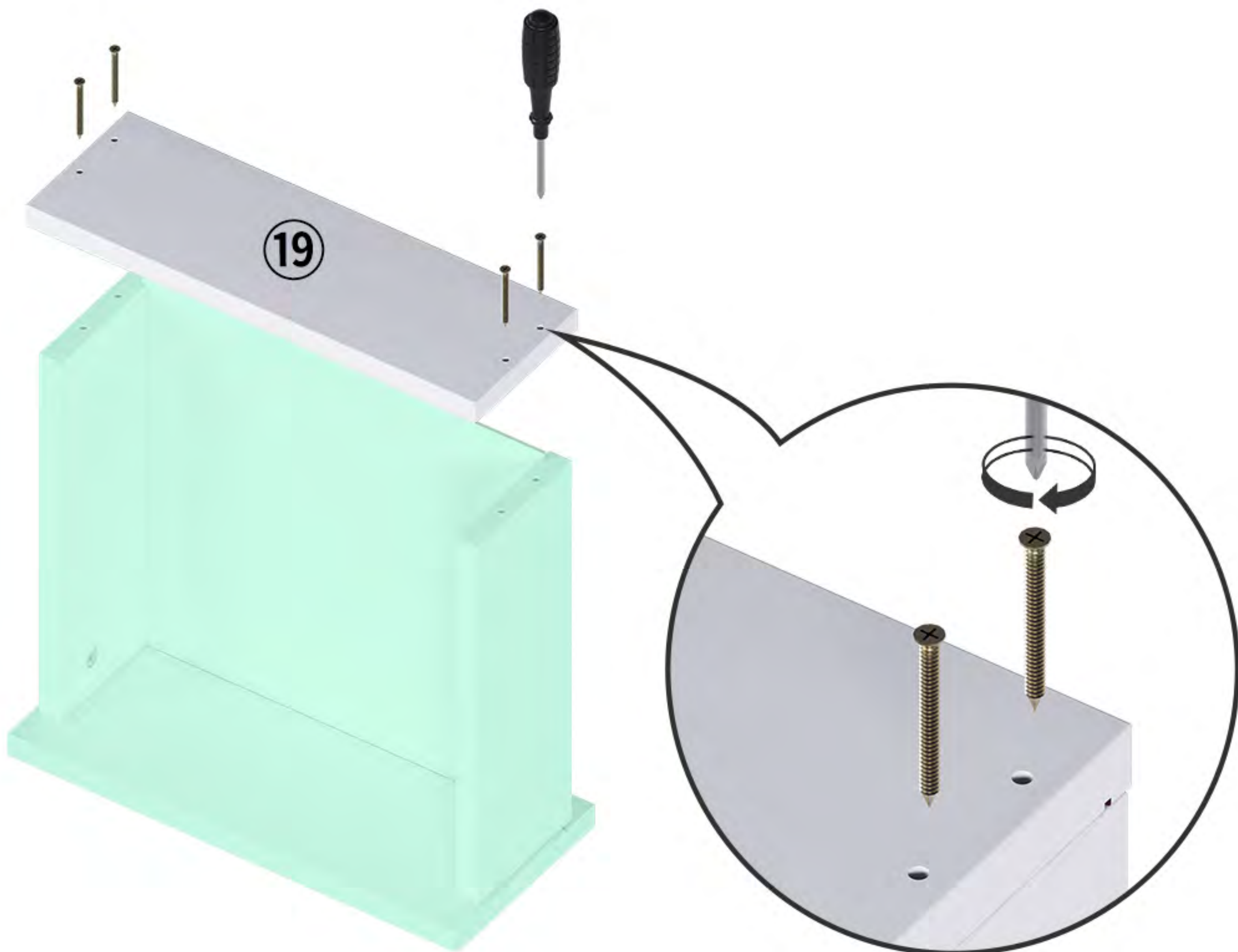


# 29

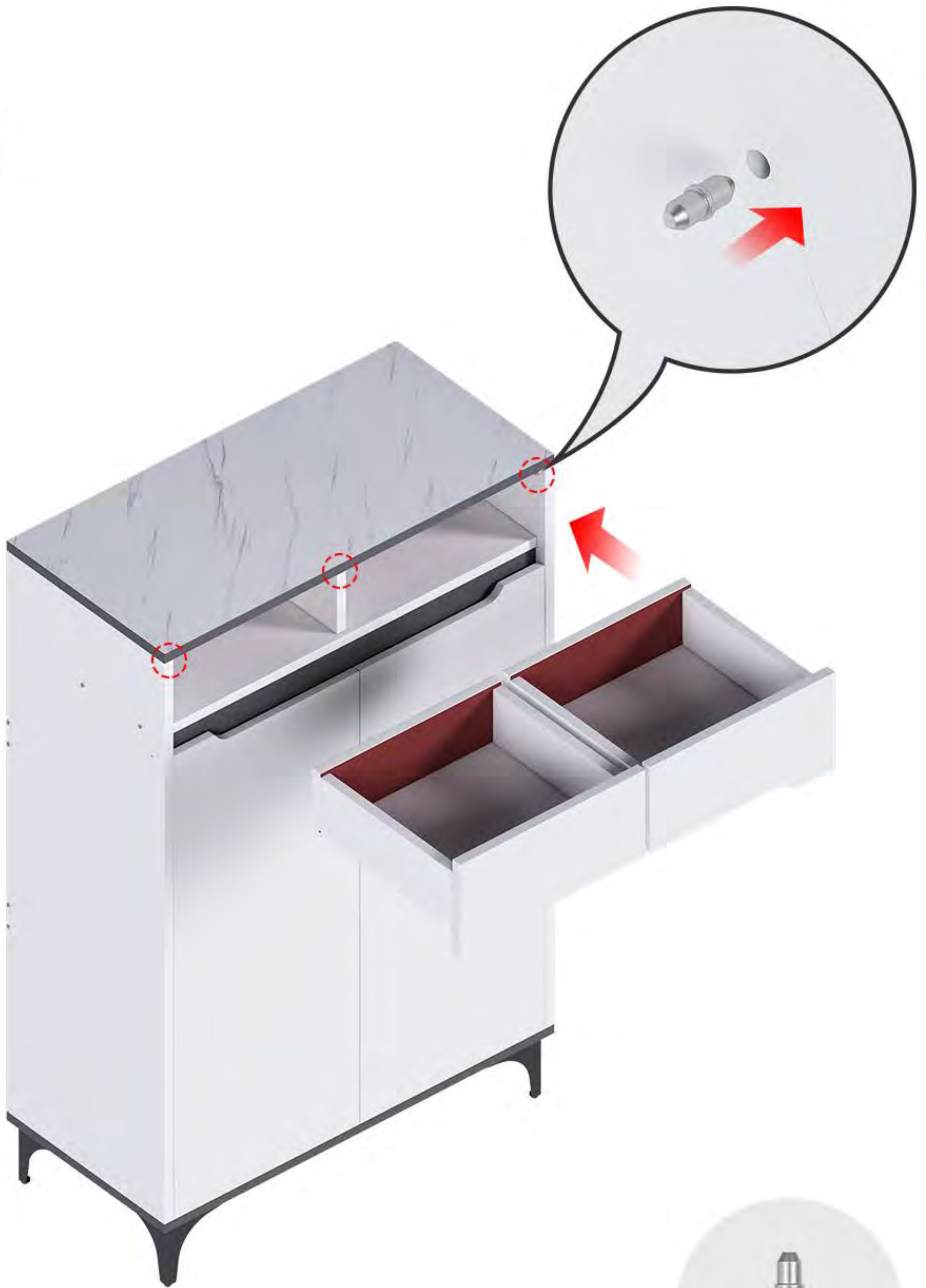




# 30



# 31



Install KO first, then snap it into the drawer



**KO\*4**



32

