

# Furniture installation



Please be sure to use a manual screwdriver and refrain from using an electric drill.

tea table installation process

**EDB010**







D0x36



B3x4



B0x4



J17x2



M48x4



A1x44



K0x2



F0x2



L14x1



Screwdriver



①



⑦



⑧



⑨



②



⑩



⑪



⑫



⑬



③



⑭



⑮



⑱



⑯



⑰



④



⑤

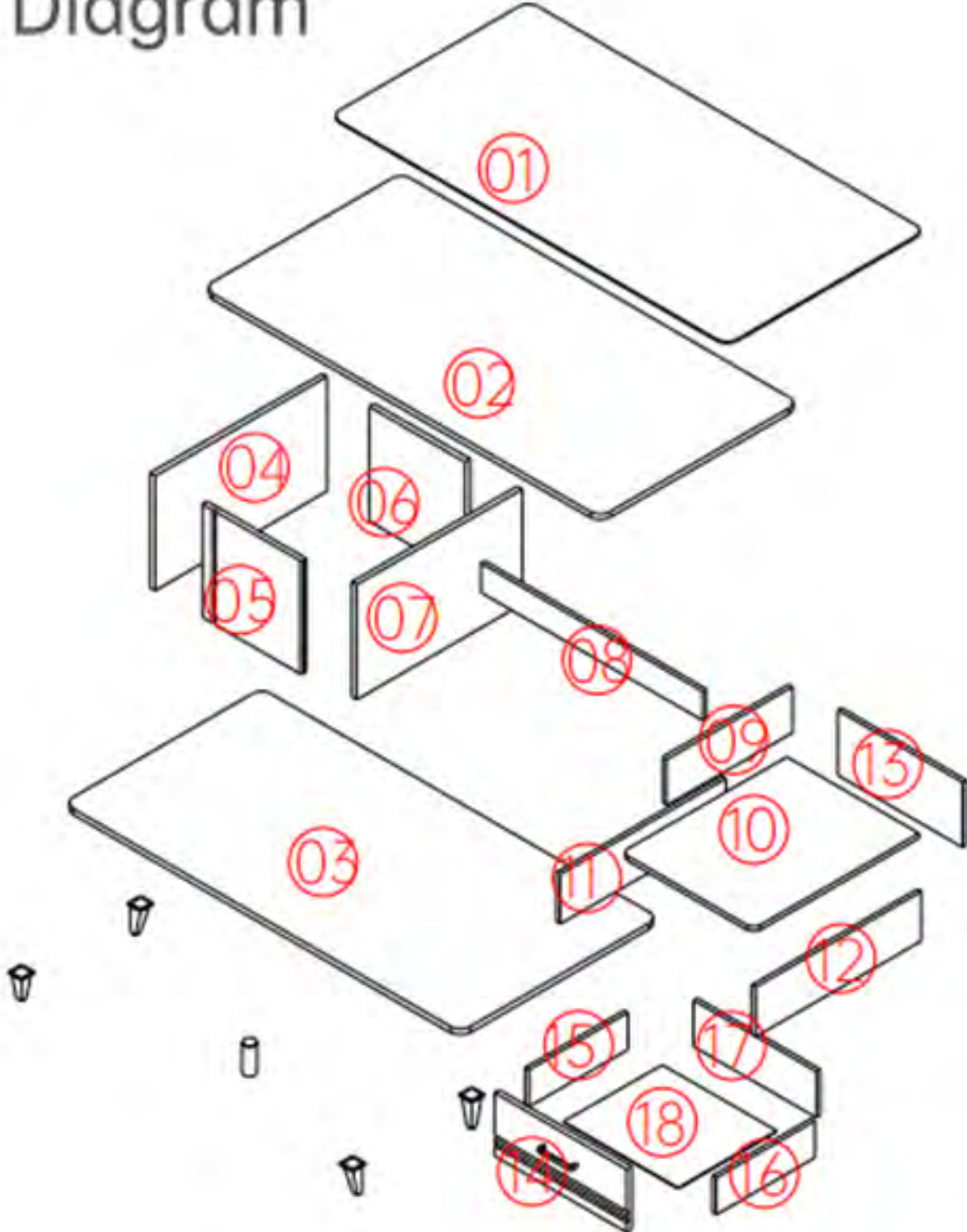


⑥

# Presentation of finished product

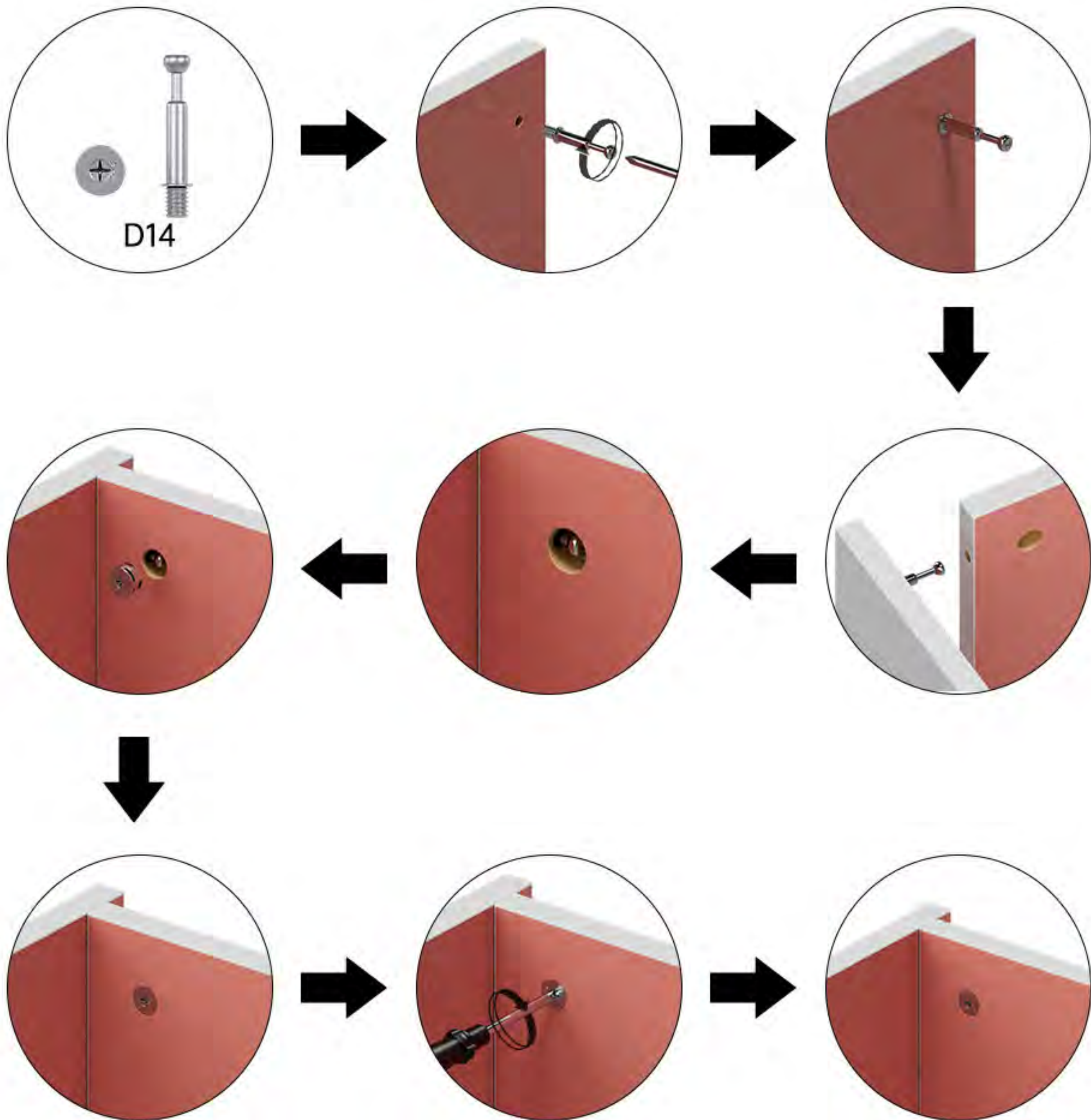


# Product Split Diagram

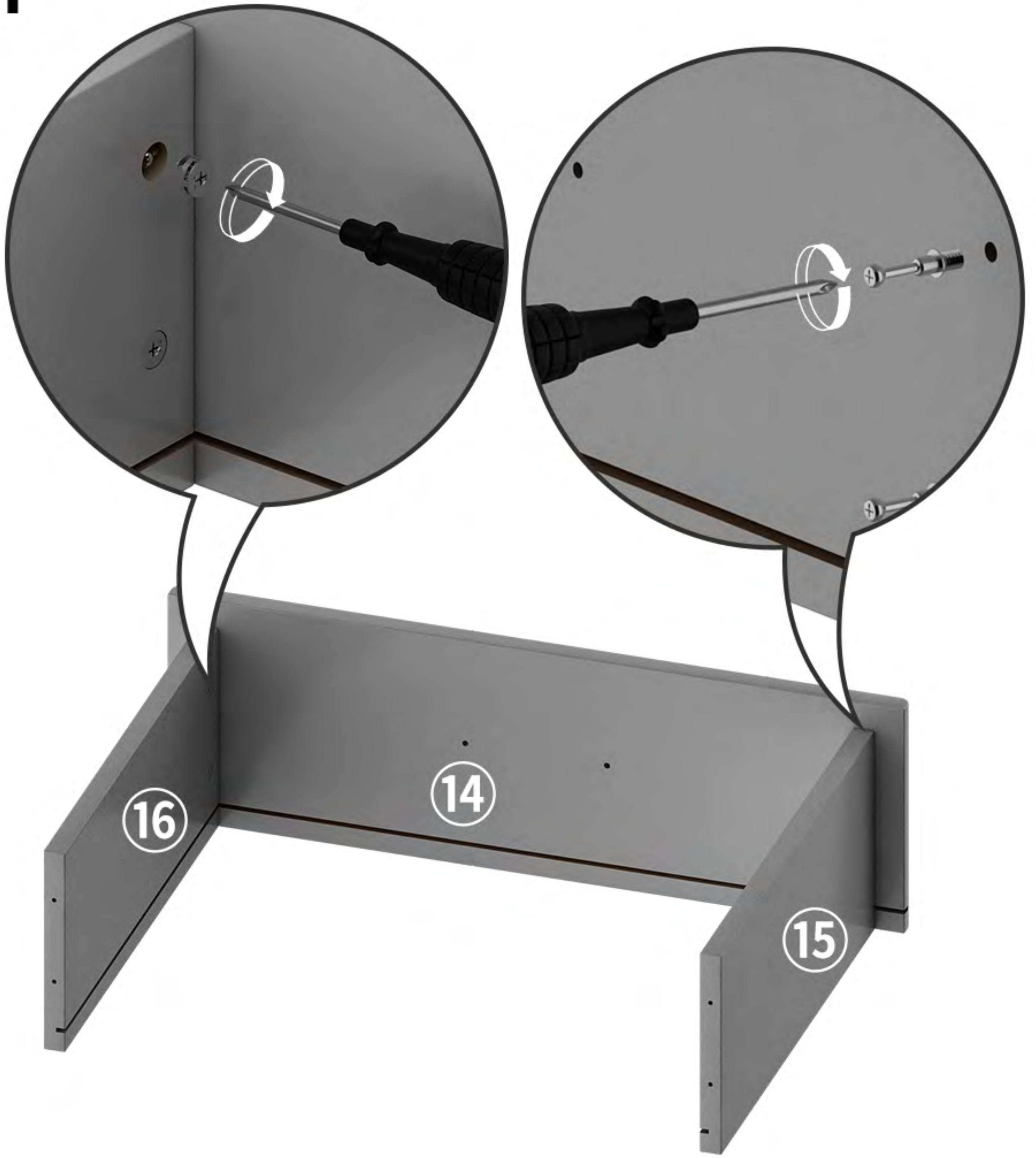




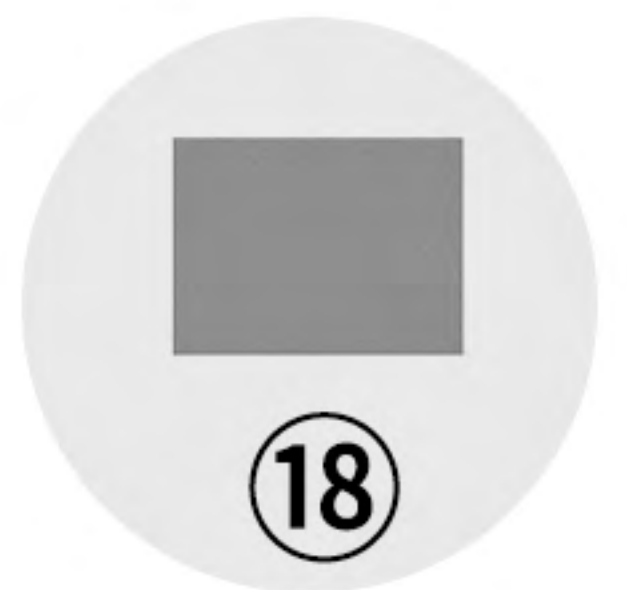
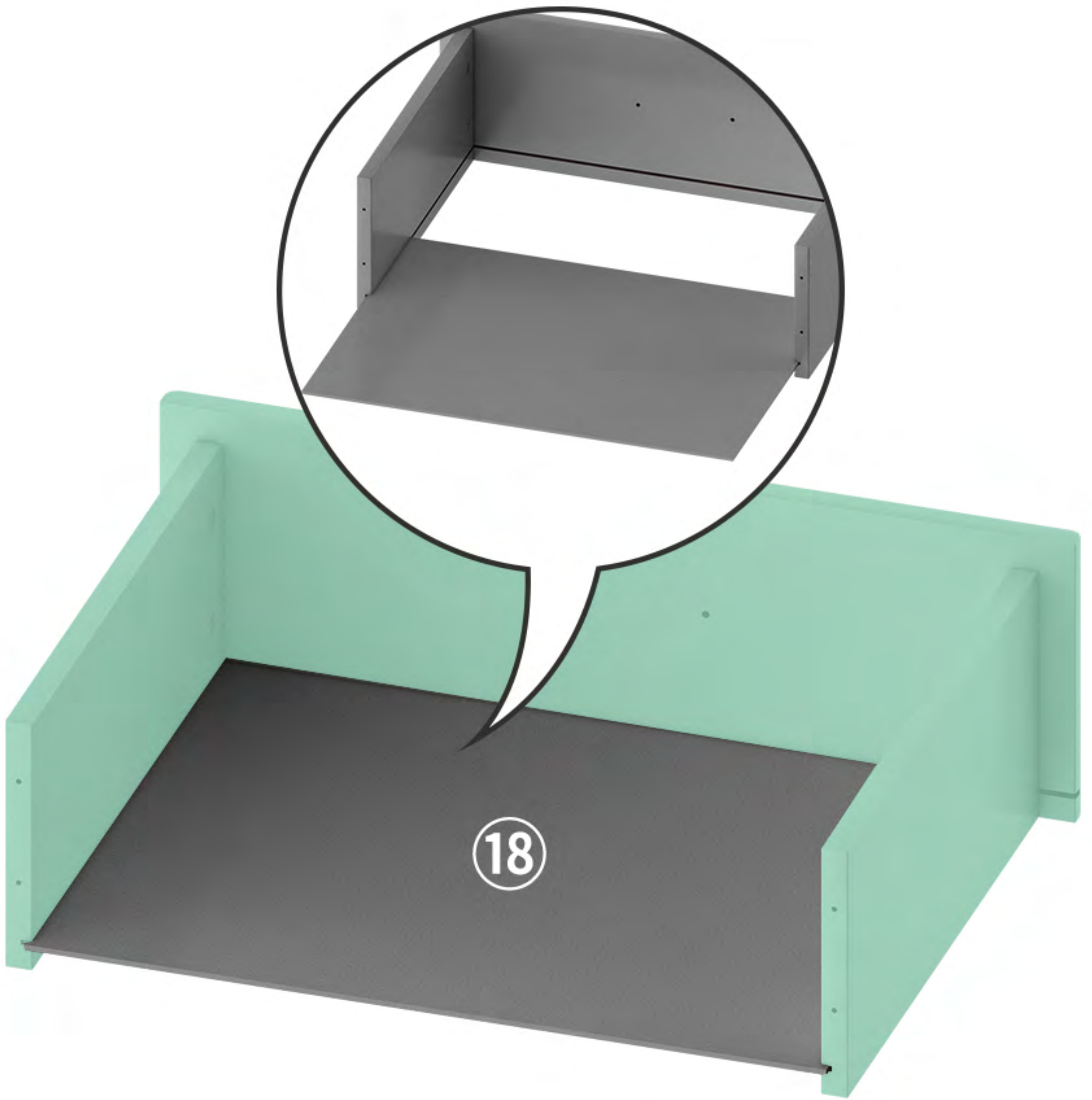
# Installation method of eccentric screw



1

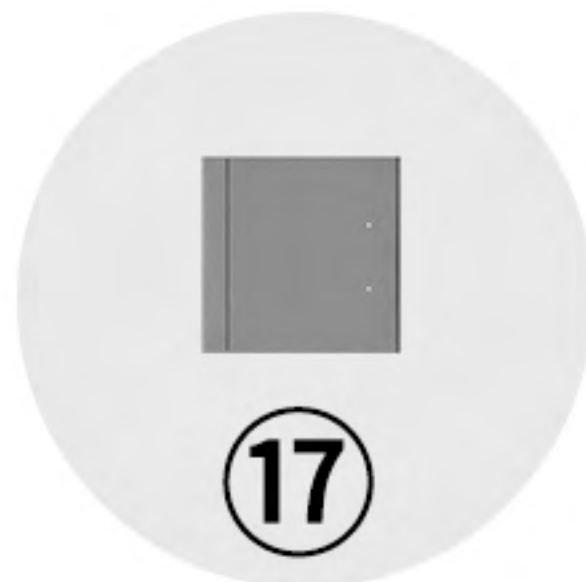
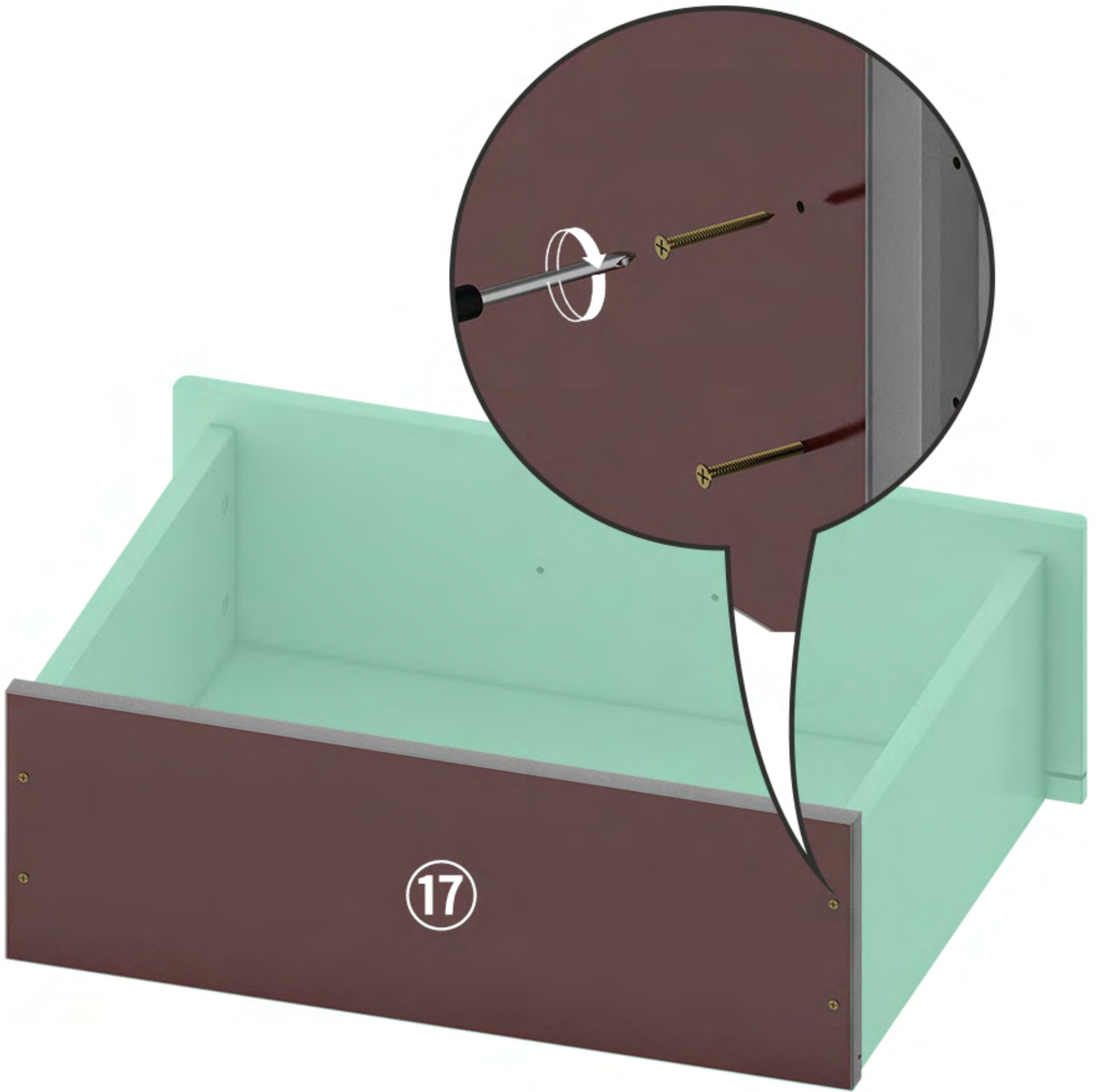


2

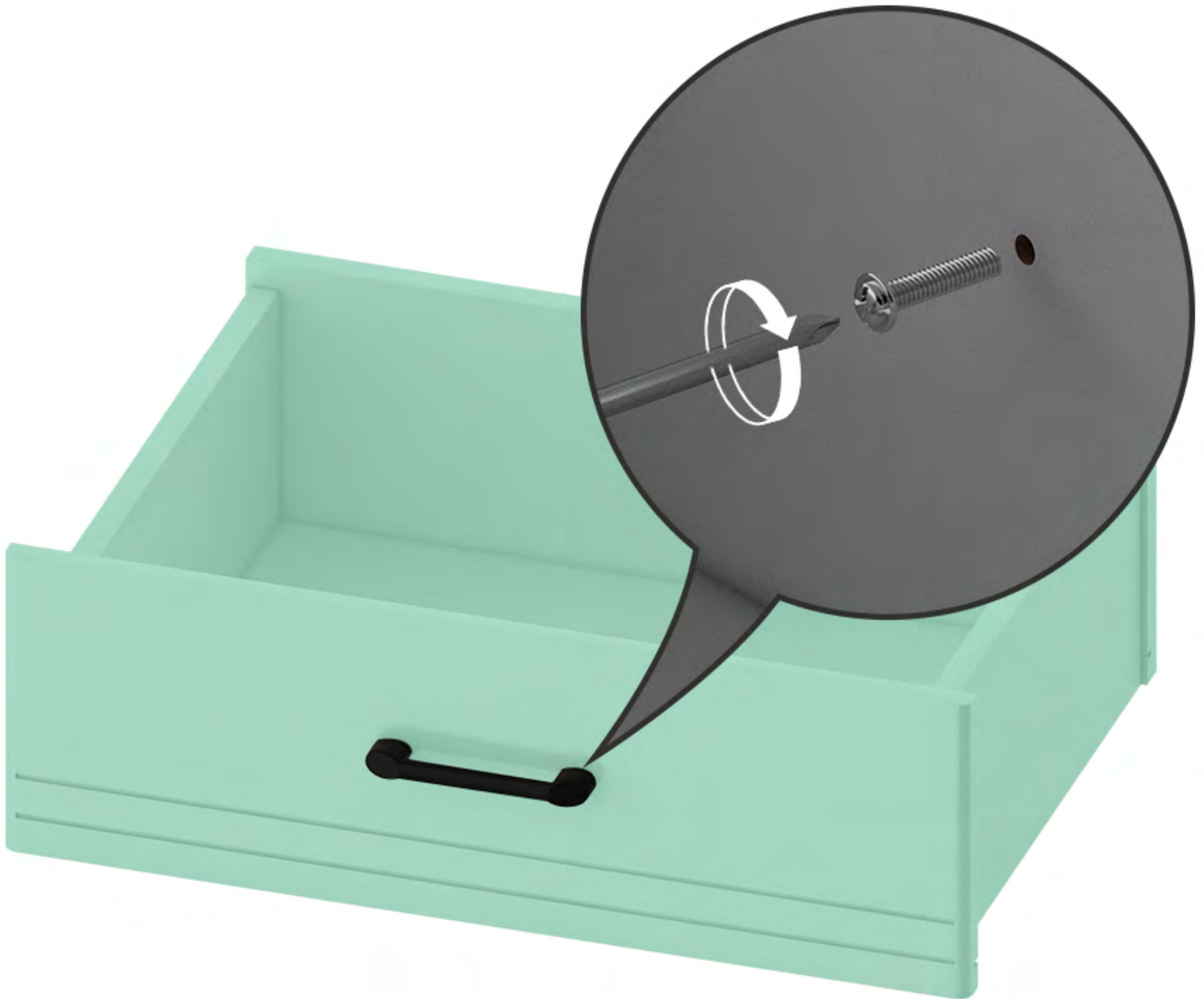




3

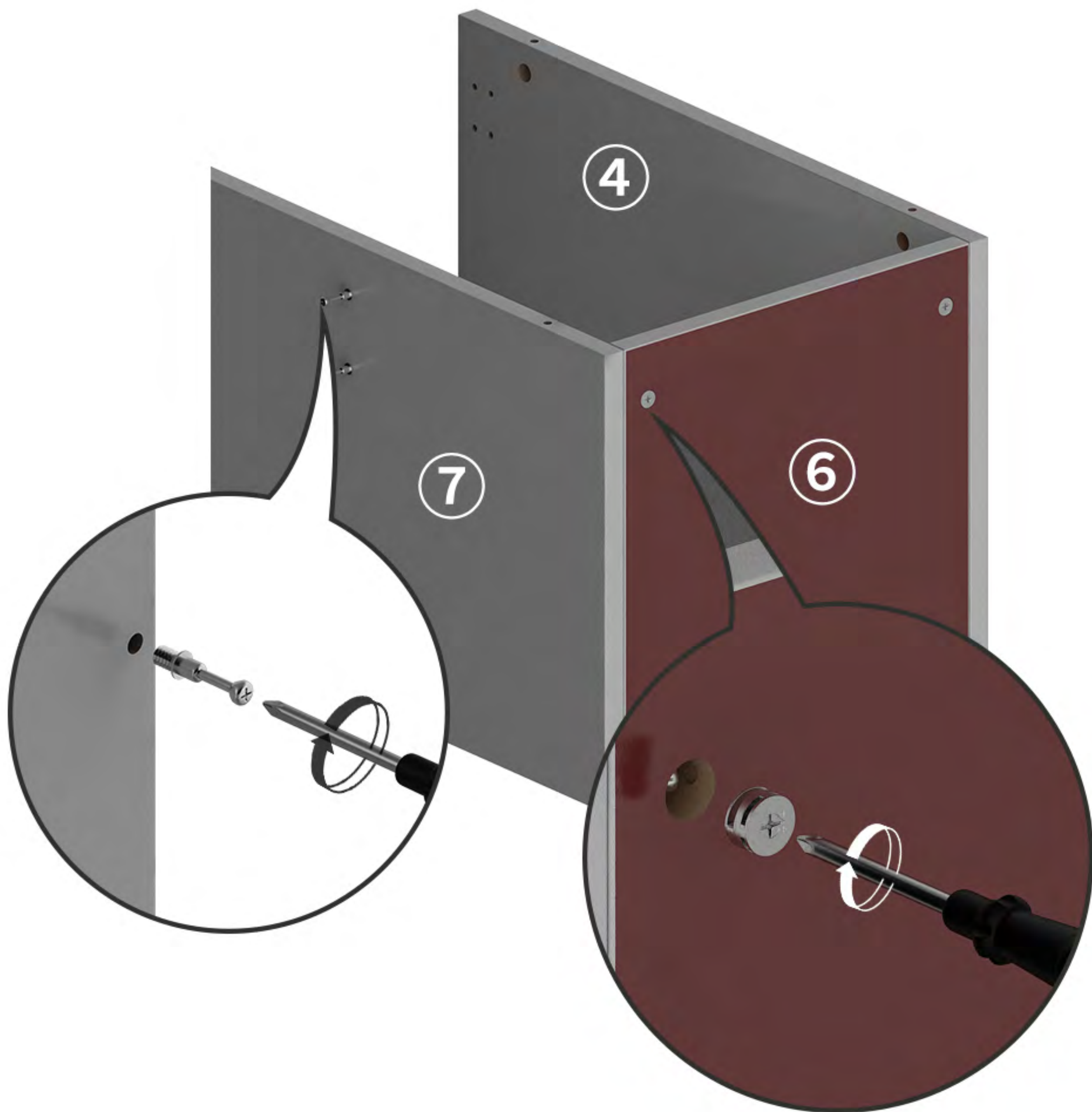


4

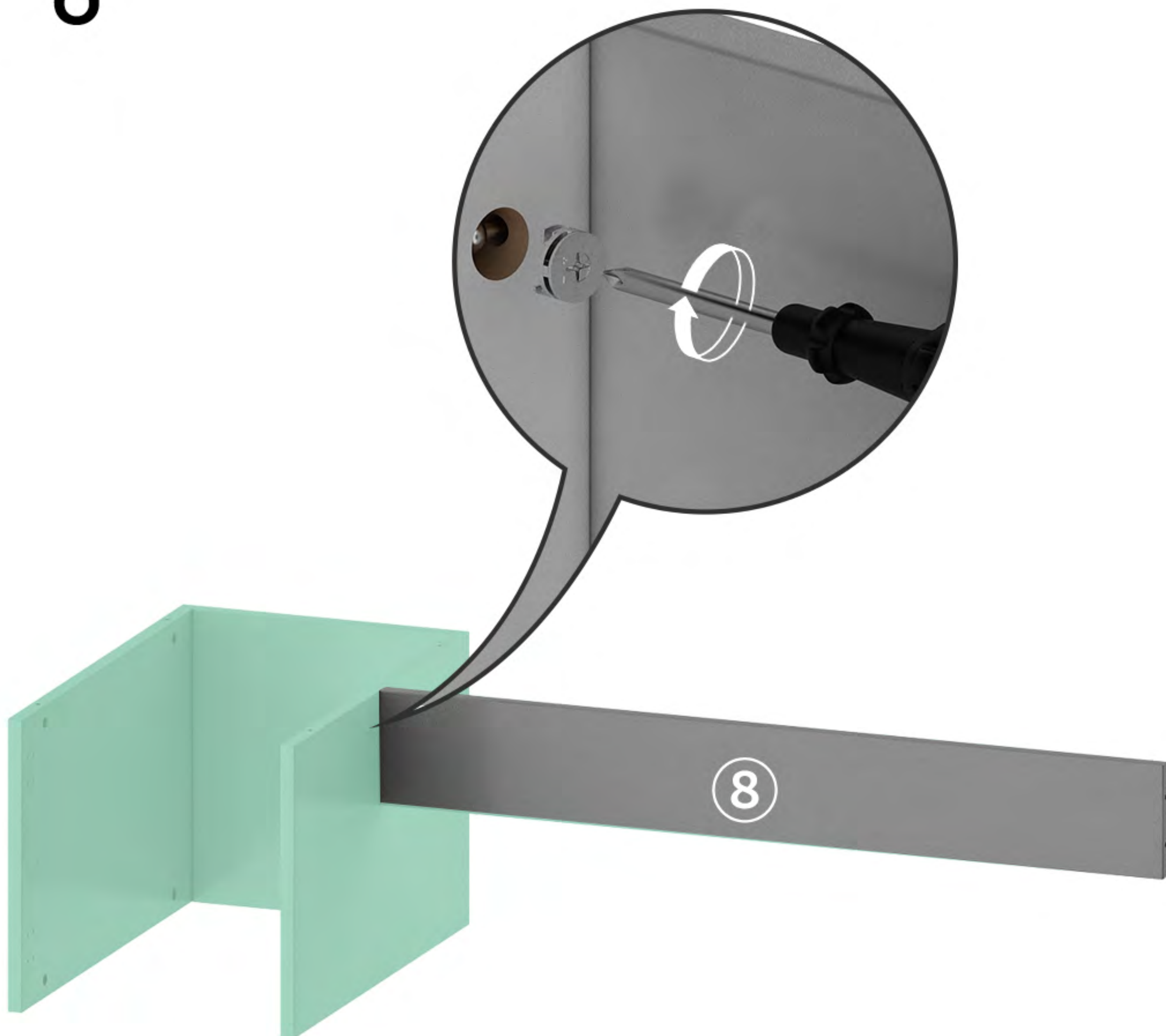




5

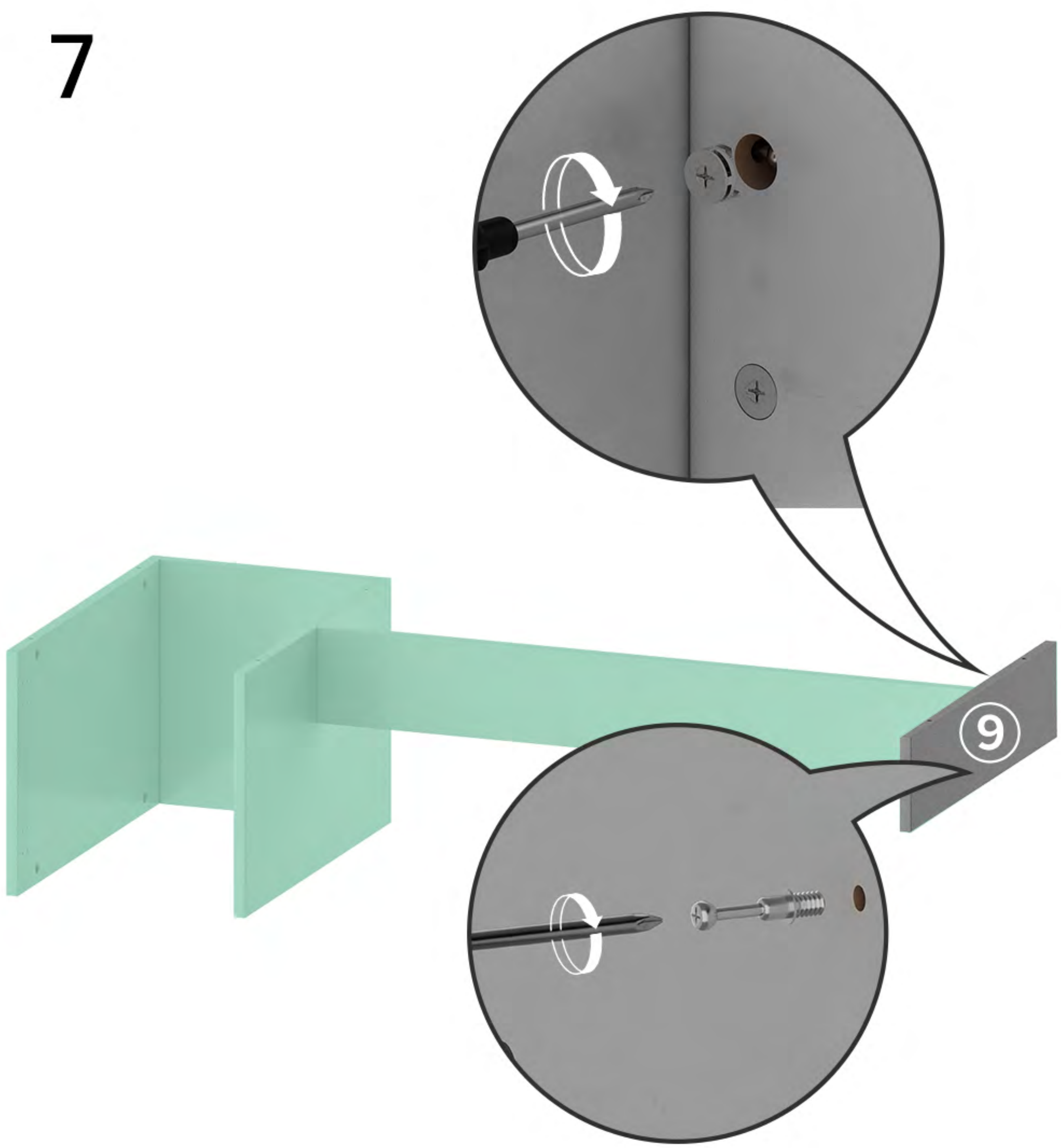


6





7

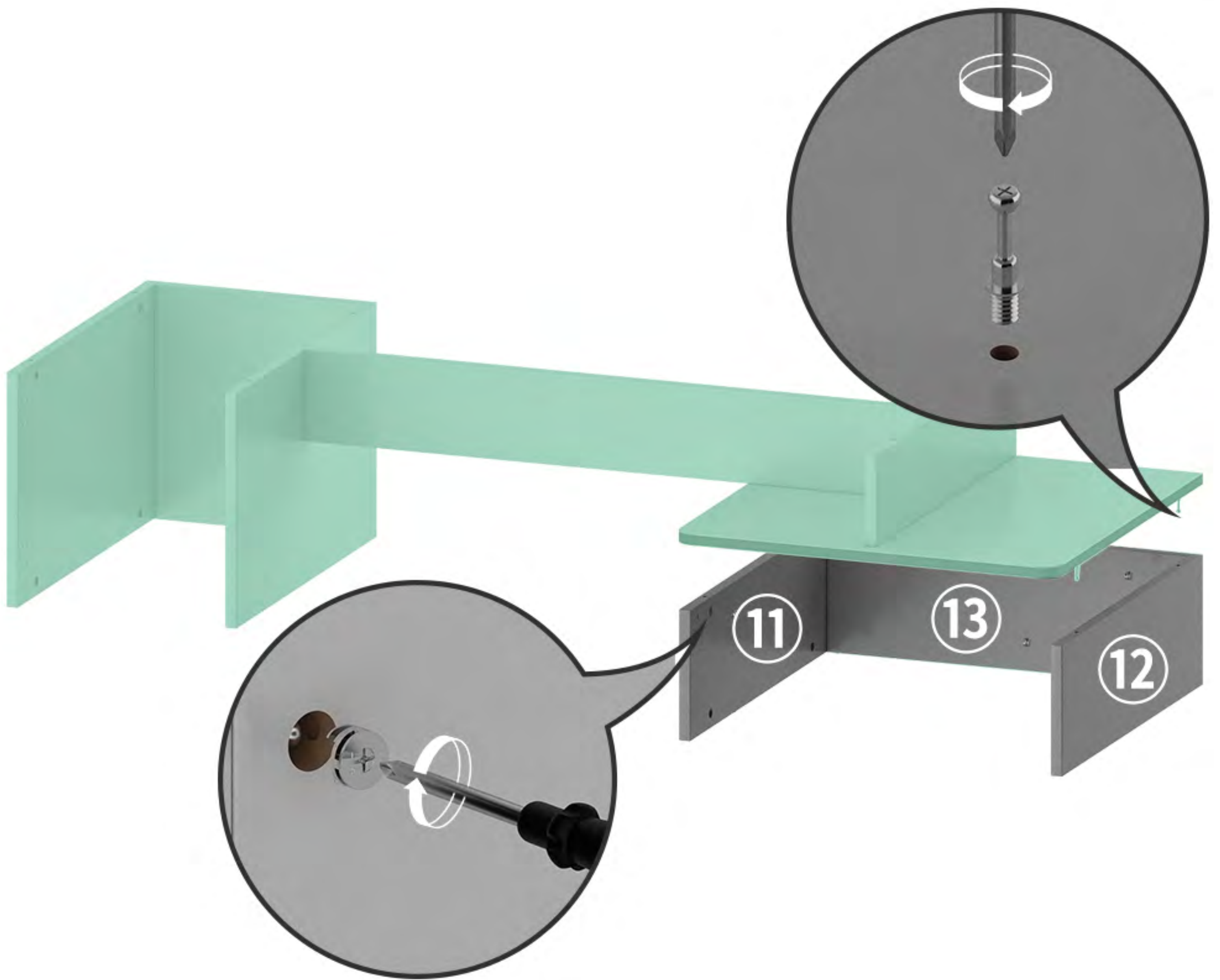


8

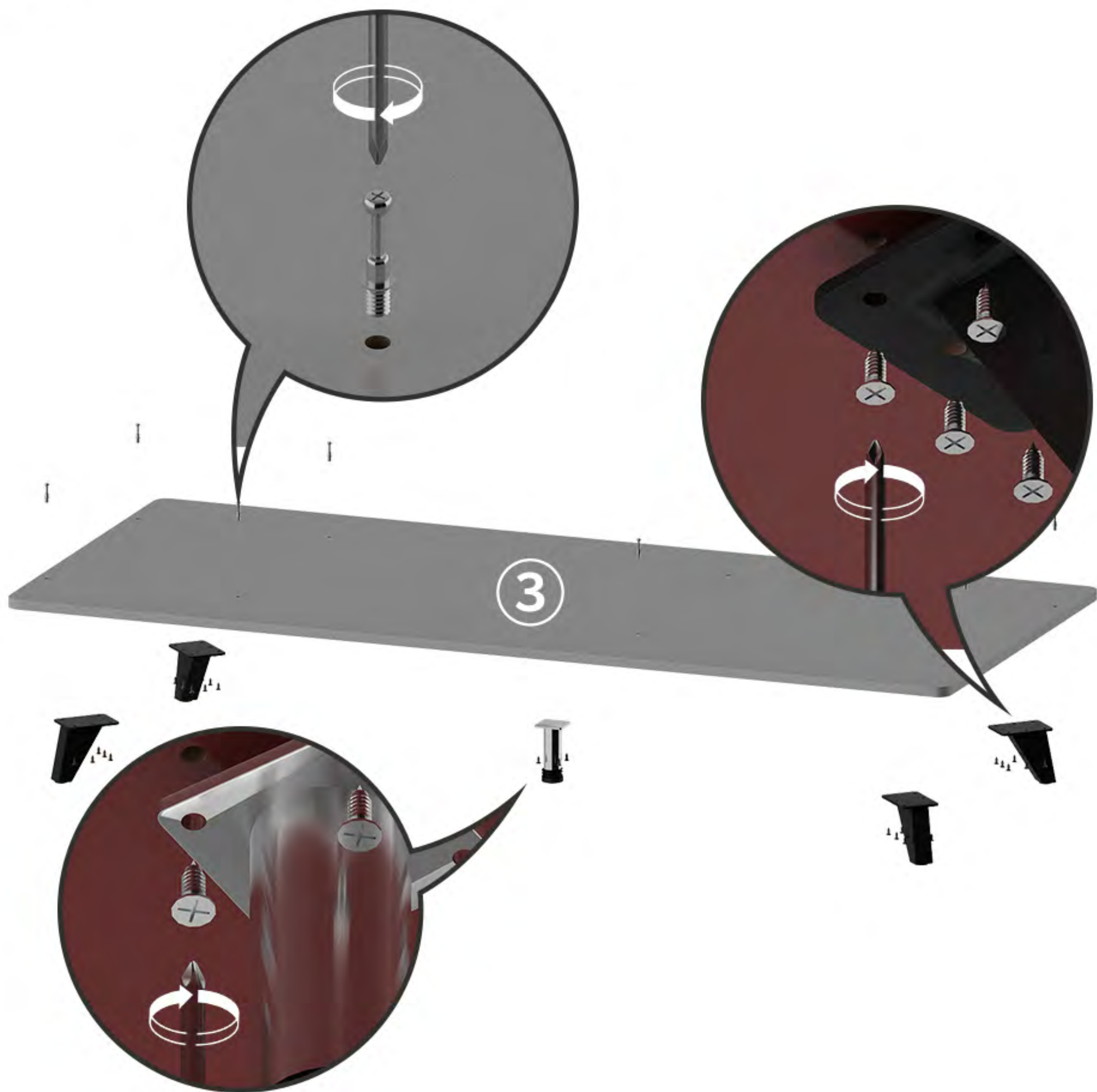




9

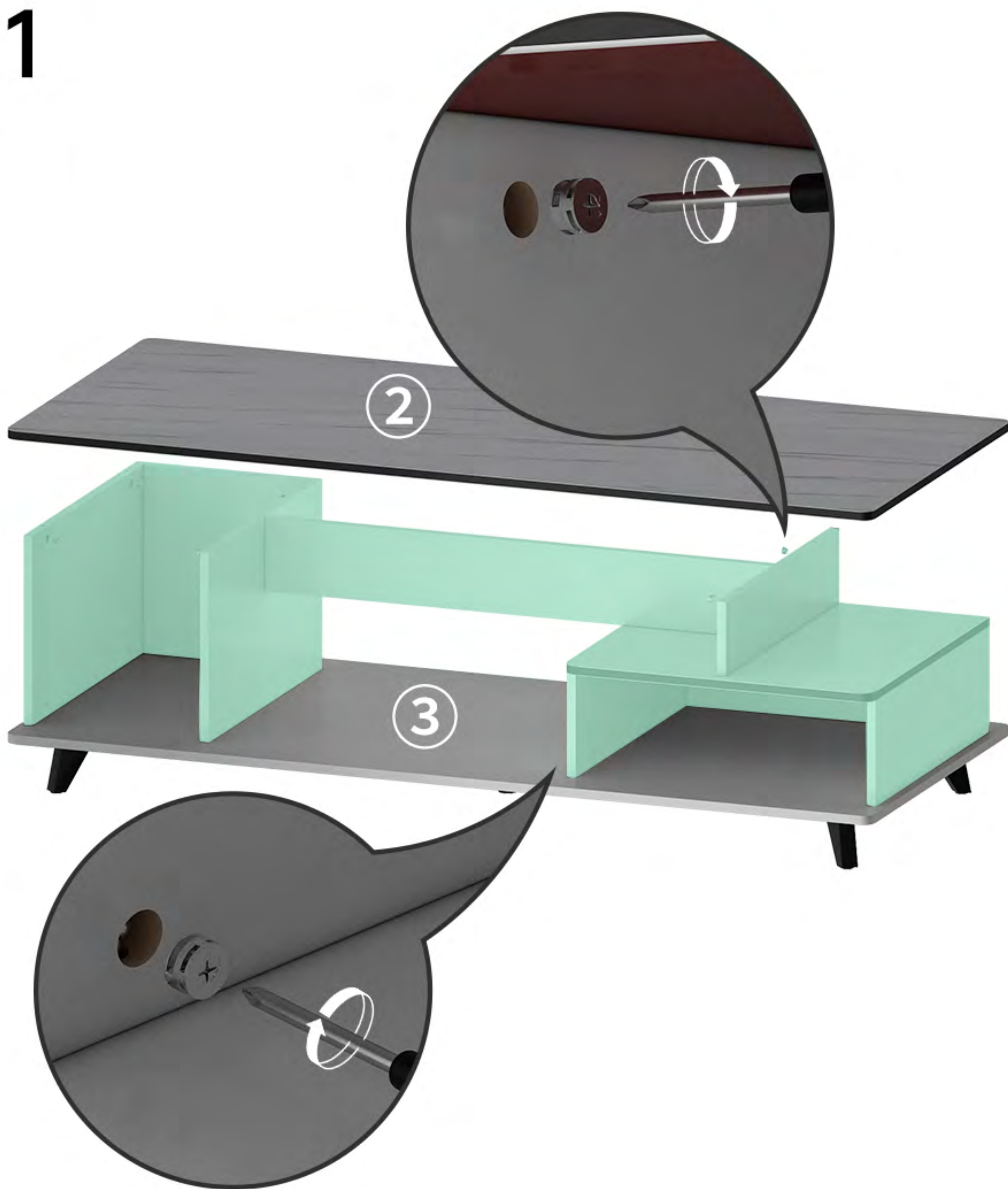


# 10

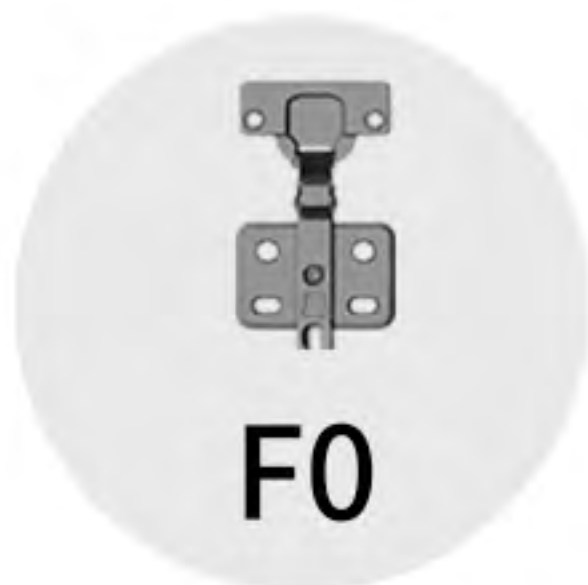
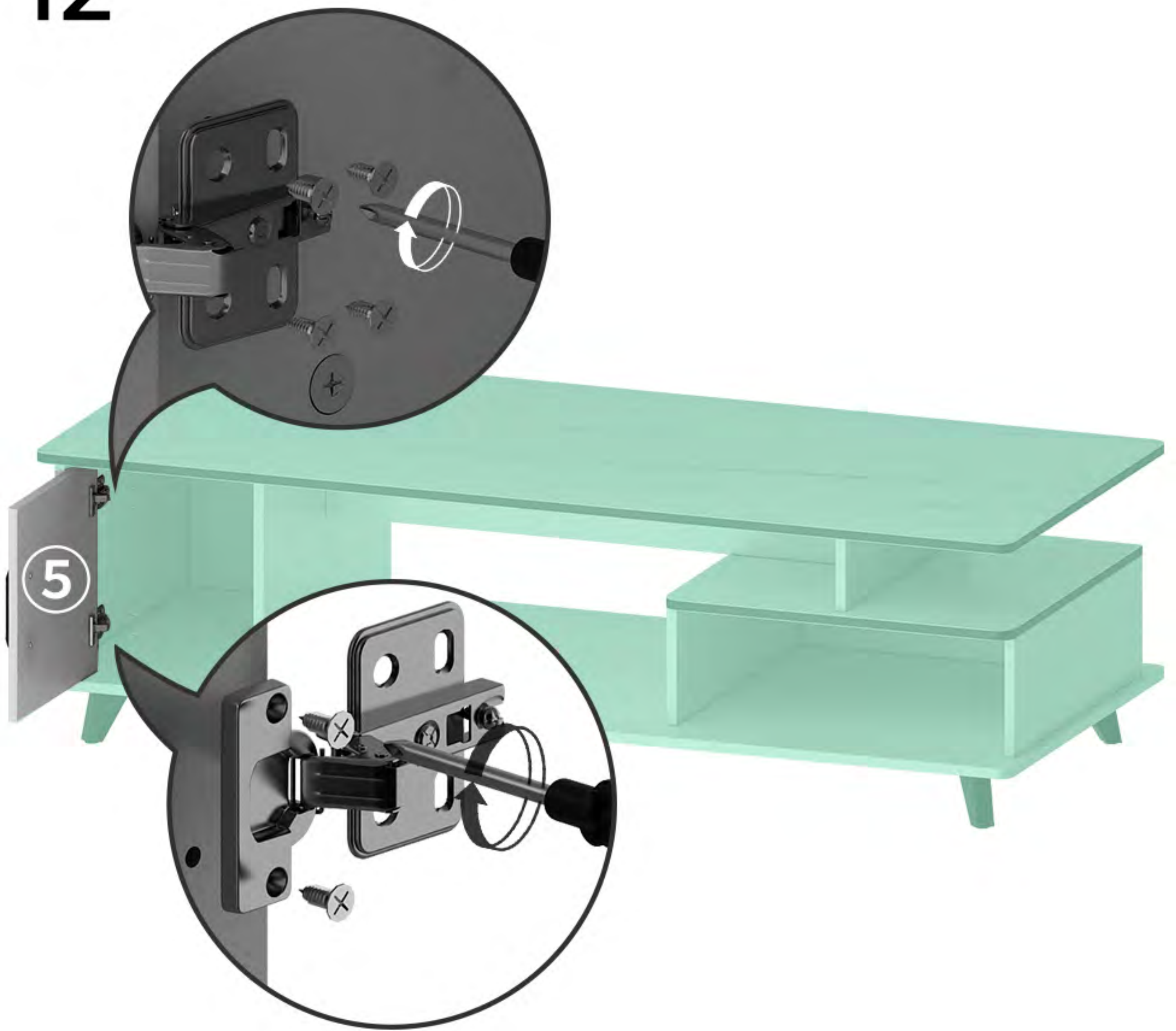




11



12





13



# 14

Place the glass on the surface to complete the installation.

