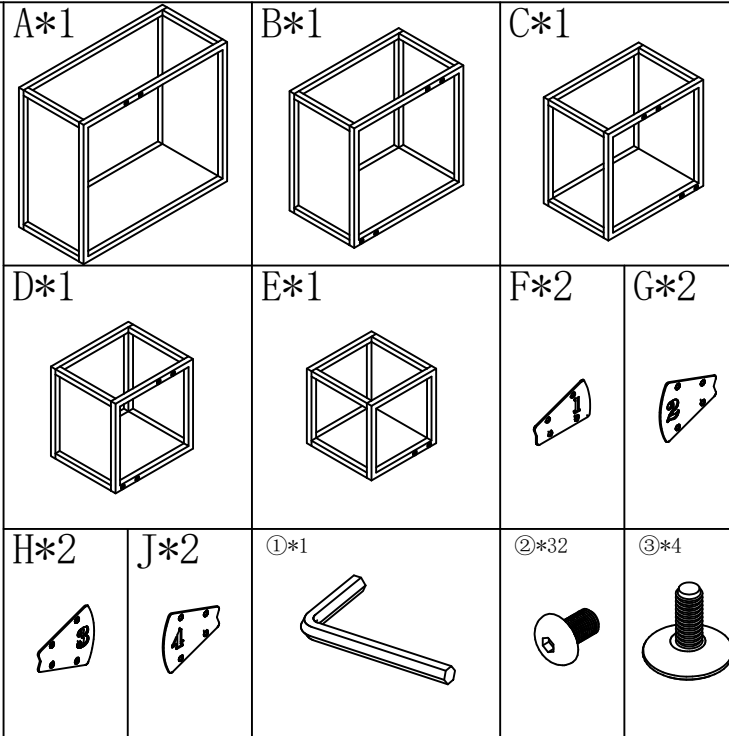
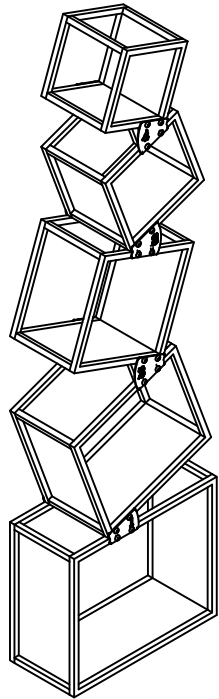
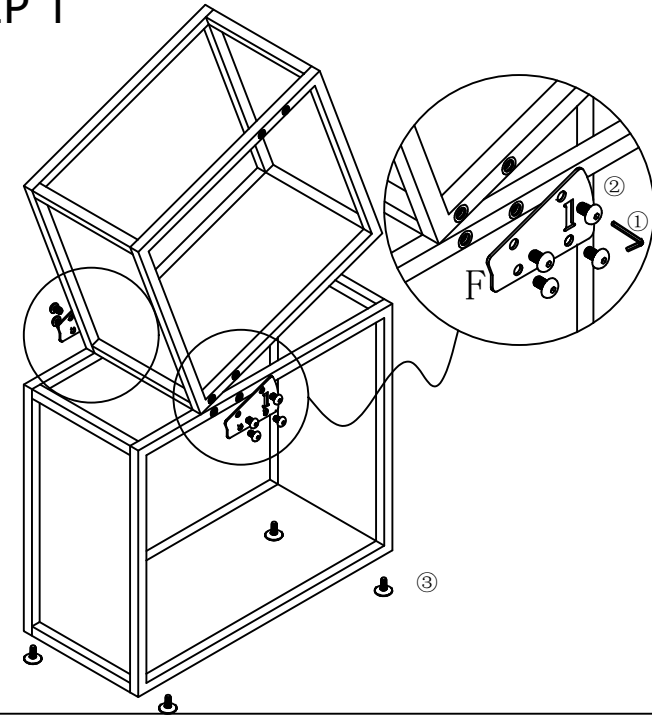


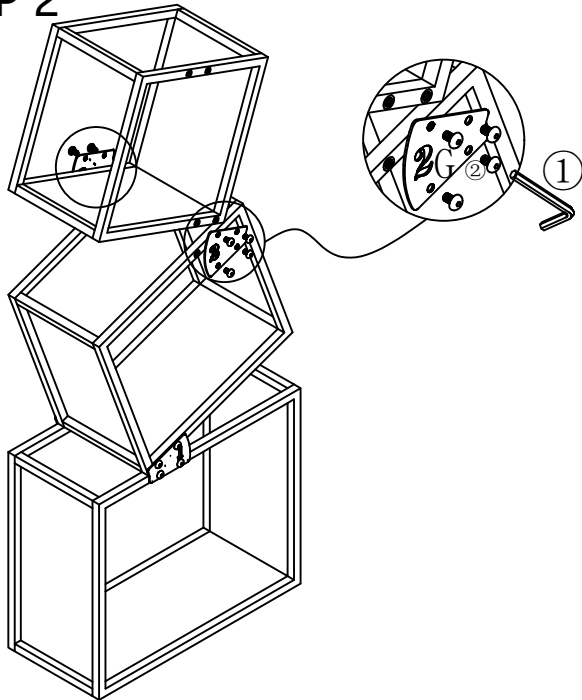
ASSEMBLY INSTRUCTION



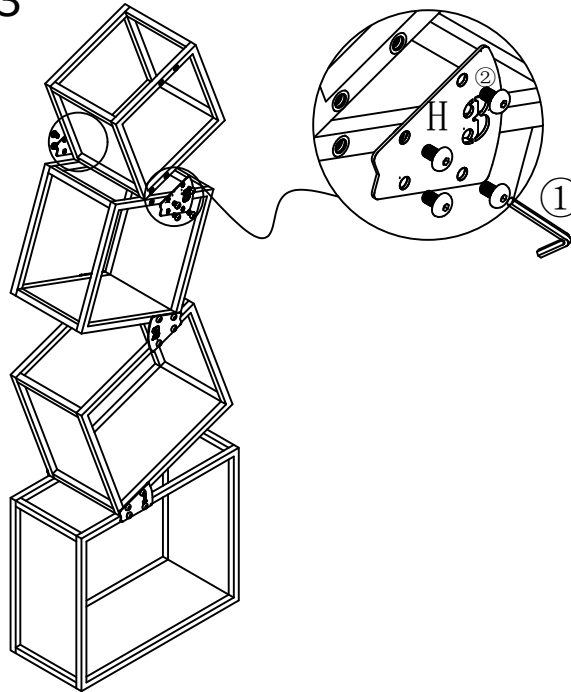
STEP 1



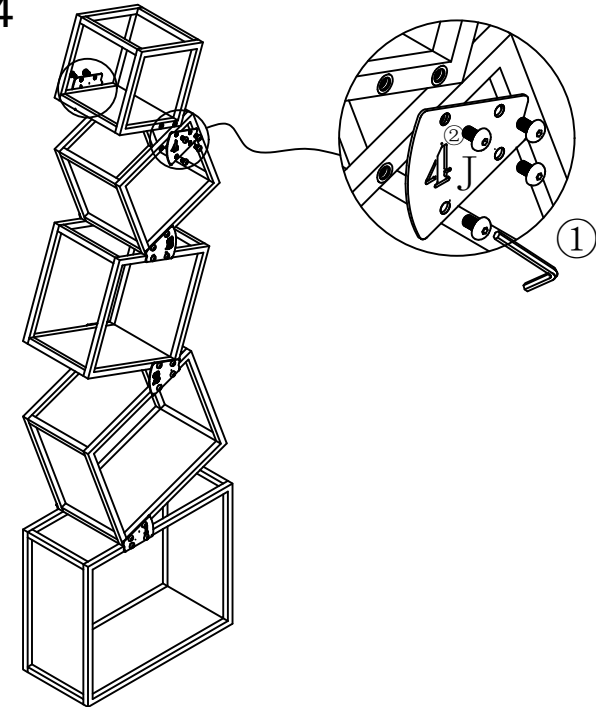
STEP 2

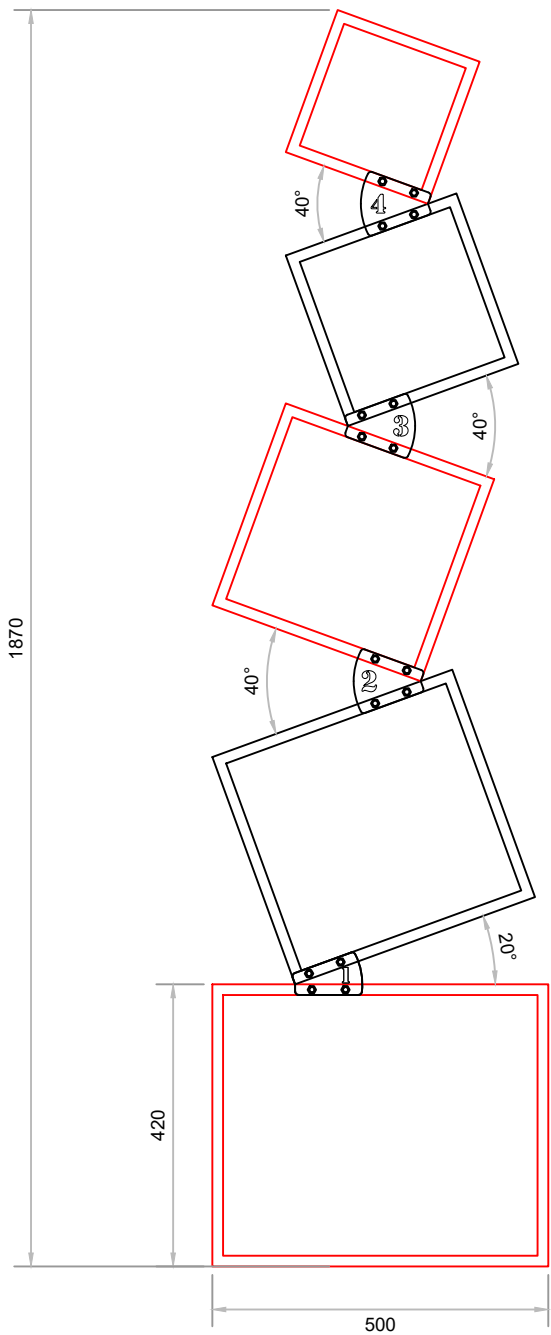


STEP 3



STEP 4





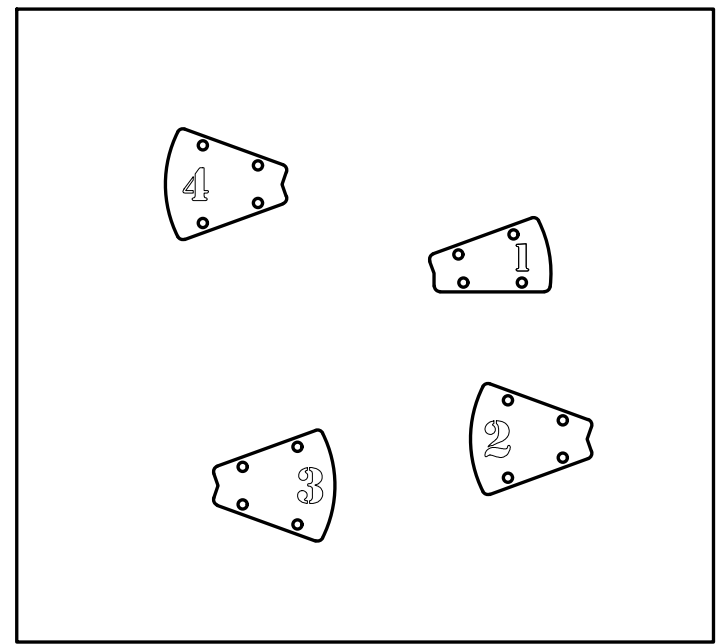
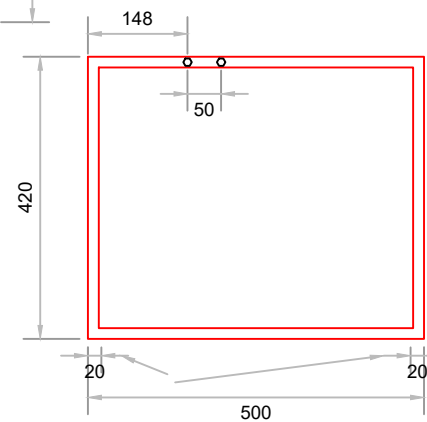
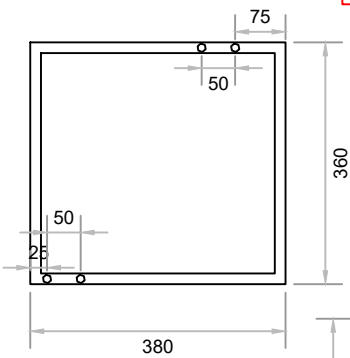
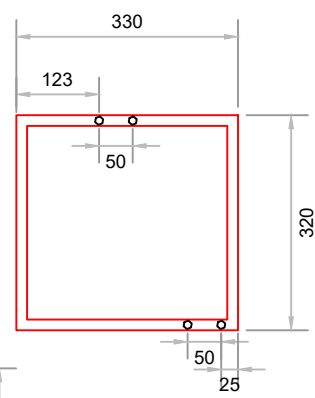
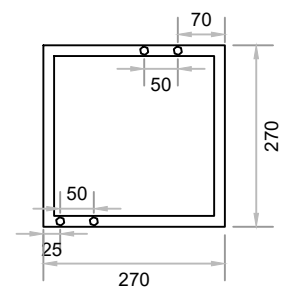
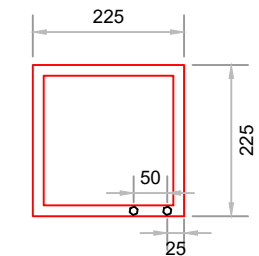
4

3

2

1

depth 225mm



Please install in the order of 1-4 from bottom to top according to the hollow numbers on the metal sheet.

Leave foot pad holes at the bottom