

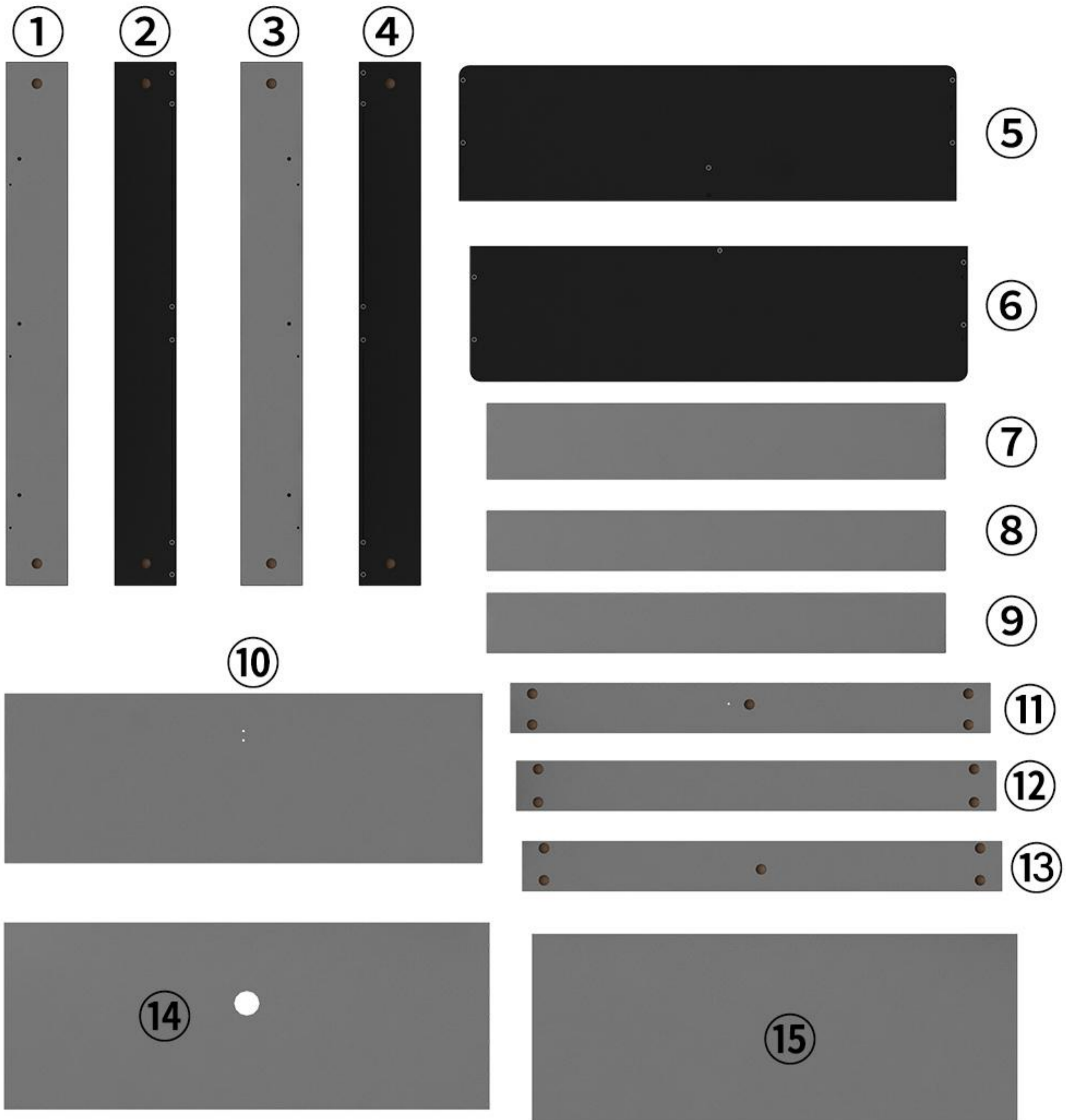
Furniture installation



Please be sure to use a manual screwdriver and refrain from using an electric drill.

SOCE008 - 25CM Installation Instruction





Board 14 and 15 are very **THIN** boards.
They might be packaged at the very bottom of all the boards or under the foam boards.



W9*1



K6*8



L11*3



B16*6



J26*3



D1*22



D7*8



P10*6



S15*6



A1*42



B11*24



K11*1



Tripod Legs

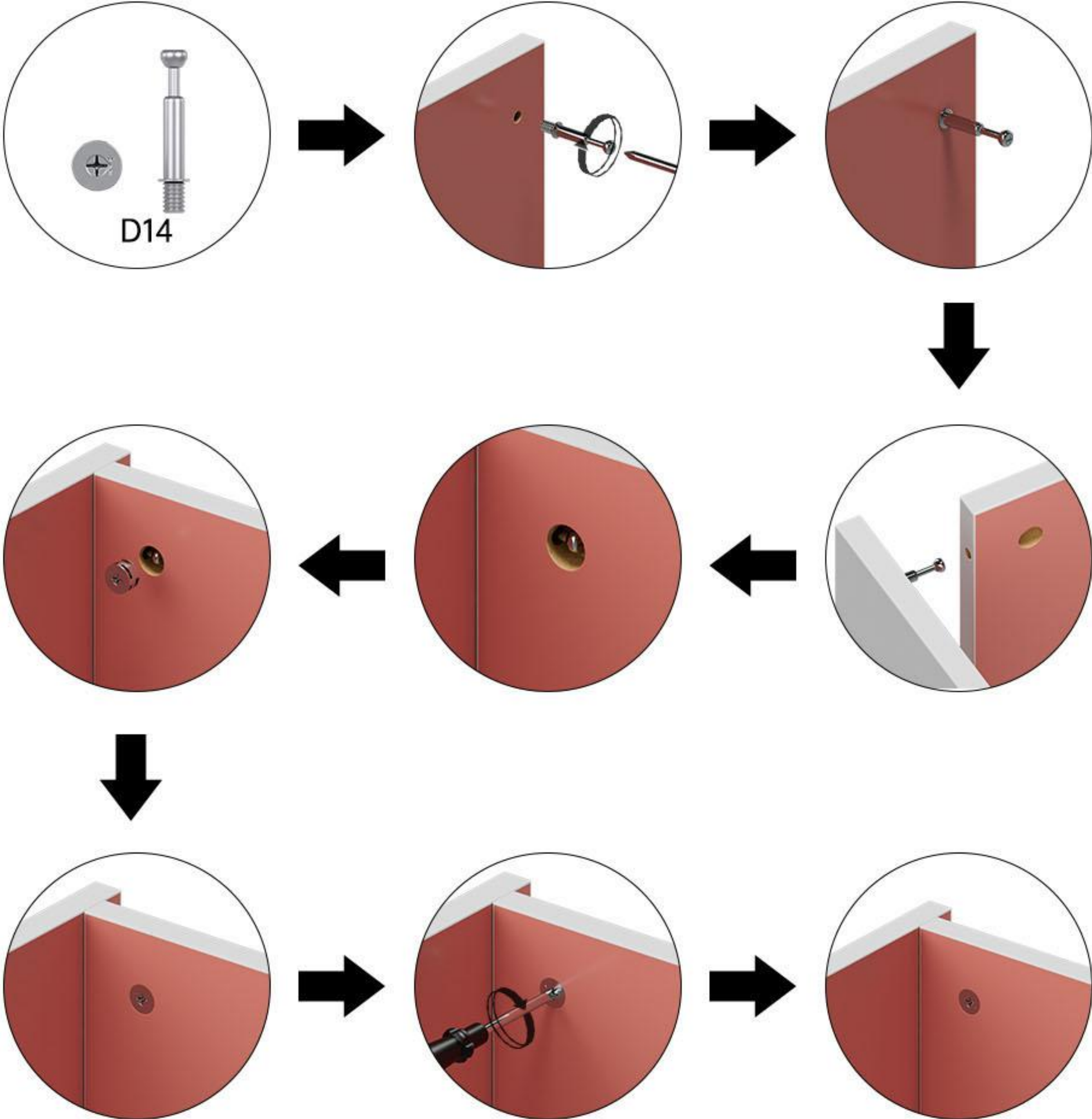


Cylindrical
Legs



Flip-bin hinge

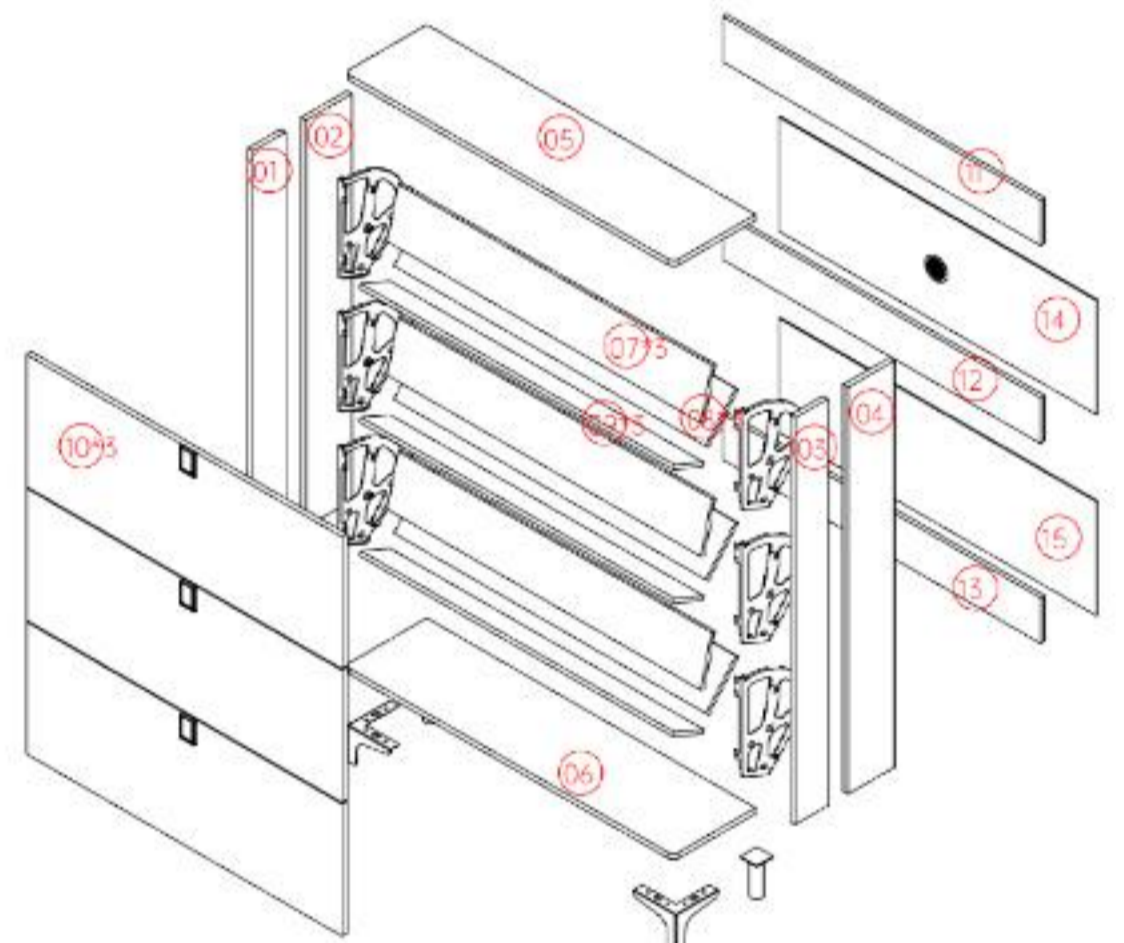
Installation method of eccentric screw



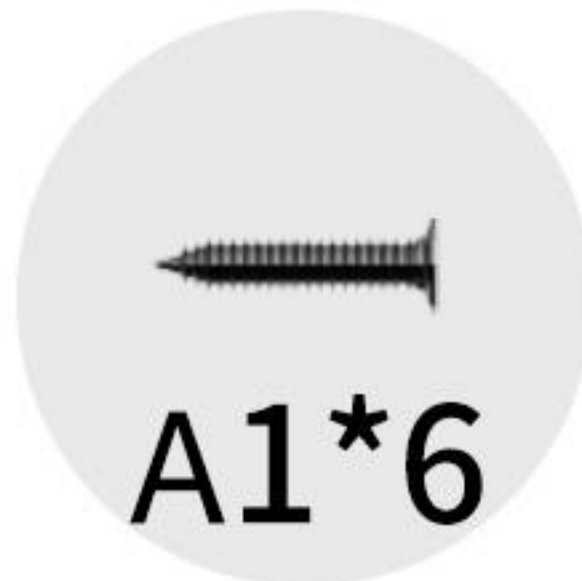
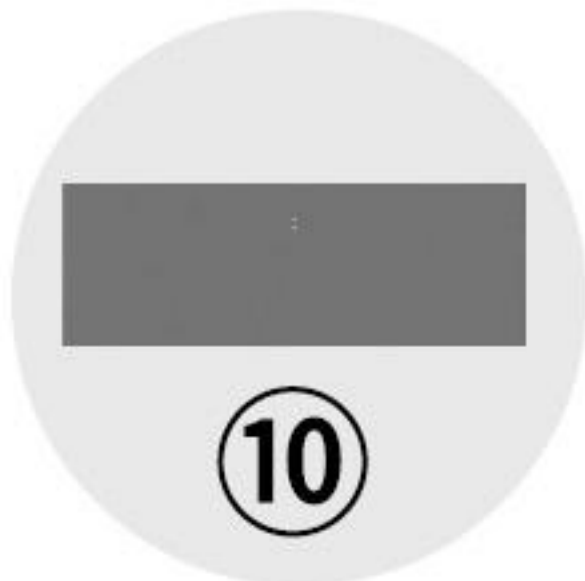
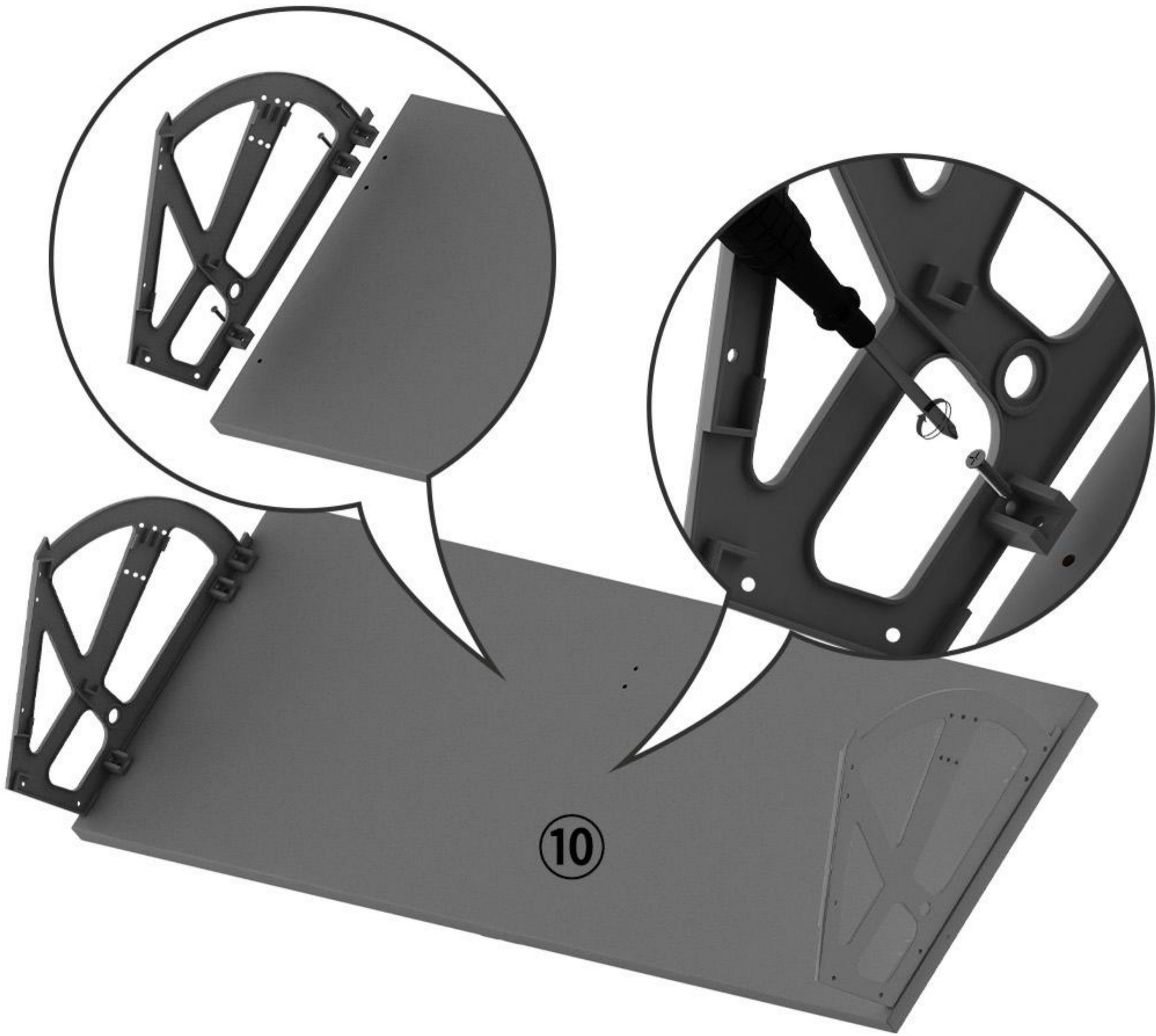
Presentation of finished product



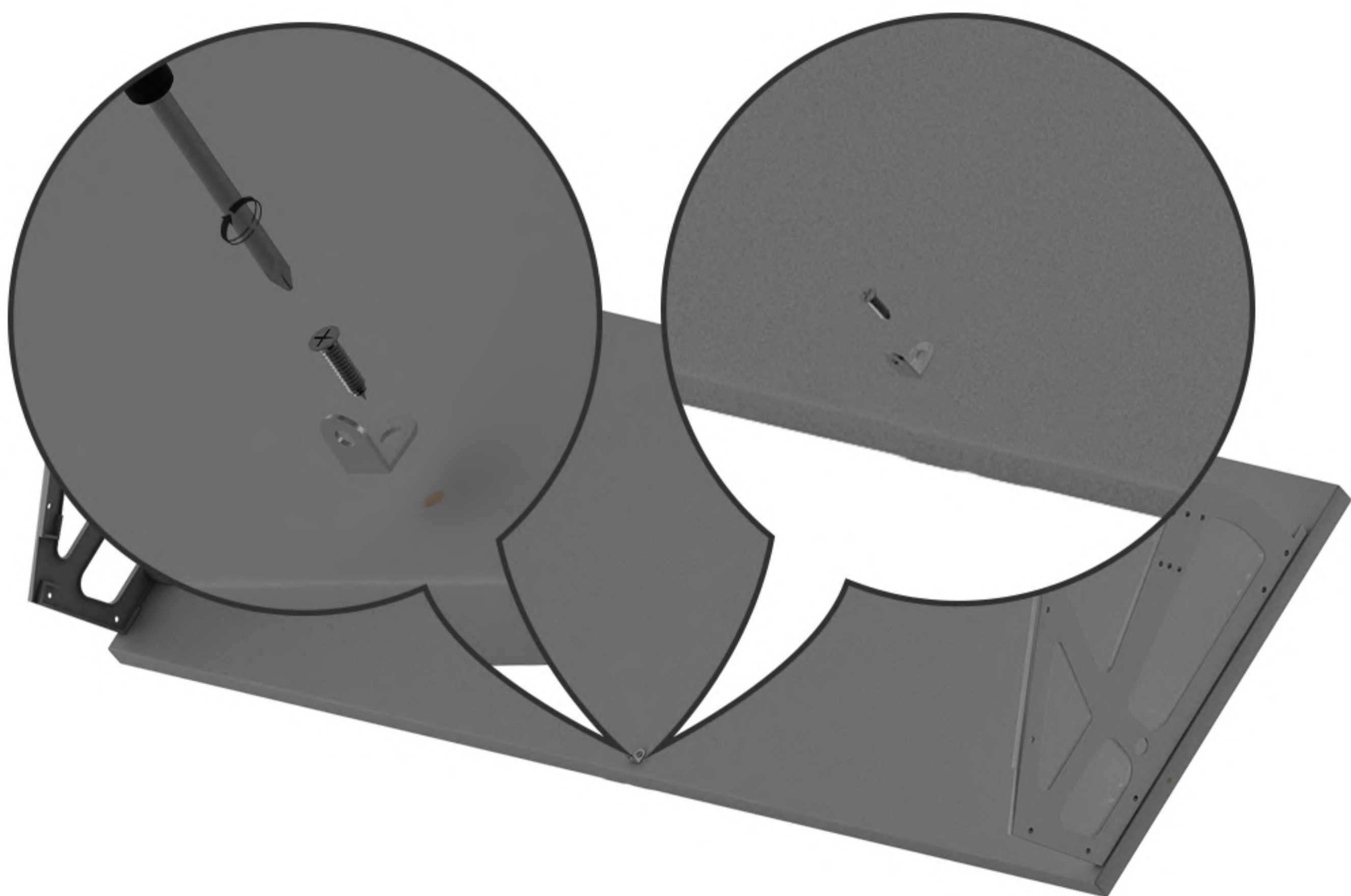
Product Split Diagram



1



2



L11



A1*1

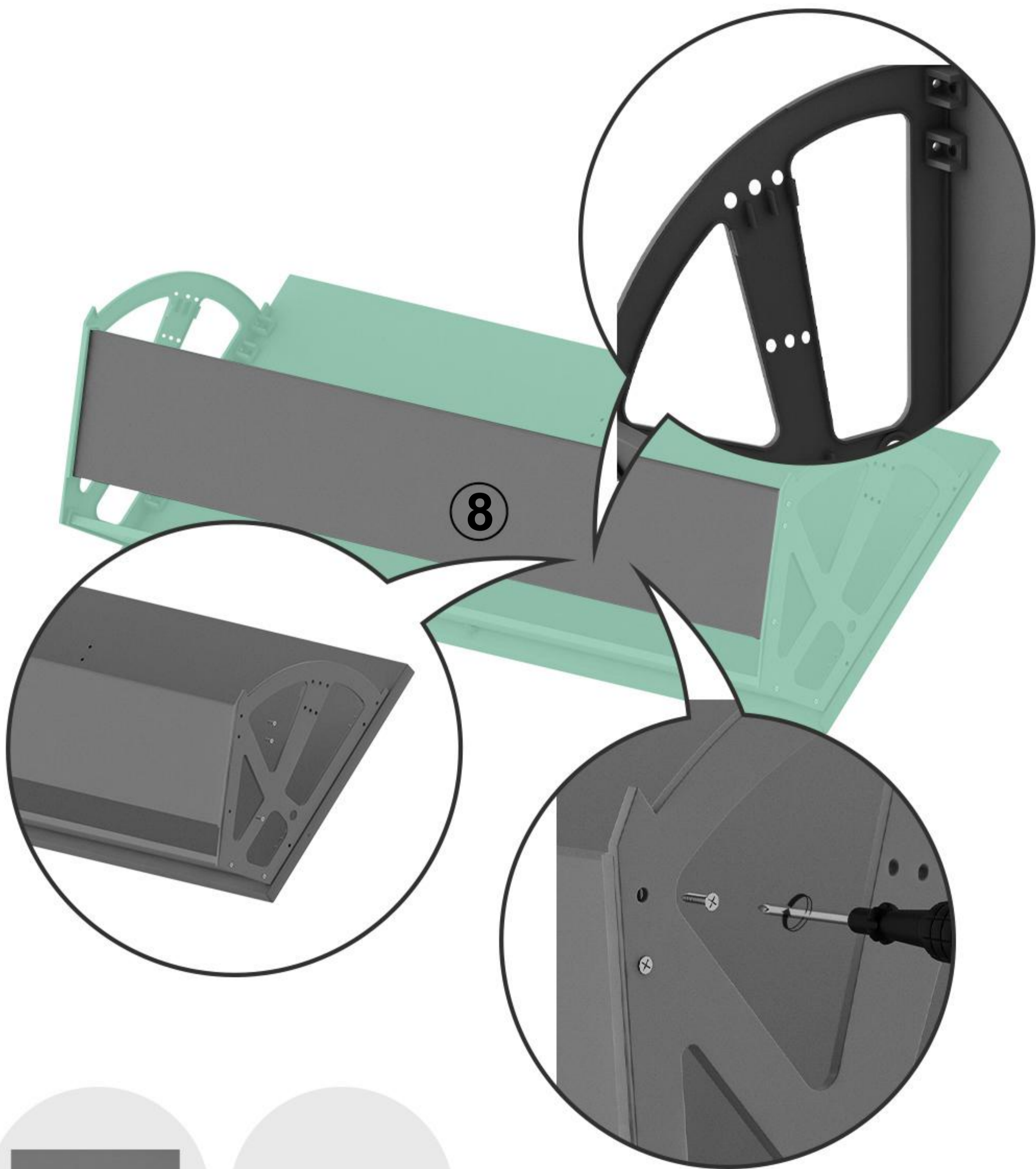
3



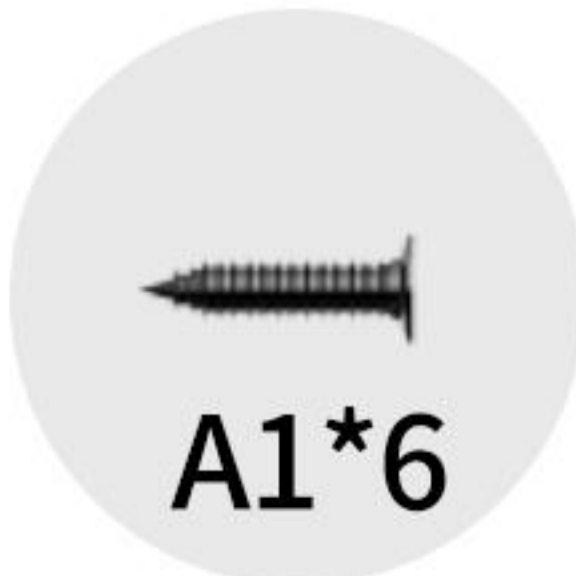
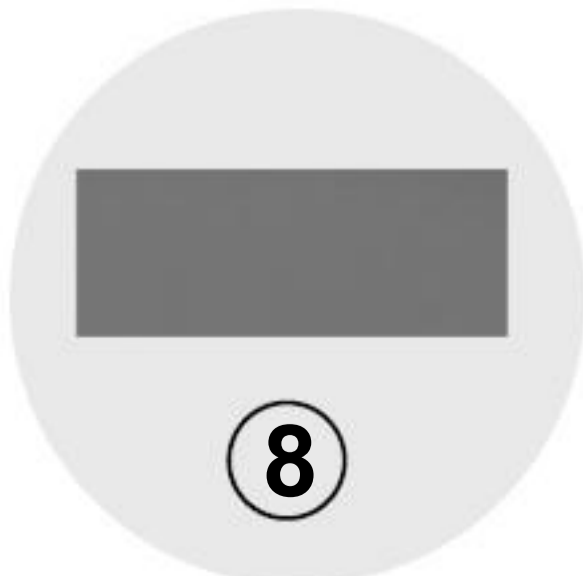
A1*4

4

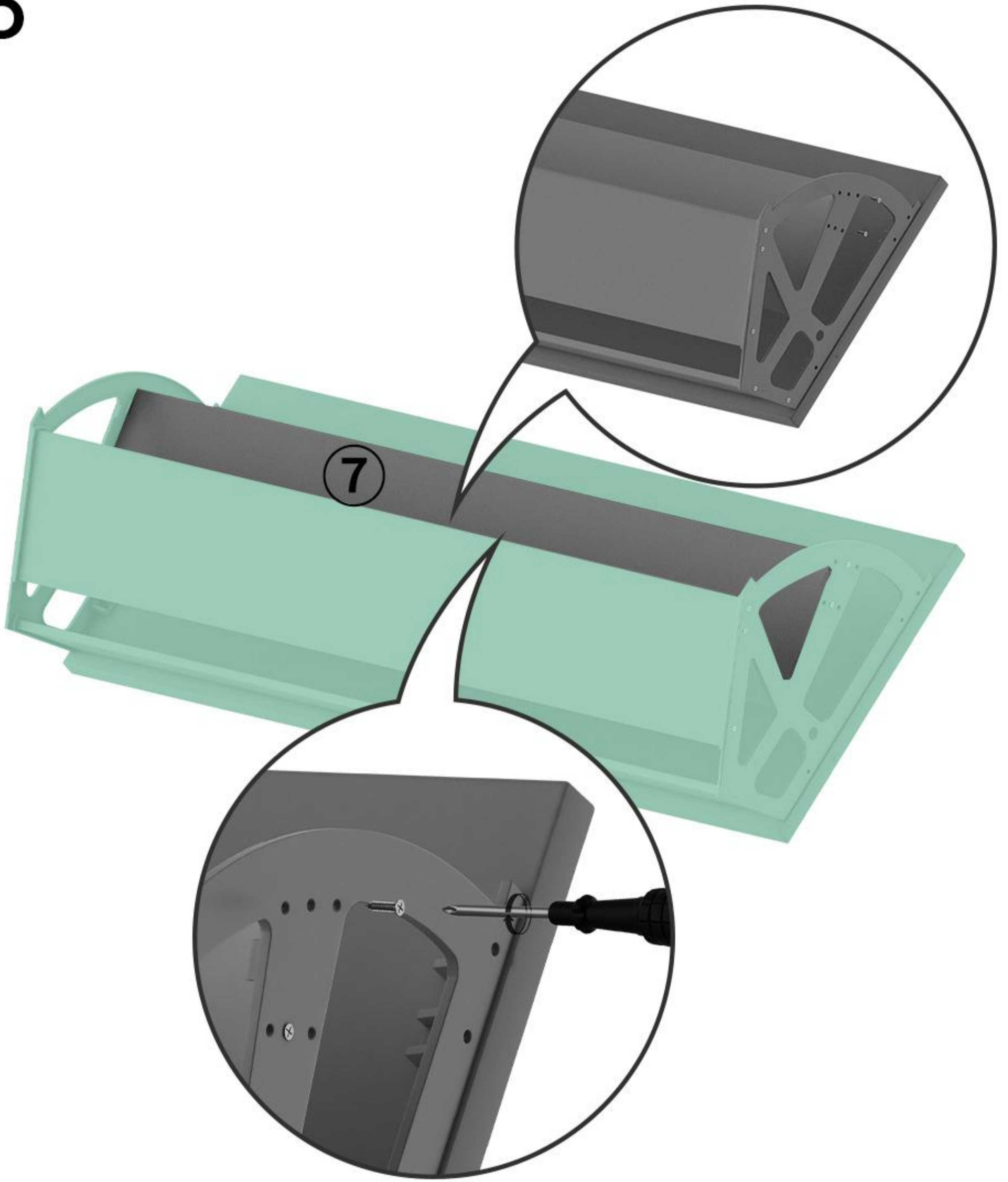
3 Adjustable Levels



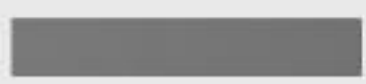
8



5

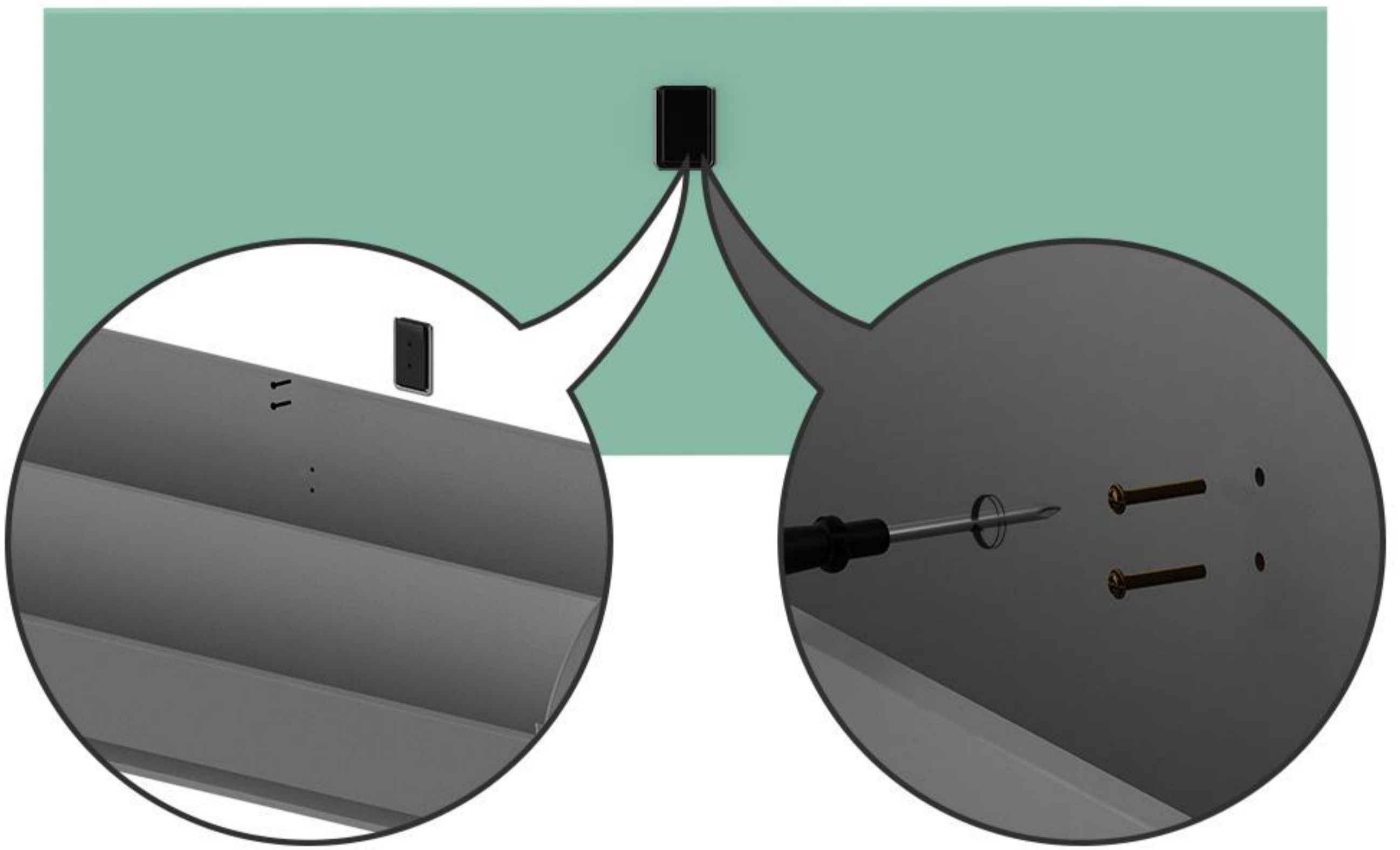


A1*4



7

6

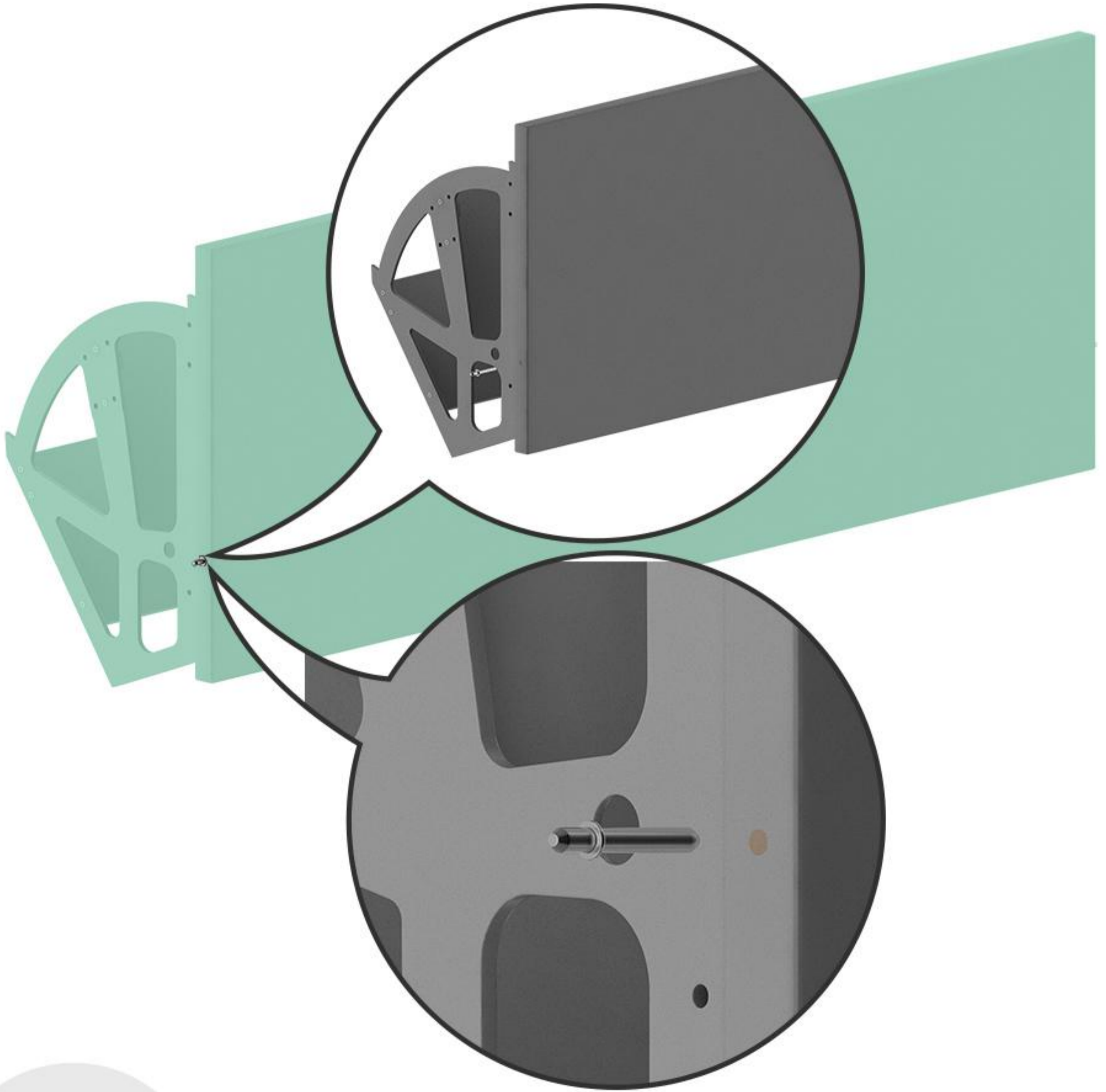


J62



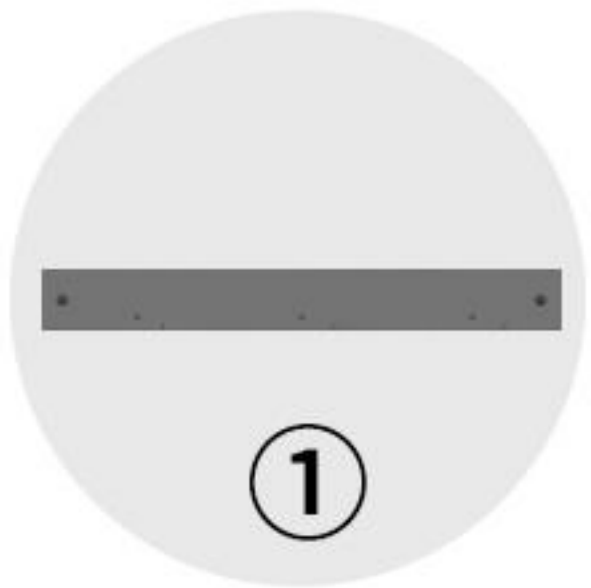
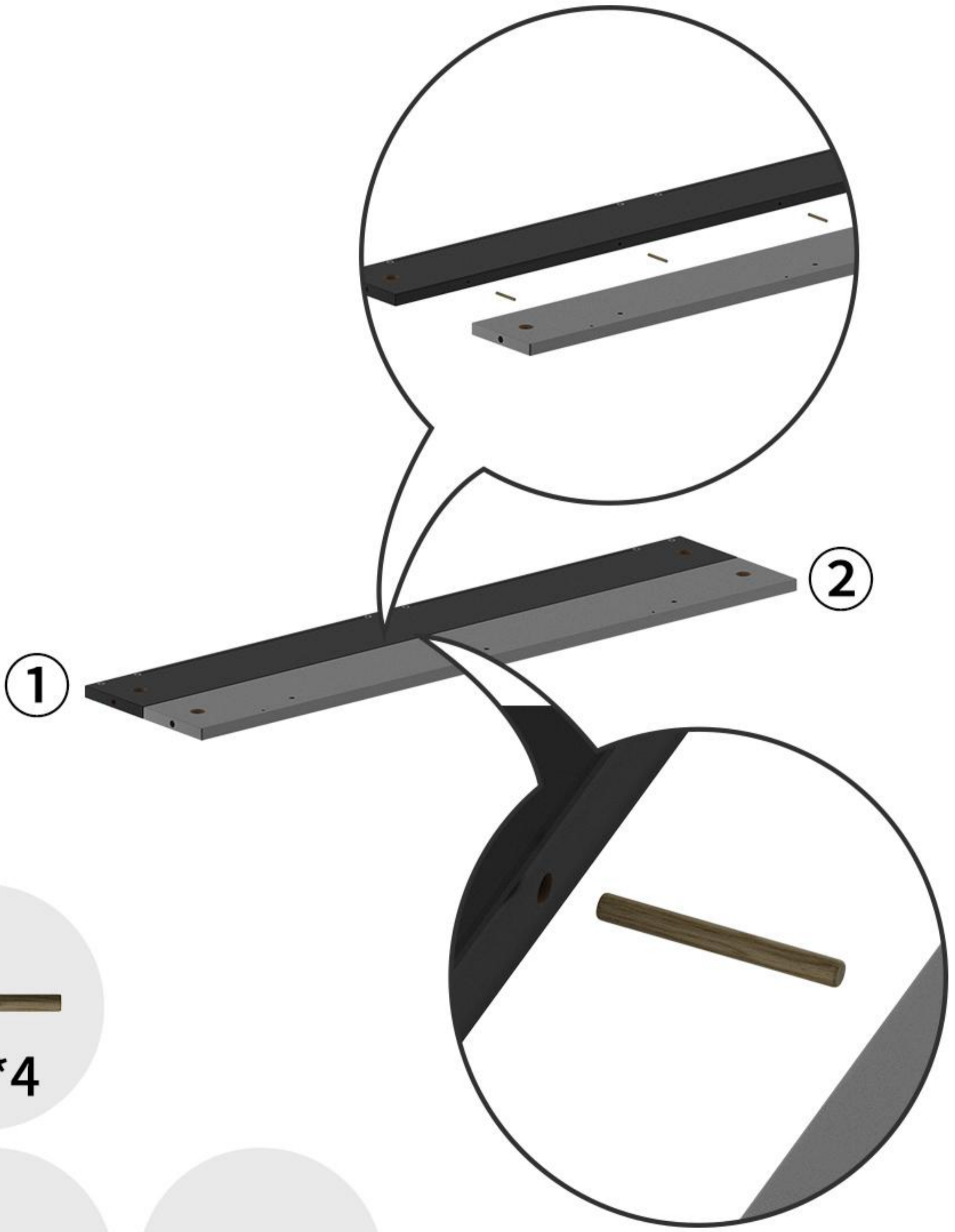
B16*2

7



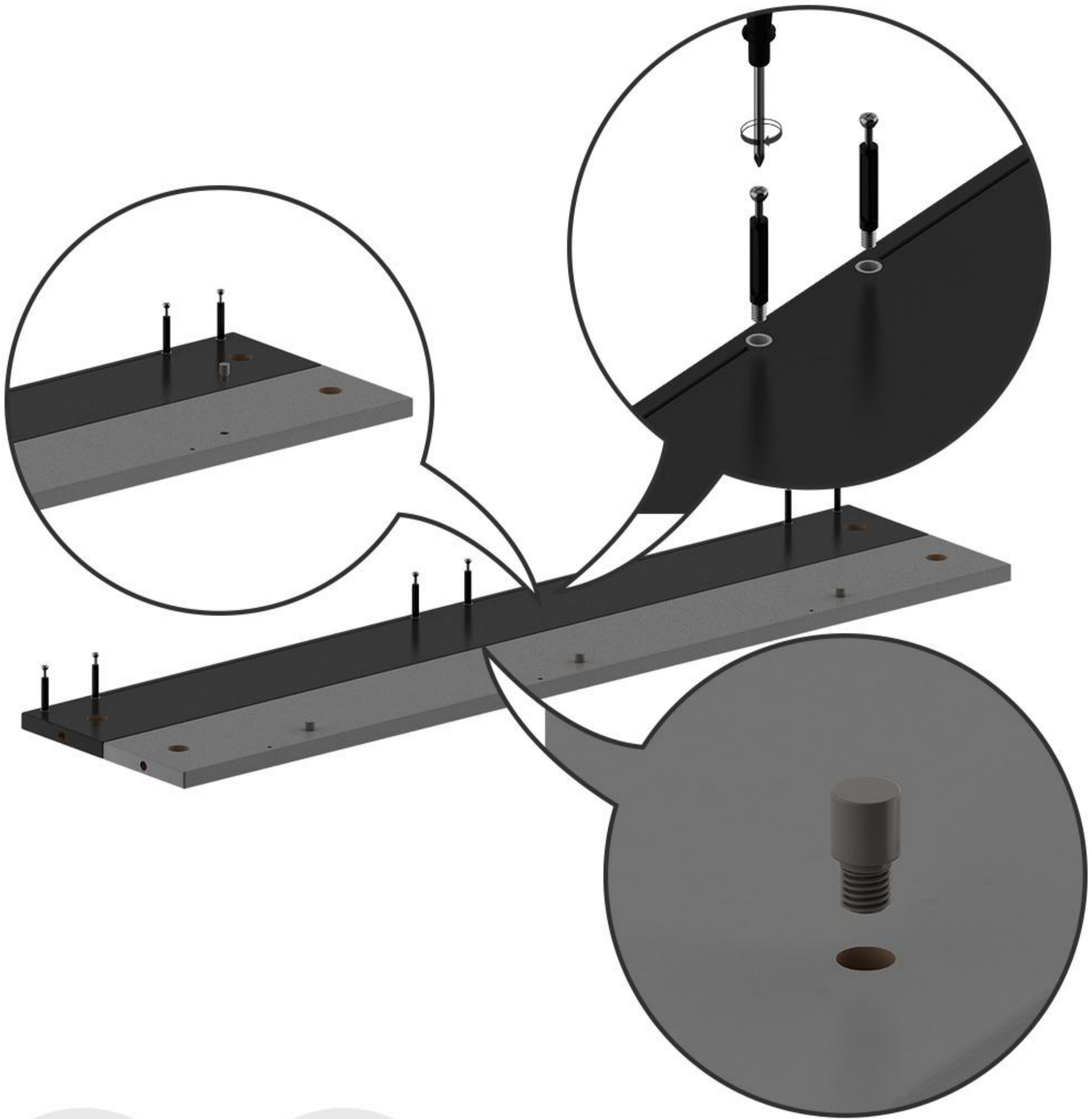
P10*2

8



9

Repeat steps 8-9 for panels ③ and ④

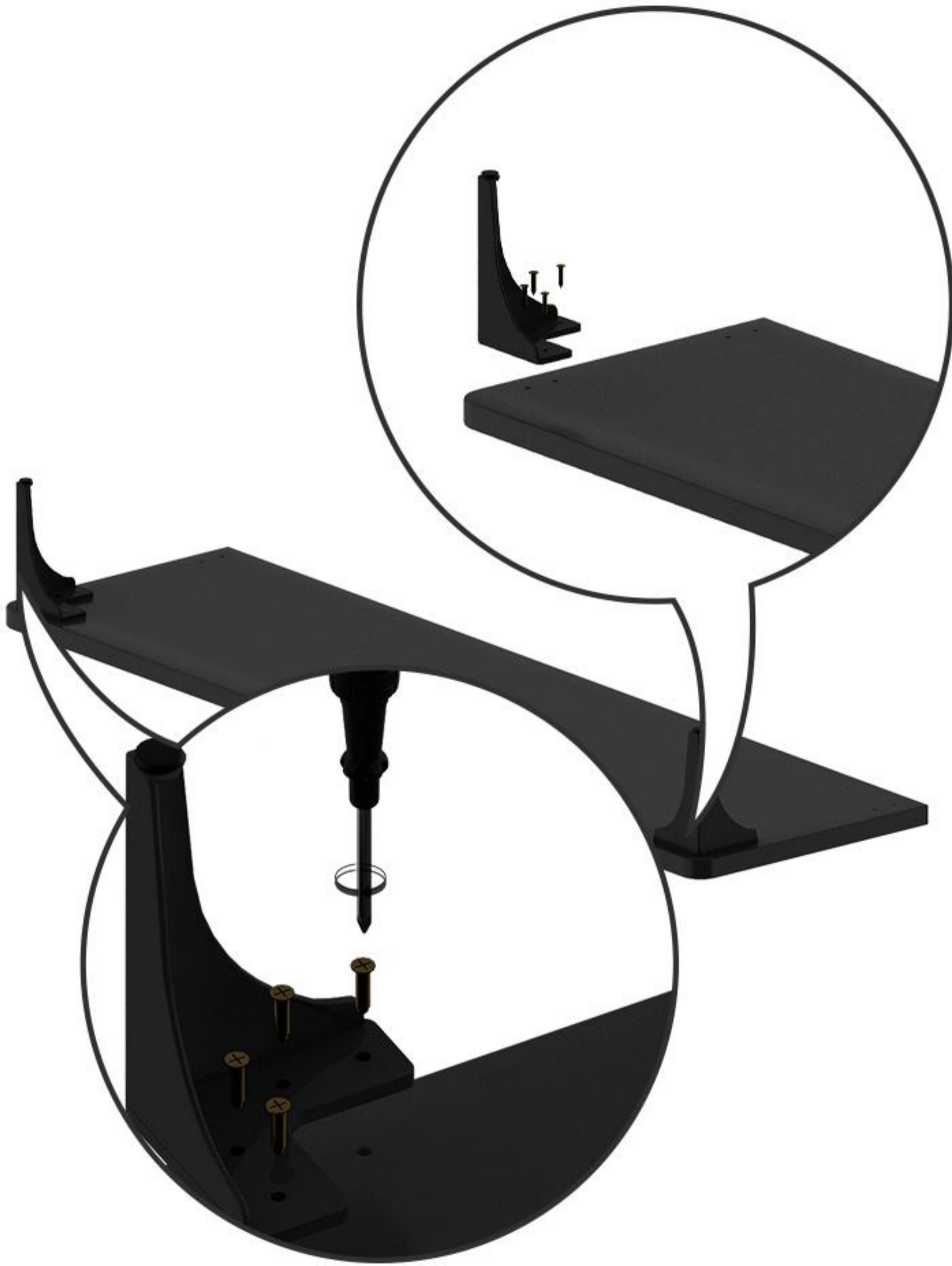


D1*6



S15*3

10

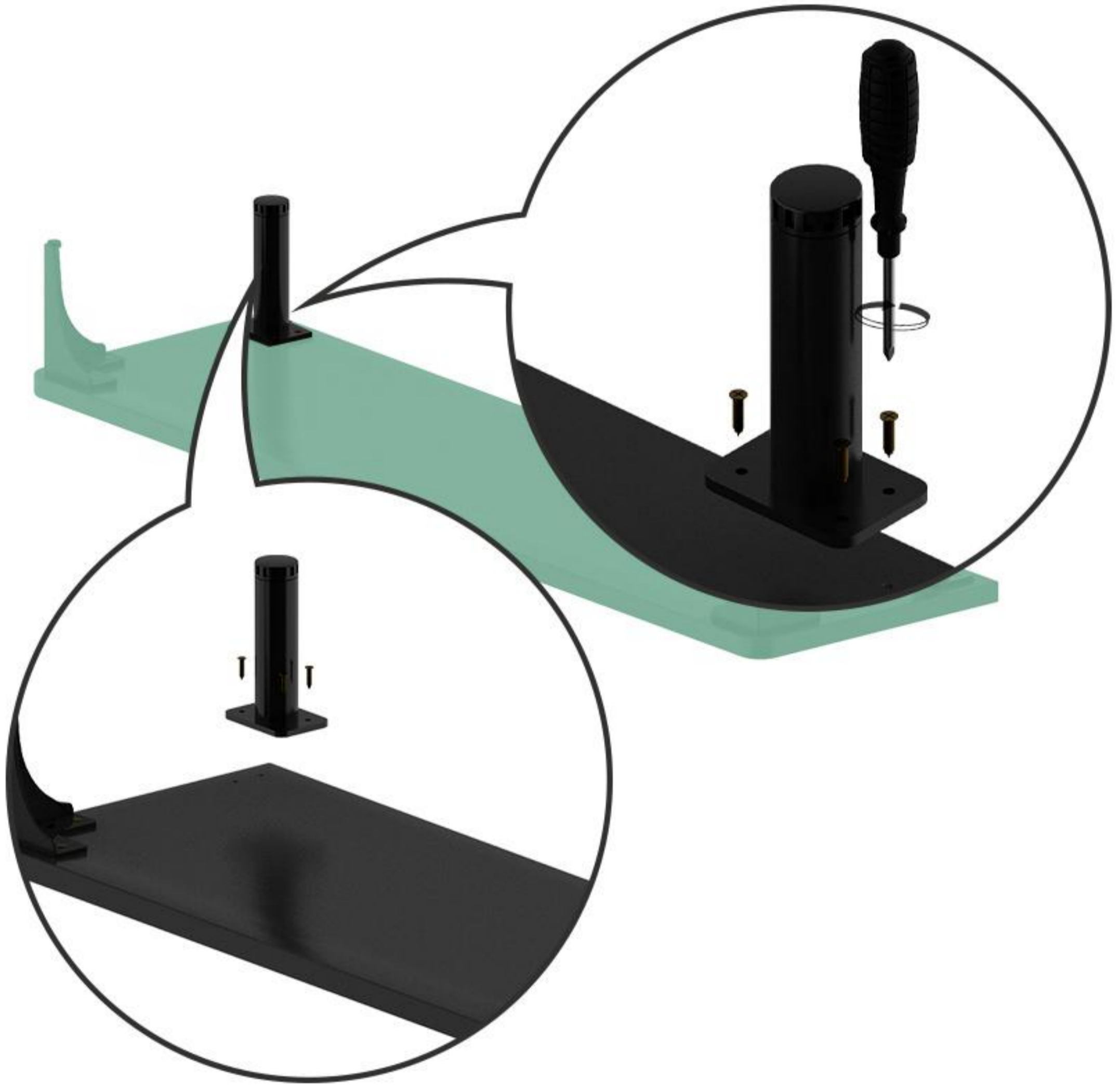


B11*8



Tripod Legs

11

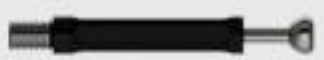
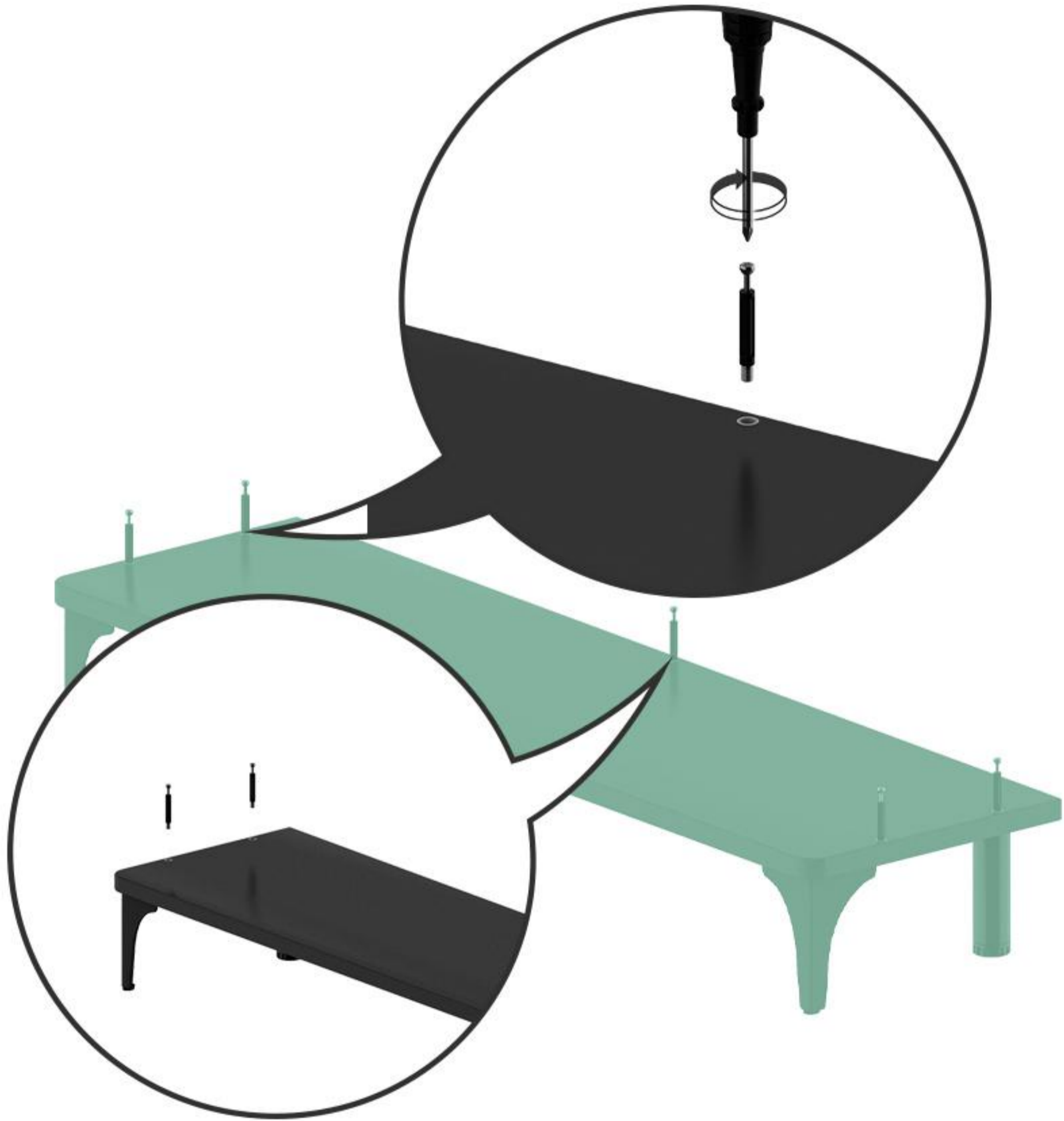


B11*4



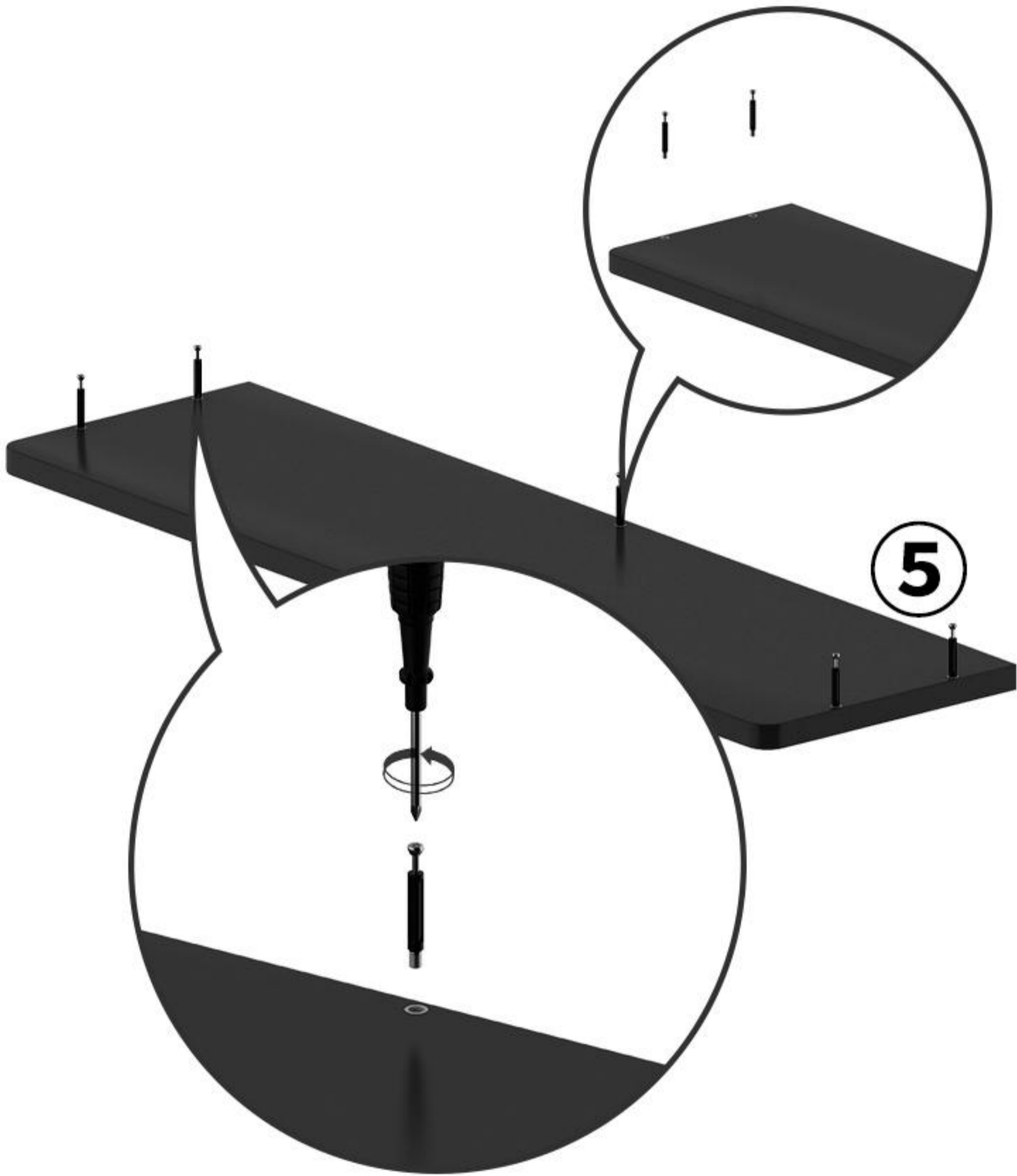
Cylindrical
Legs

12



D1*5

13

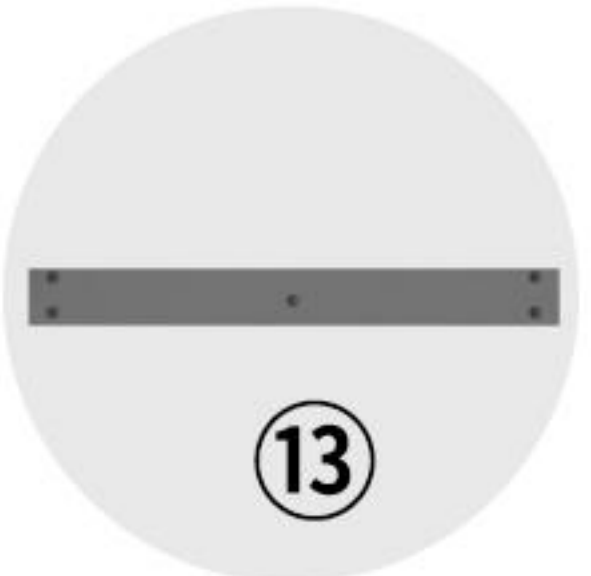
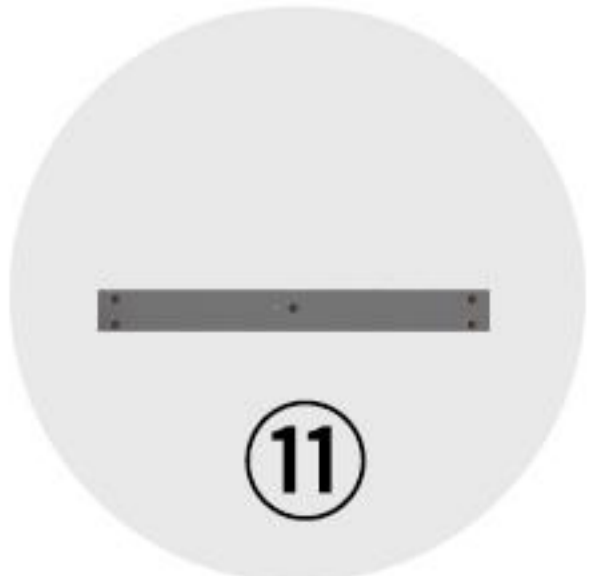
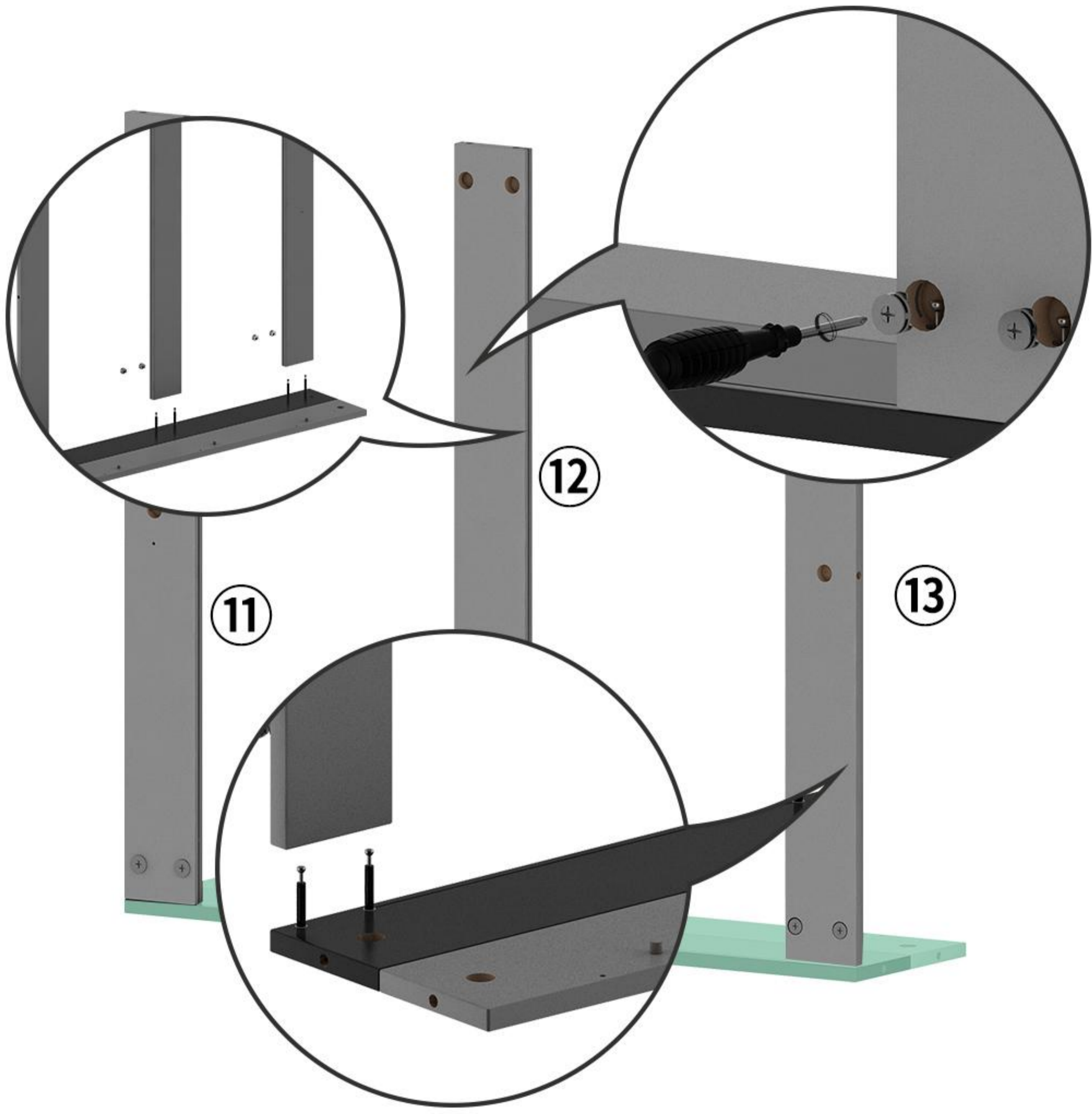


D1*5

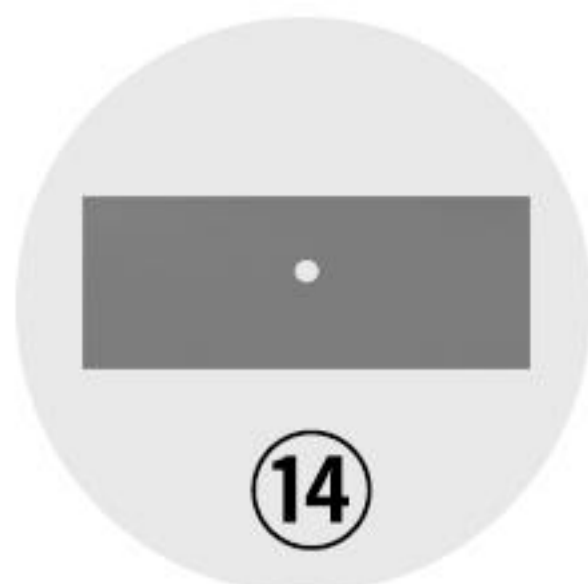
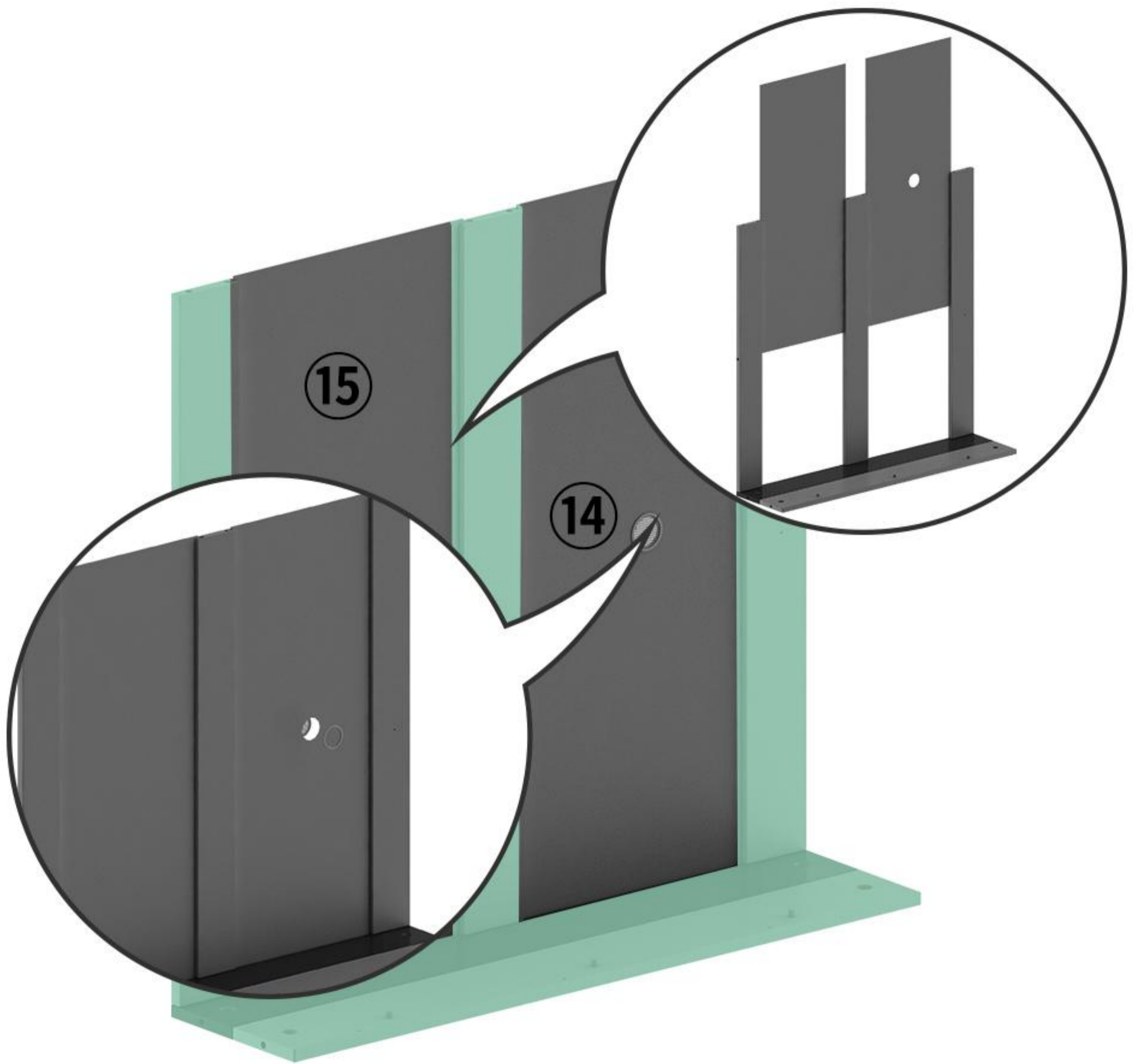


5

14



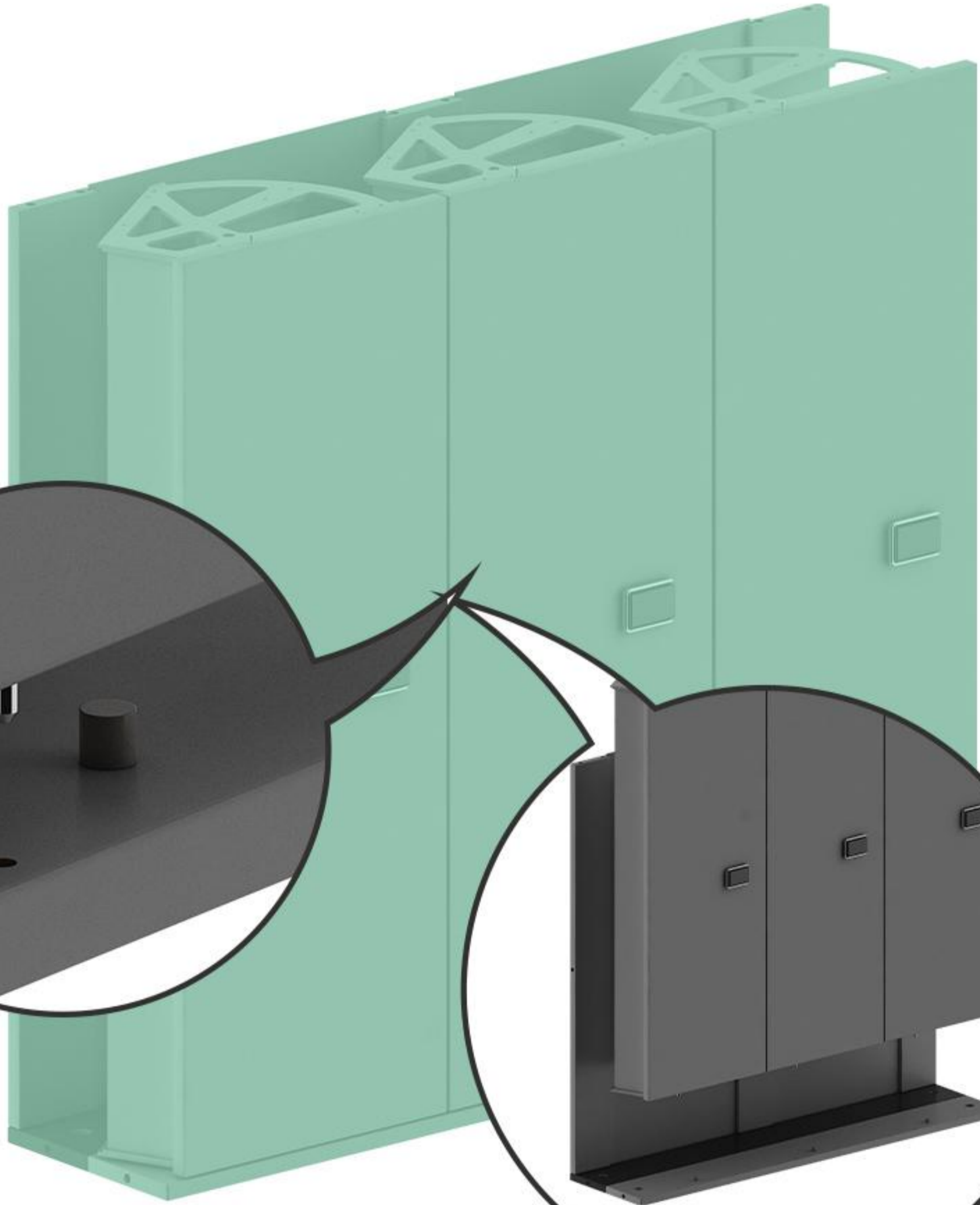
15



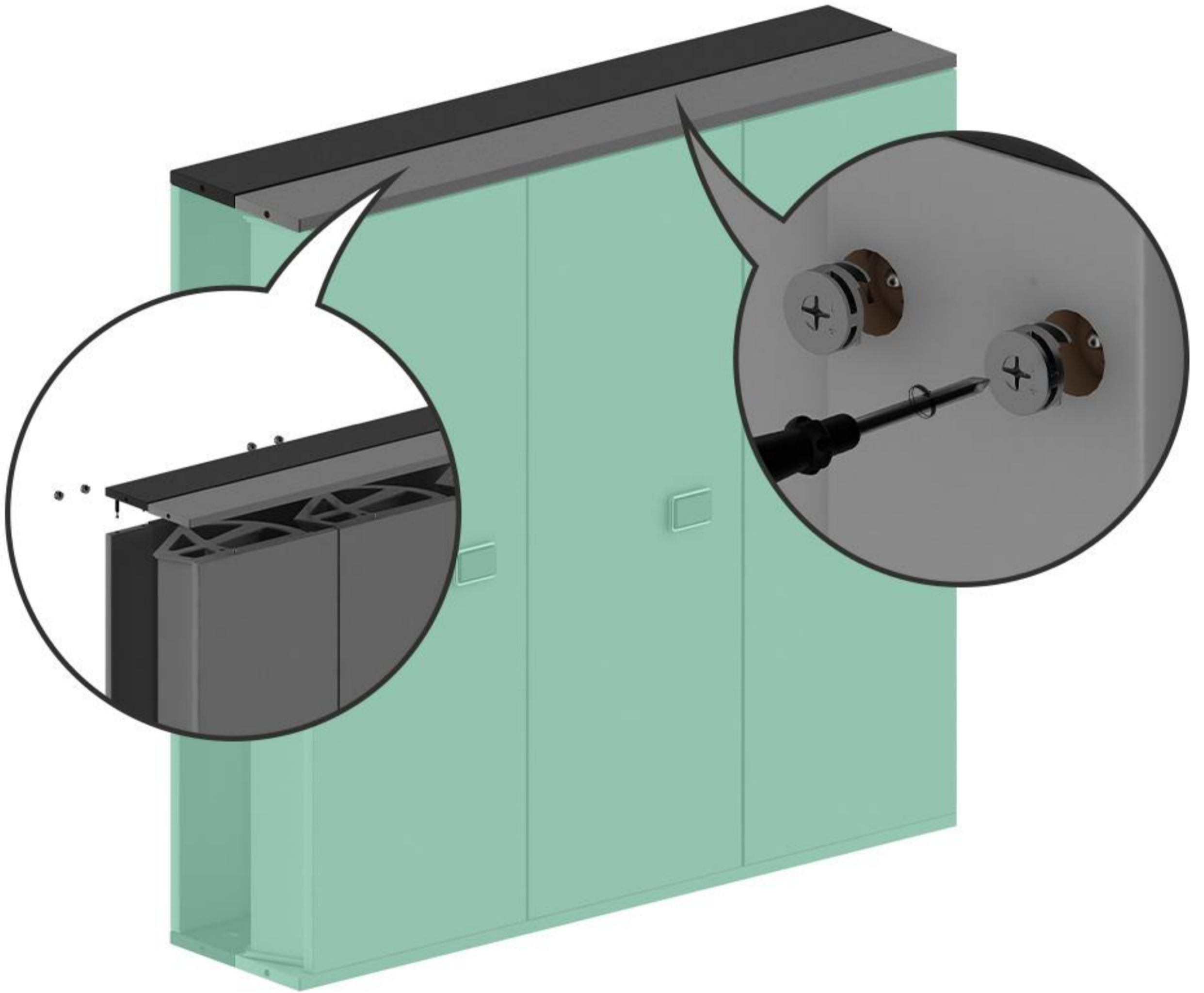
Board 14 and 15 are very THIN boards.

They might be packaged at the very bottom of all the boards or under the foam boards.

16

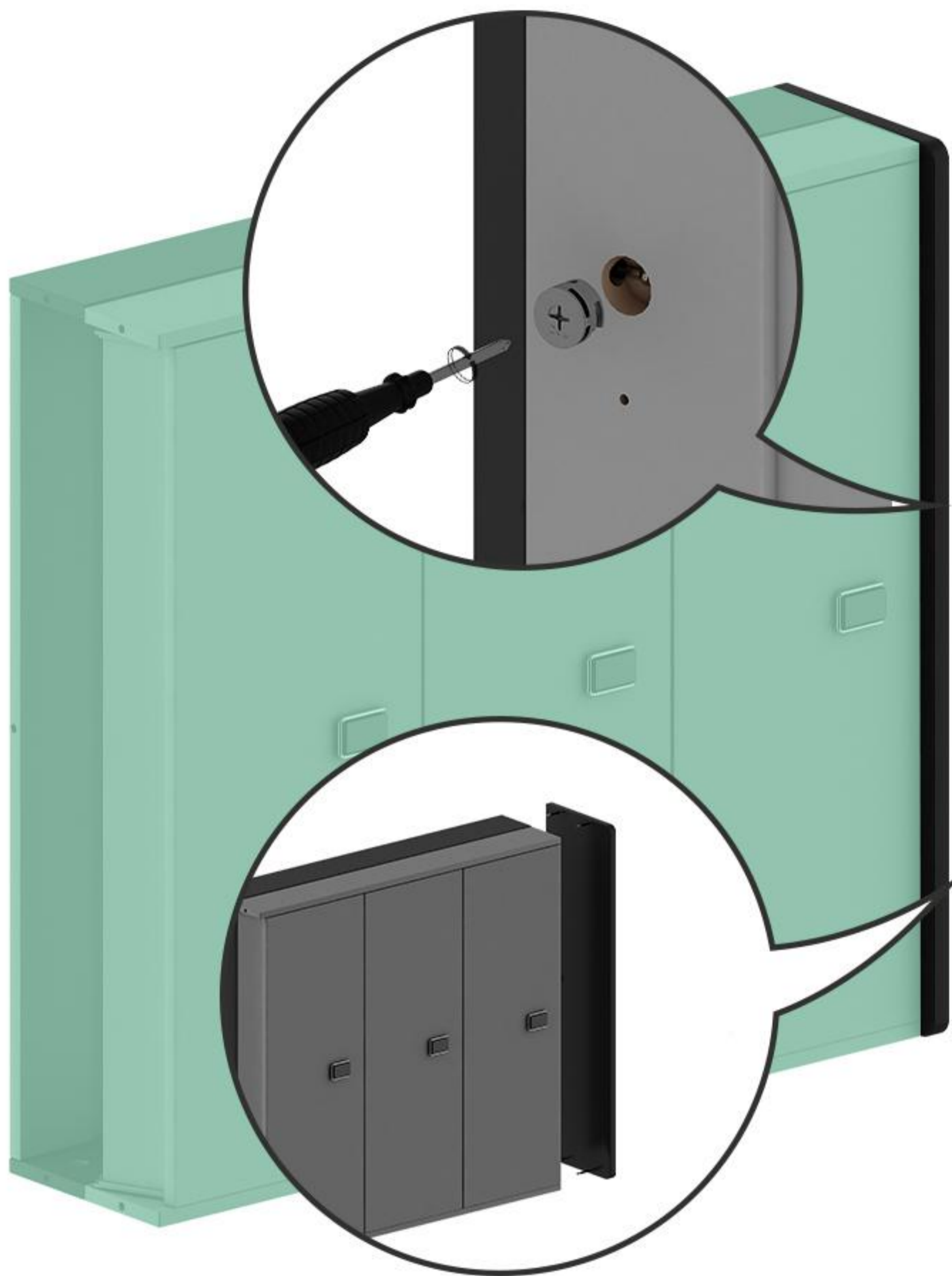


17



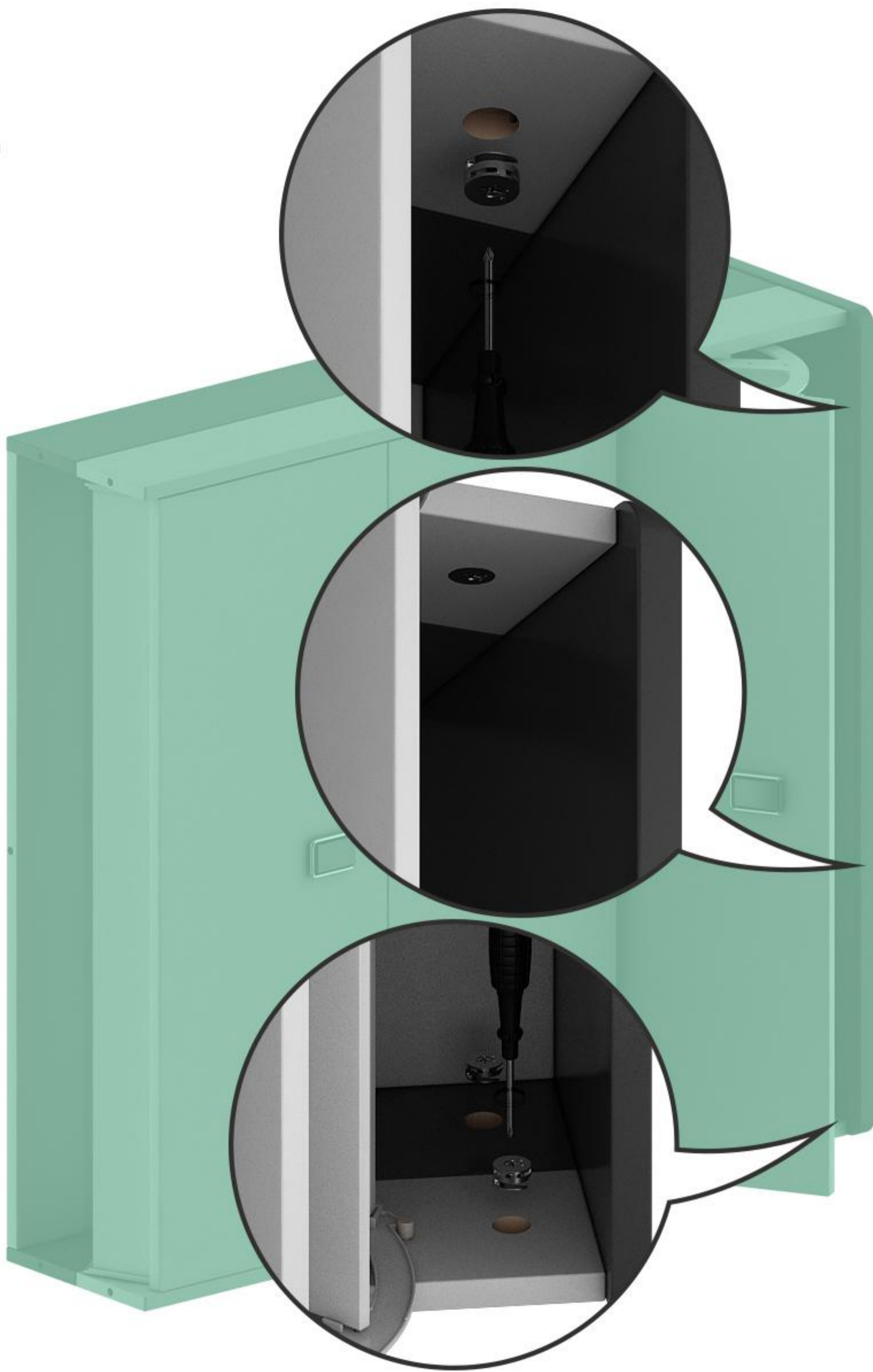
D1*6

18



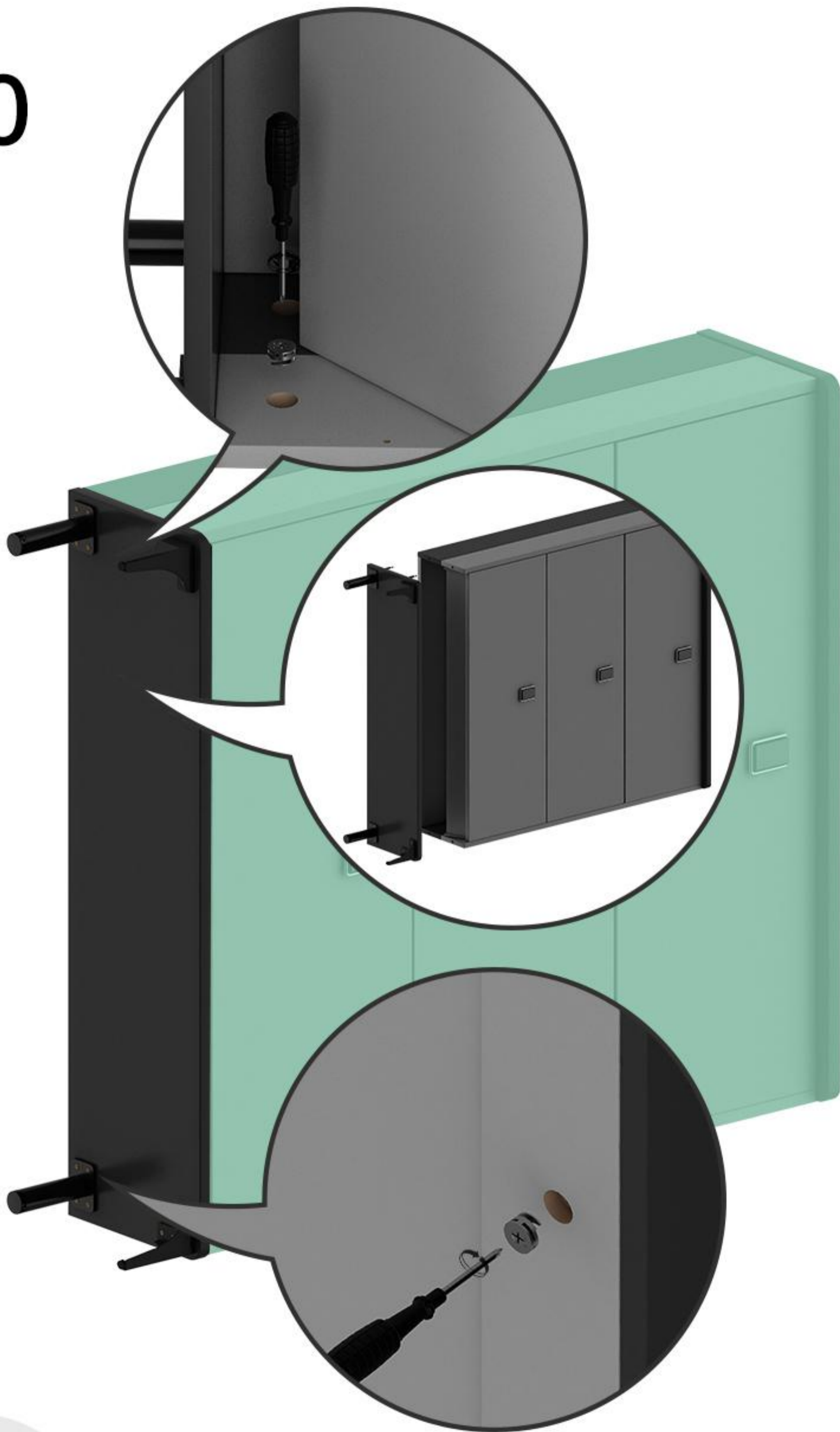
D1*1

19



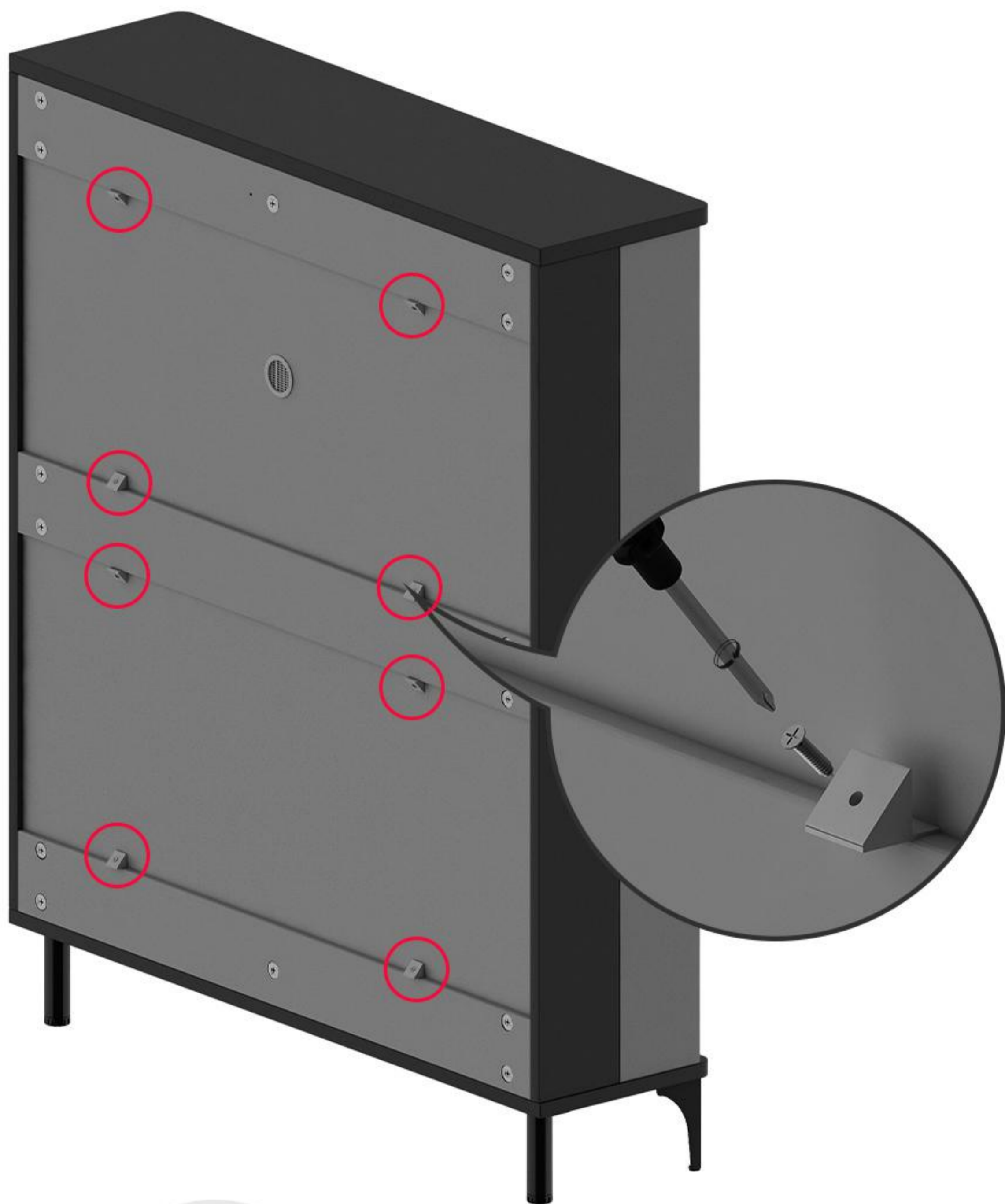
D1*4

20



D1*5

21



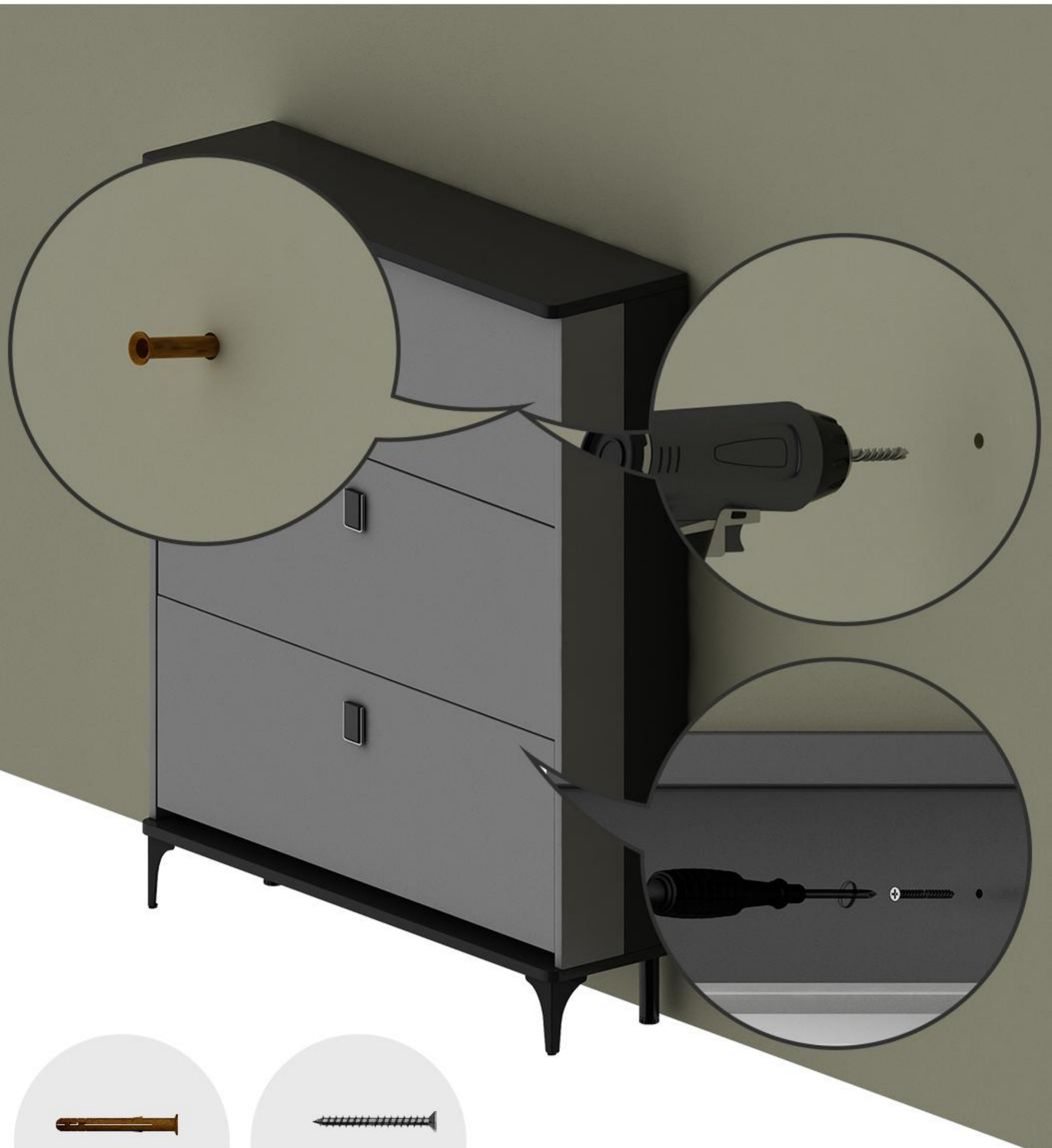
K6*8



A1*8

22

If needed, the shoe cabinet can be fixed to the wall. First, mark the positions on the wall.



W9



B13

23

