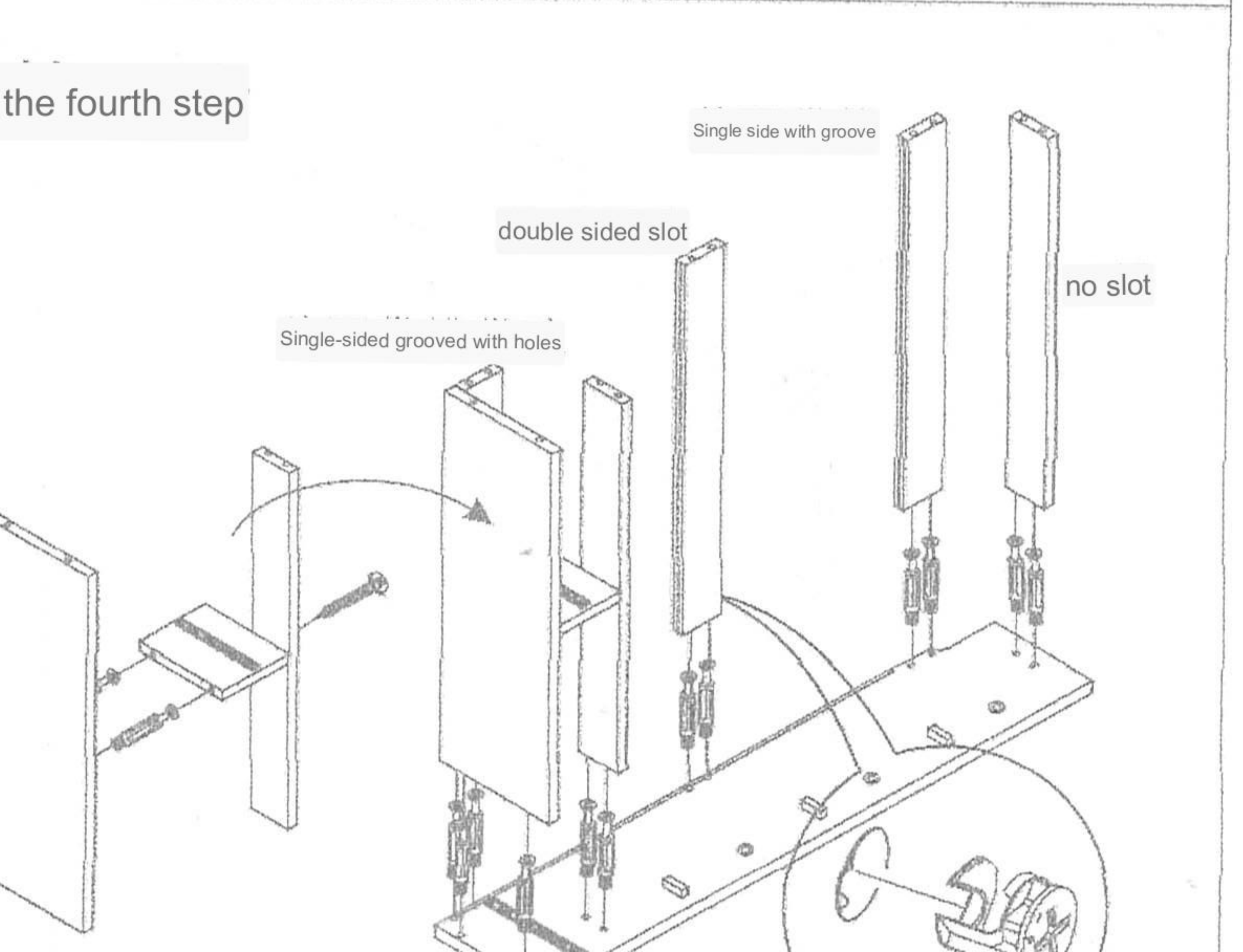
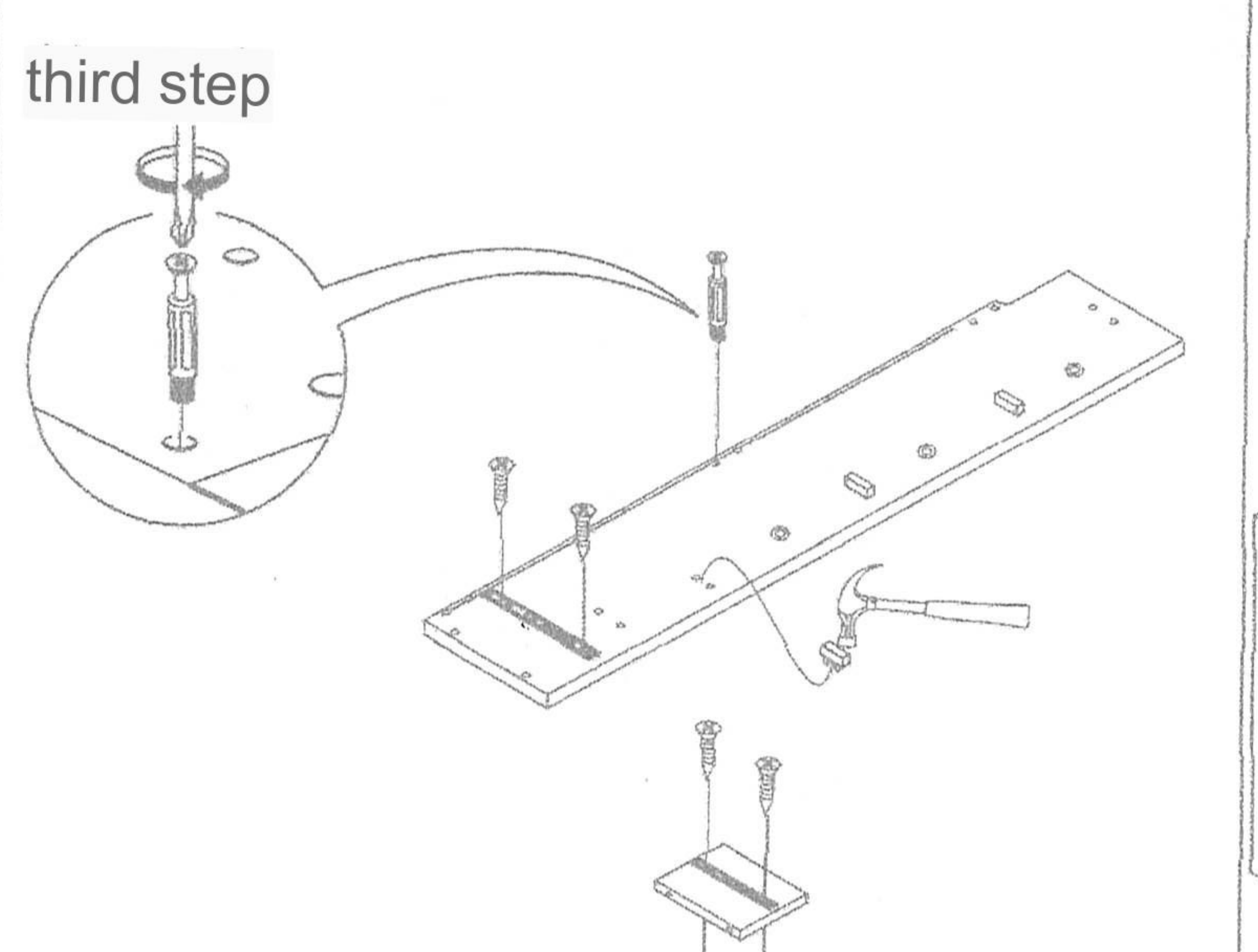
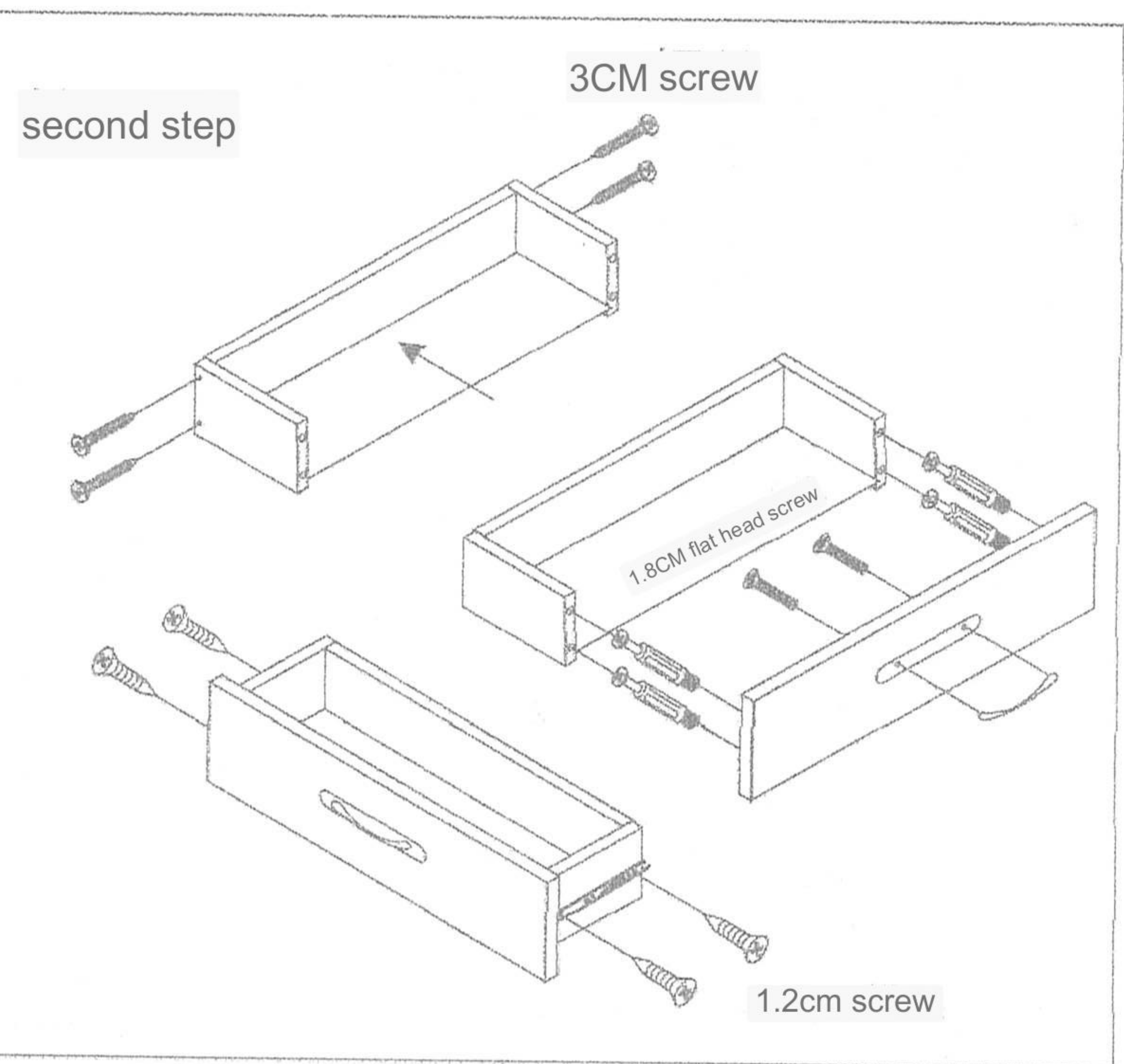
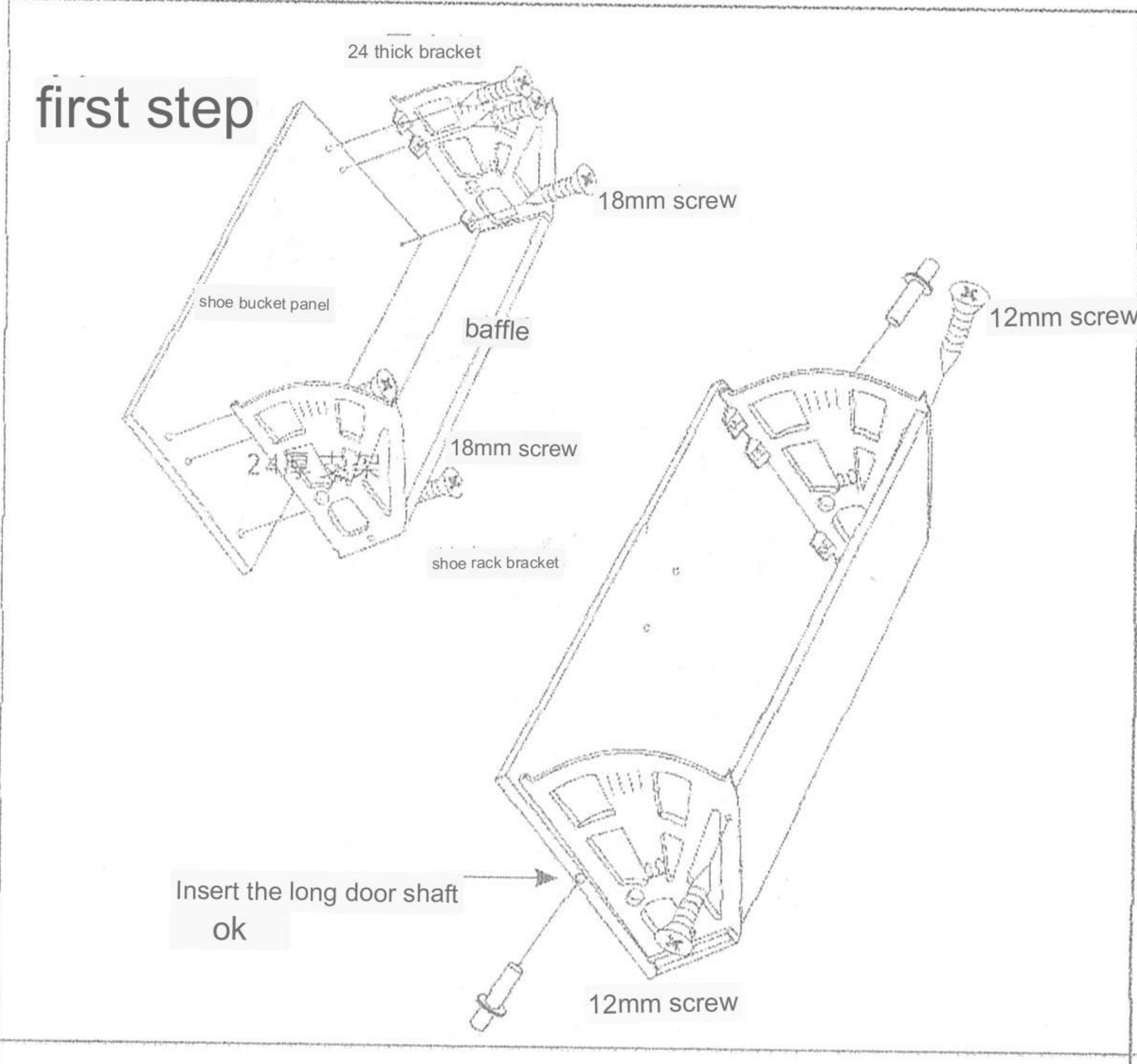
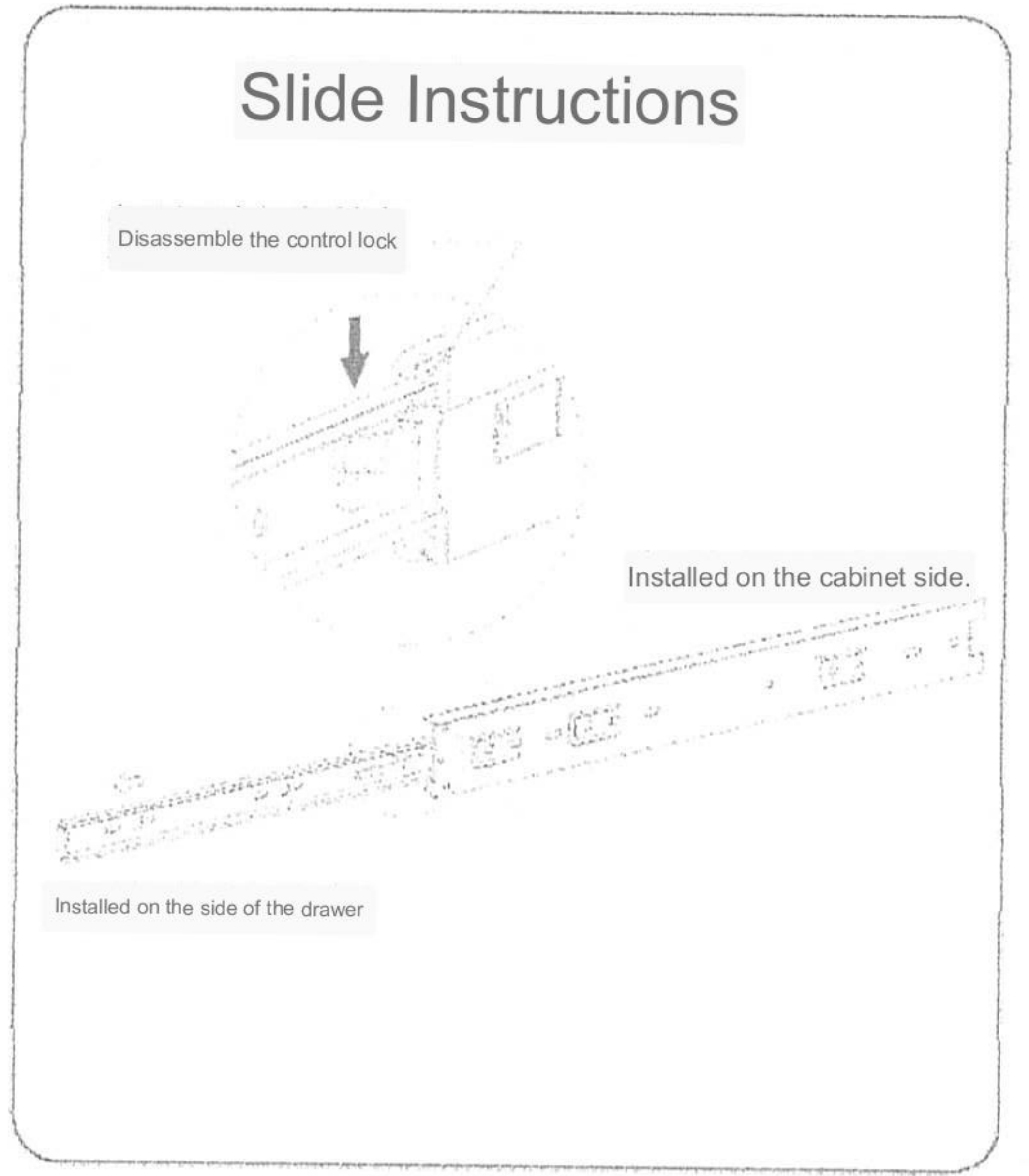
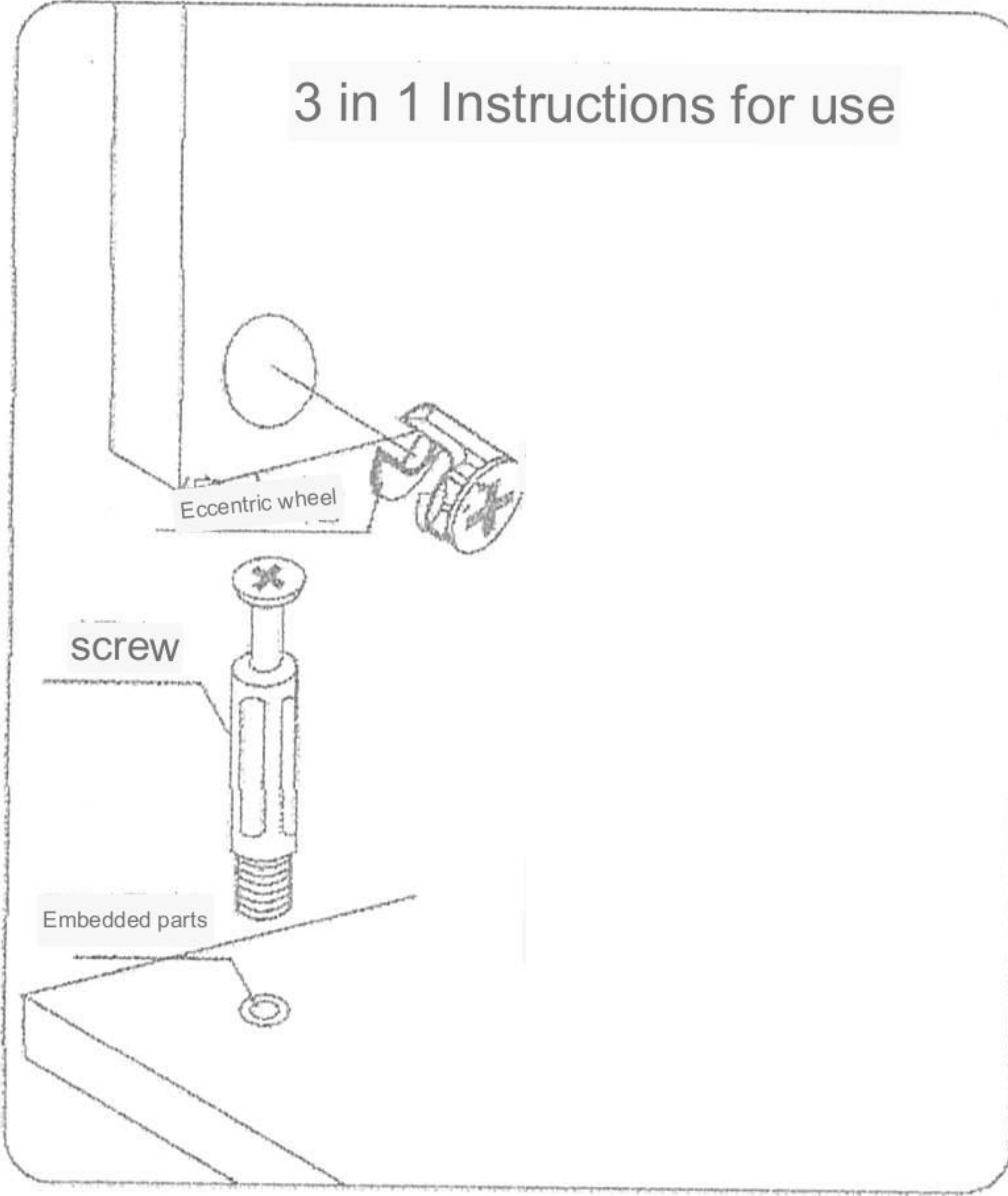
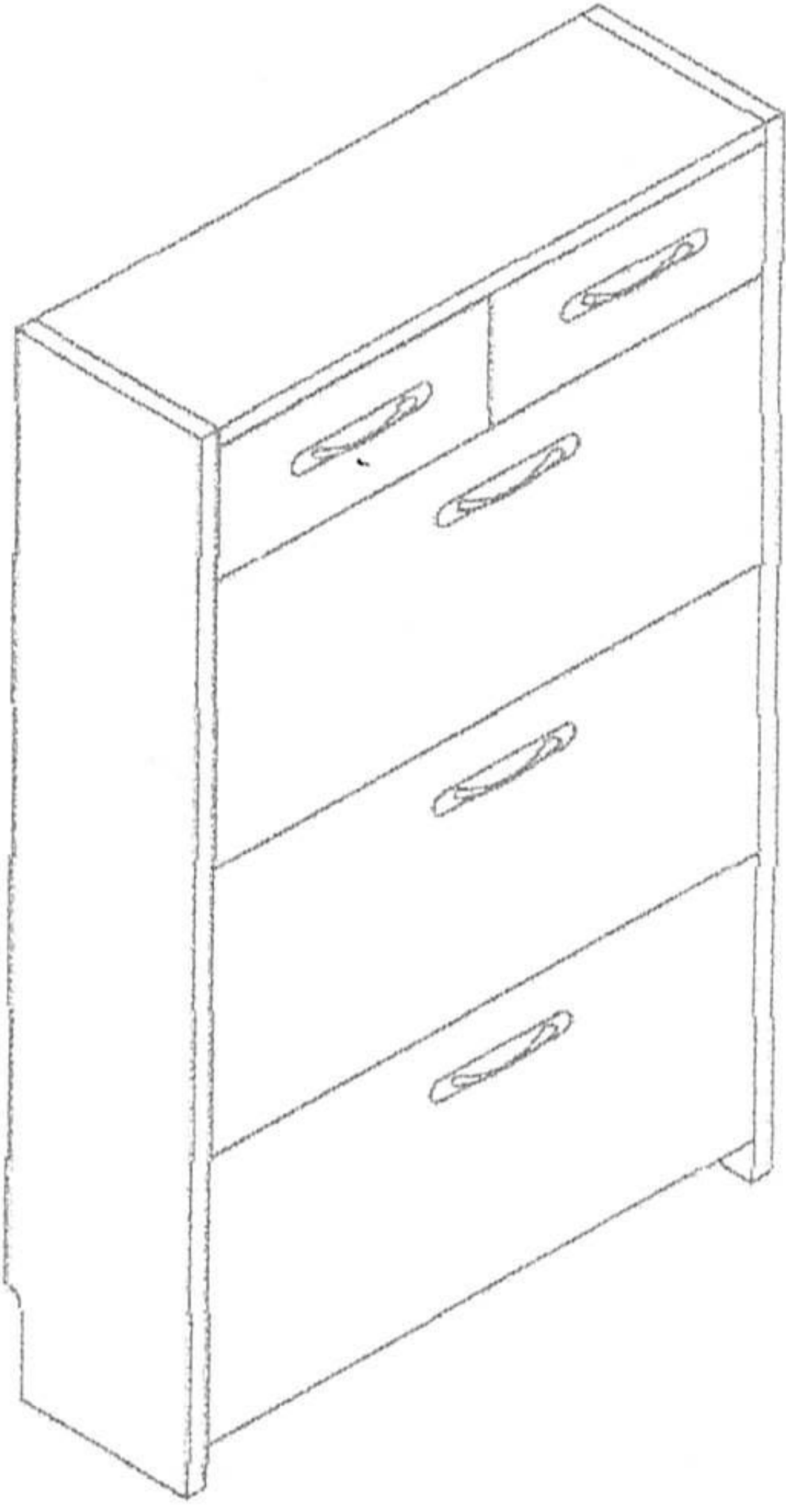
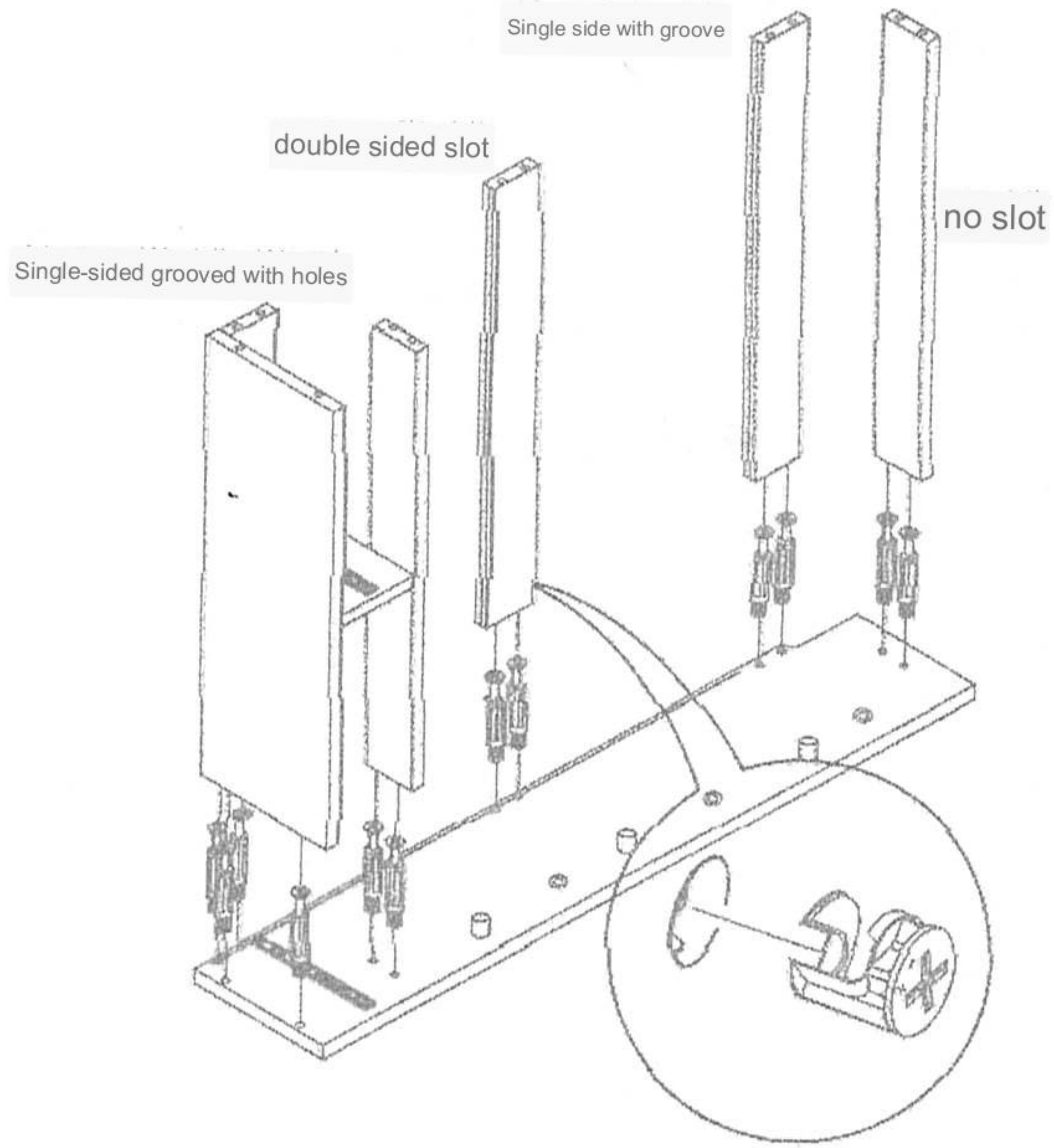


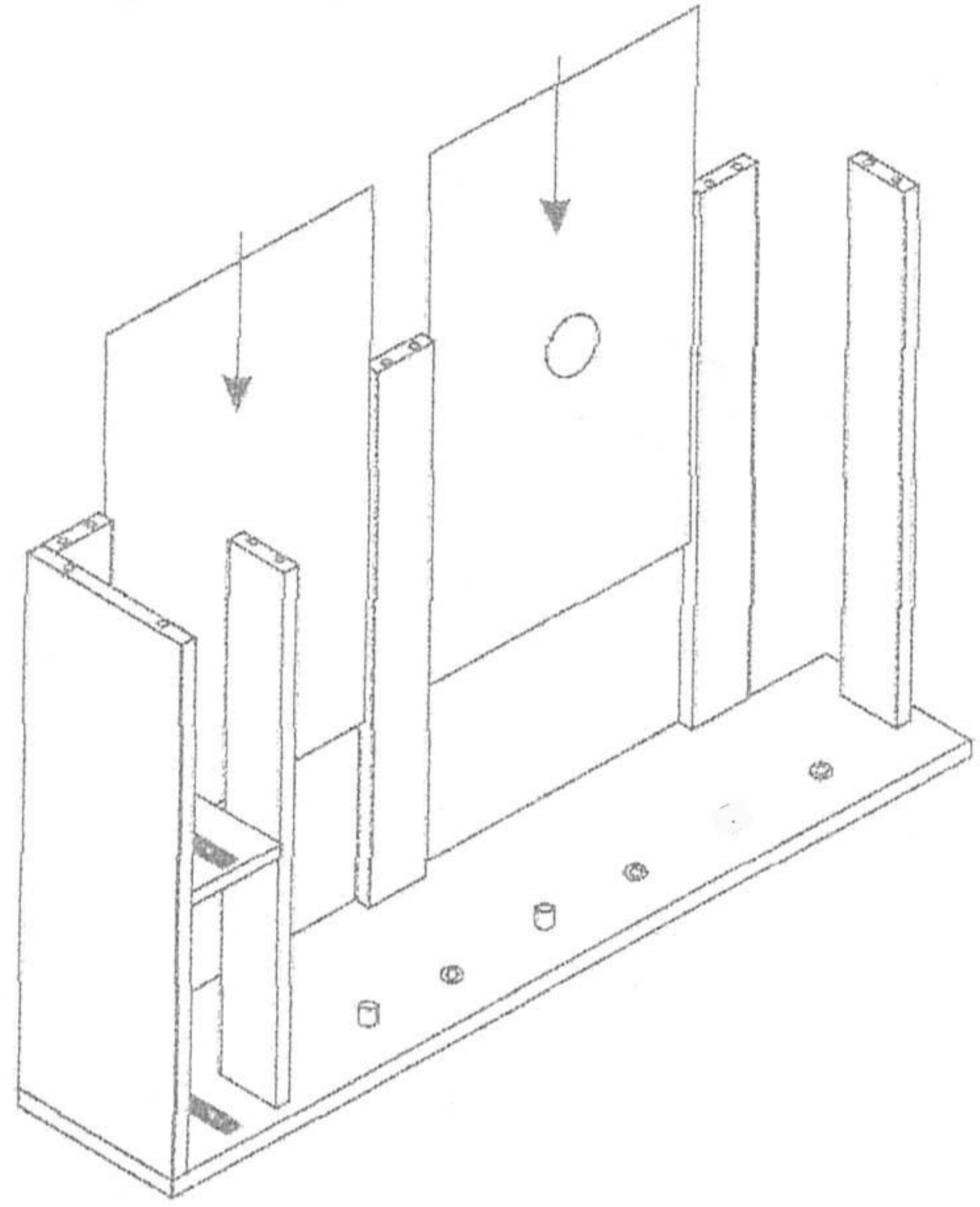
Installation diagram of 24 thick double drawer shoe cabinet



the fifth step

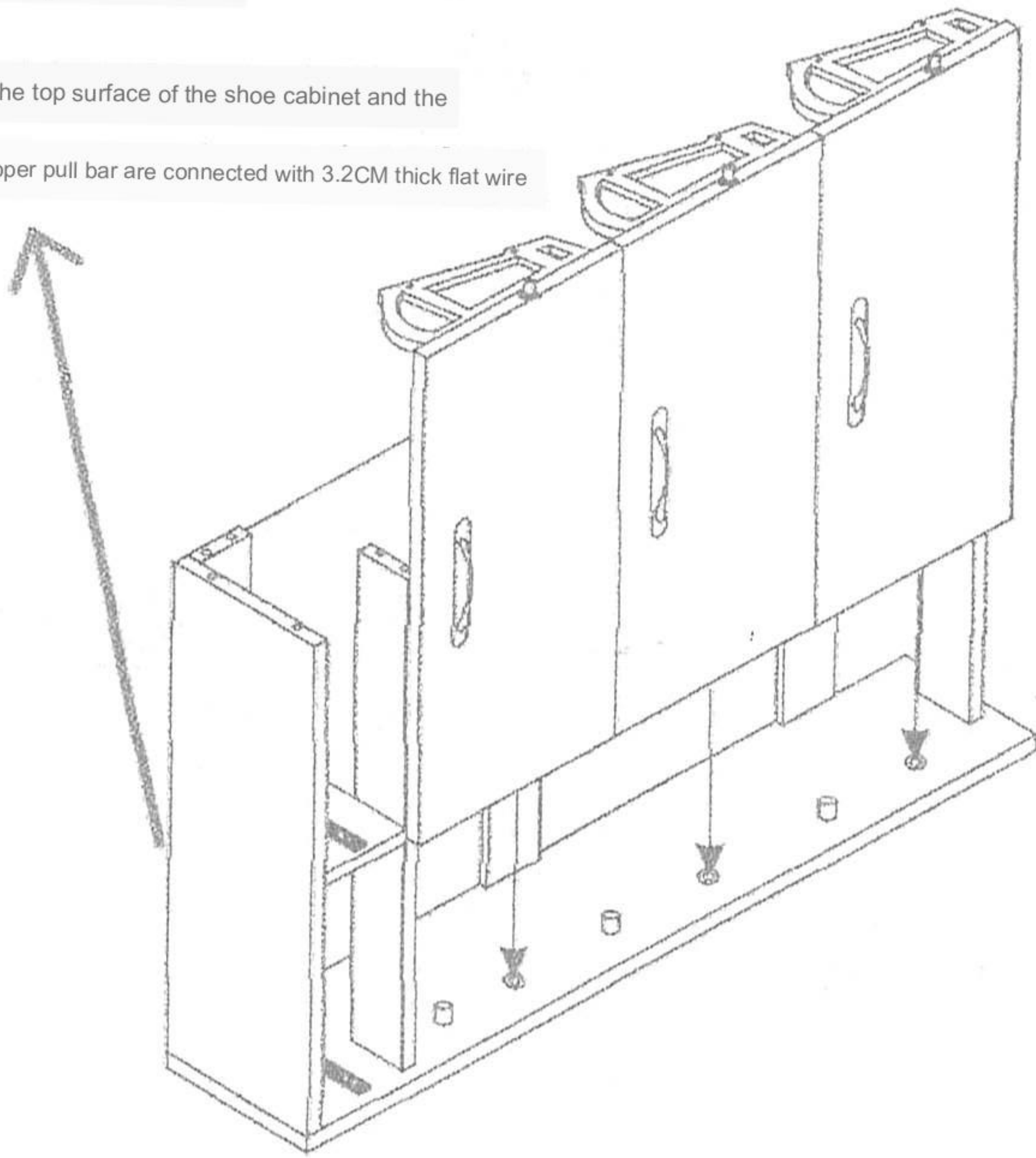


step six

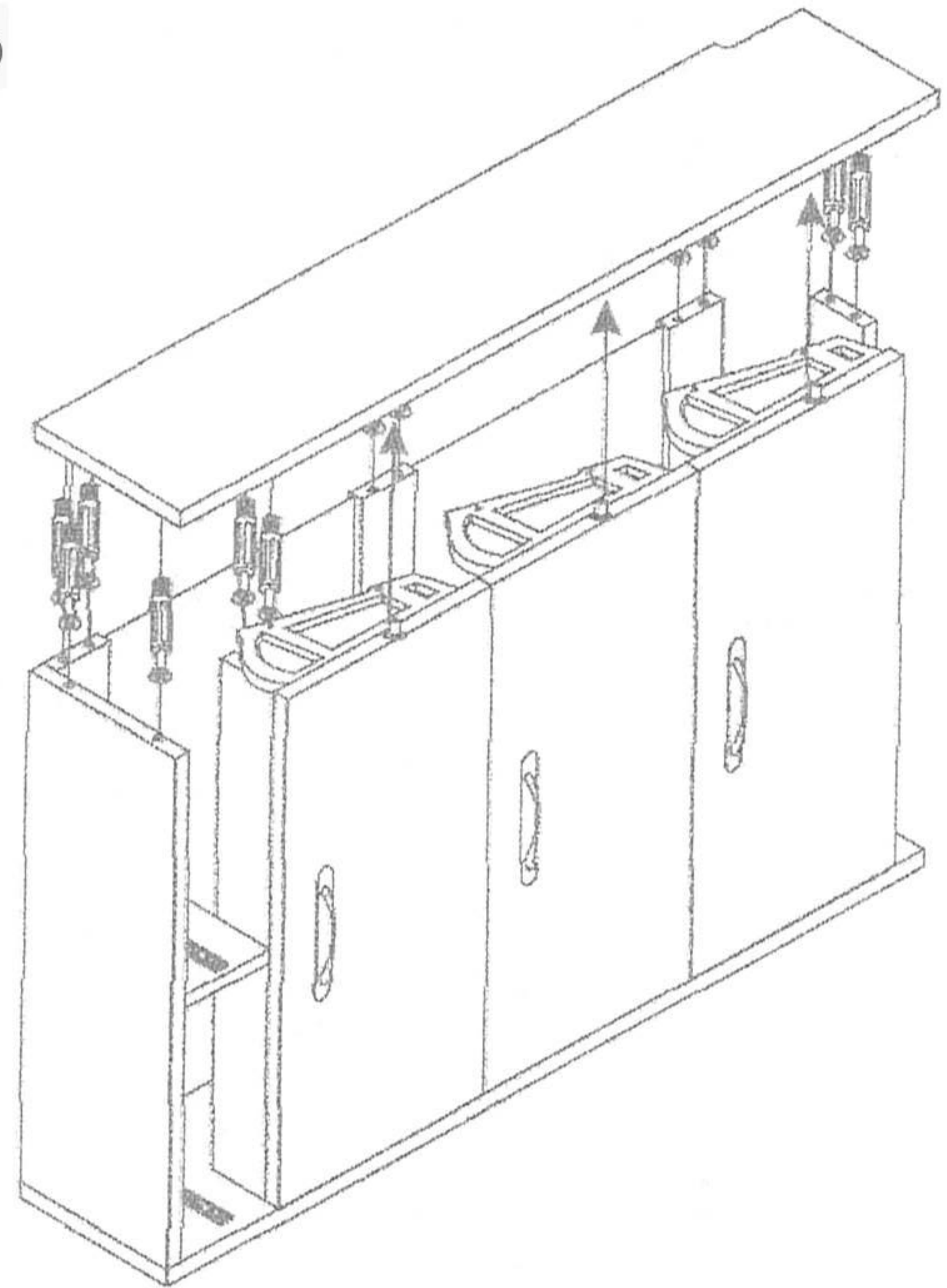


step seven

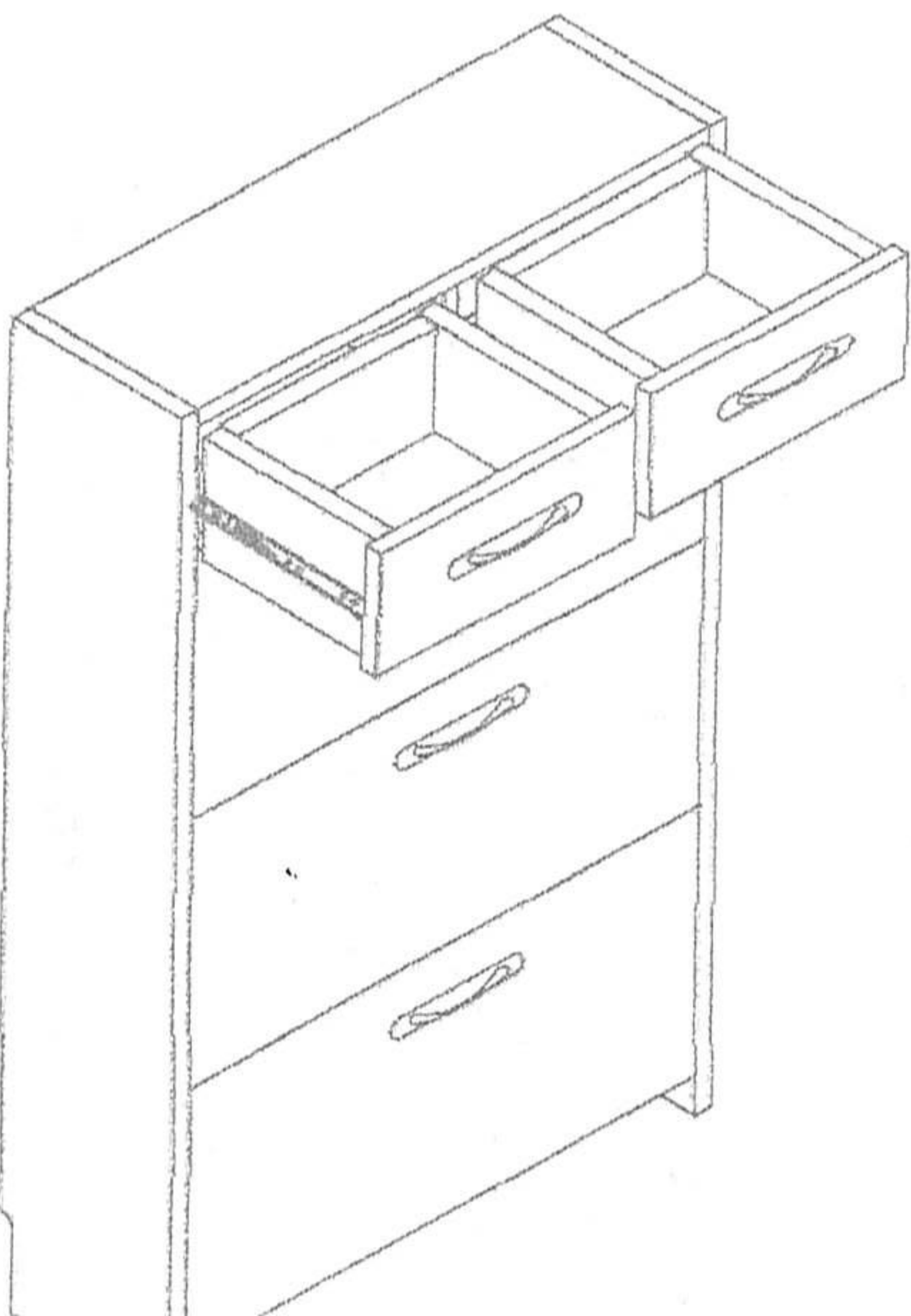
The top surface of the shoe cabinet and the upper pull bar are connected with 3.2CM thick flat wire



eighth step



Ninth step



tenth step

