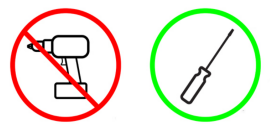




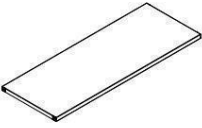
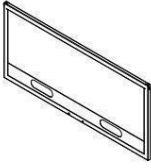
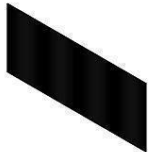
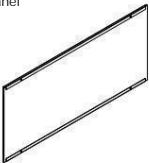






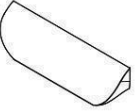





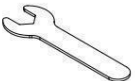
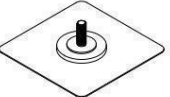

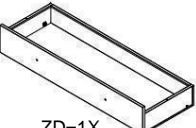





TS002-1D/2D with drawer Installation Instruction

Please be sure to use a manual screwdriver
and refrain from using an electric drill.

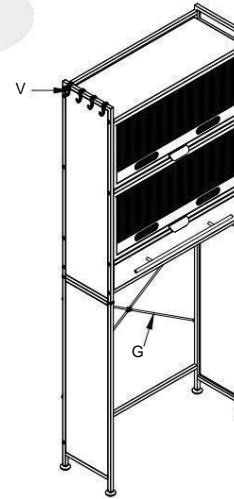


1. Parts list

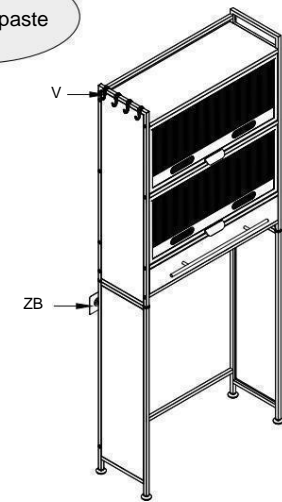
Lower right side frame  A1=1X	Lower left side frame  A2=1X	Upper right side frame  B1=1X	Upper left side frame  B2=1X
Laminate  C=3X	Door Panel  D=2X	PET board  E=2X	
Large panel  F=2X	Crossbar  G=2X	Connecting pipe  H=4X	
 J=20X	 K=1X	 L=7X	Foot  M=4X
Door handle  N=2X	 U=4X	Storage cabinet hook  V=4X	Buckle  W=20X
 Y=1X	 Z=4X	wrench  ZA=1X	Traceless sticker  ZB=2X
Small panel  ZC=1X	drawer  ZD=1X	Drawer handles  ZE=1X	 ZF=2X
			 ZG=4X

2. Product demonstration

Crossbar



Traceless paste



3. Installation steps

1. Screw M into the bottom of A1 and A2, and then knock ZG into the top of A1 and A2 as shown in Figure 1.

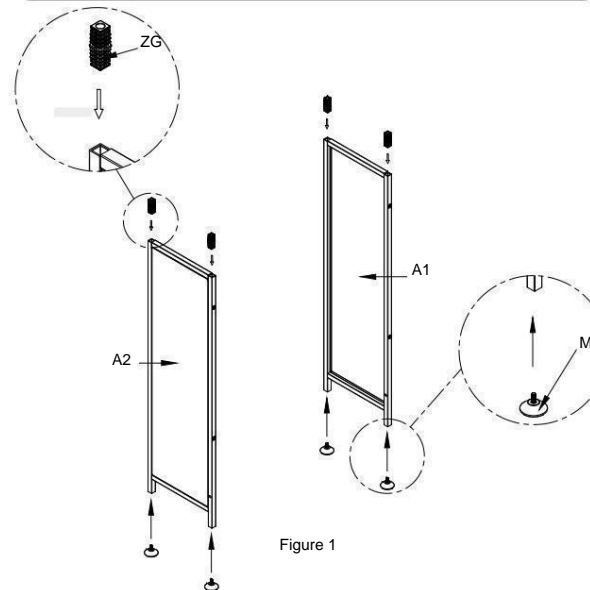


Figure 1

2.1. Use J to fix the connecting pipe (H) to the left and right lower side frames, and then use L and Y to install the two crossbars(G) as shown in Figure 2.

For **Crossbar** version, please install according to this diagram

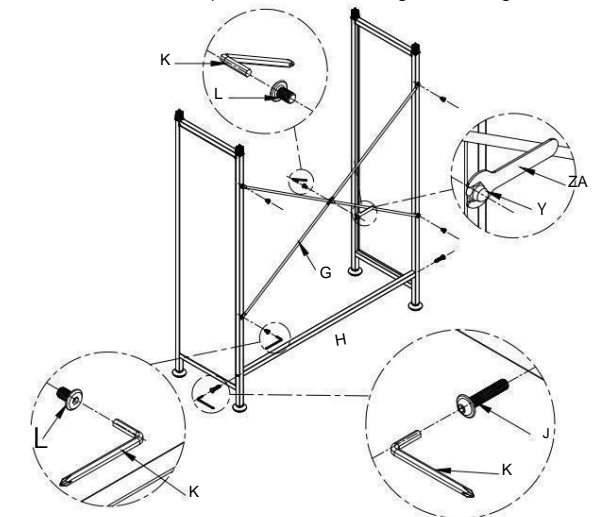


Figure 2

2.2. Use J to fix the connecting pipe to A1 and A2, and then install the traceless sticker (ZB) as shown in Figure 2.

For **Traceless** version, please install according to this diagram

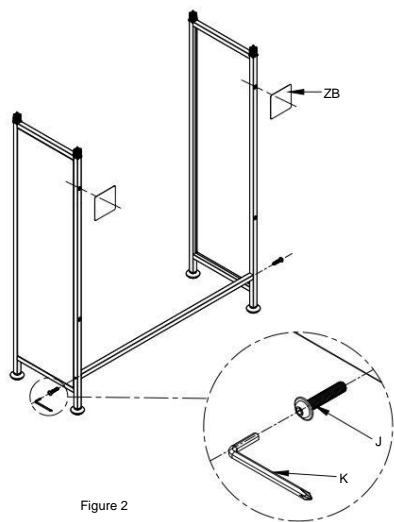


Figure 2

3. Tear off the 3M adhesive film, stick Z to the centre of B1 and B2 respectively. Insert B1 and B2 into A1 and A2 respectively as shown in Figure 3. Use J to fix the H to B1 and B2, and then install ZC into the guide groove. Use ZF to install the drawer with the hand, and then insert it into the guide rail and use L to insert the U grooves on both sides as shown in Figure 4

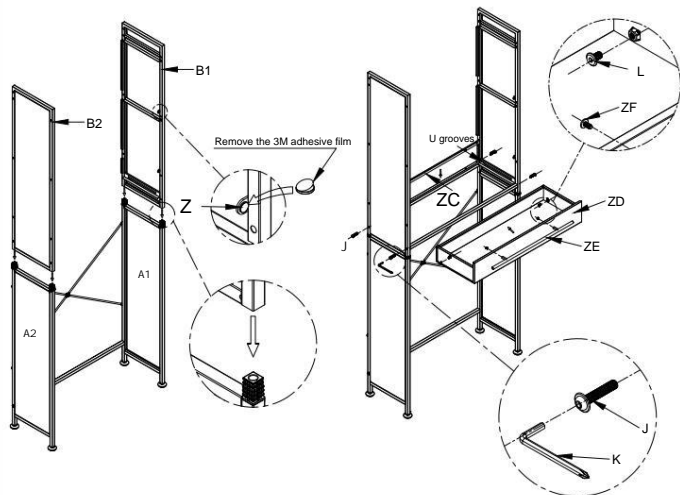


Figure 3

Figure 4

4. Use J to fix the C to B1 and B2, then install F into the groove, as shown in Figure 5. Install C, F, and H in sequence, as shown in Figure 6.

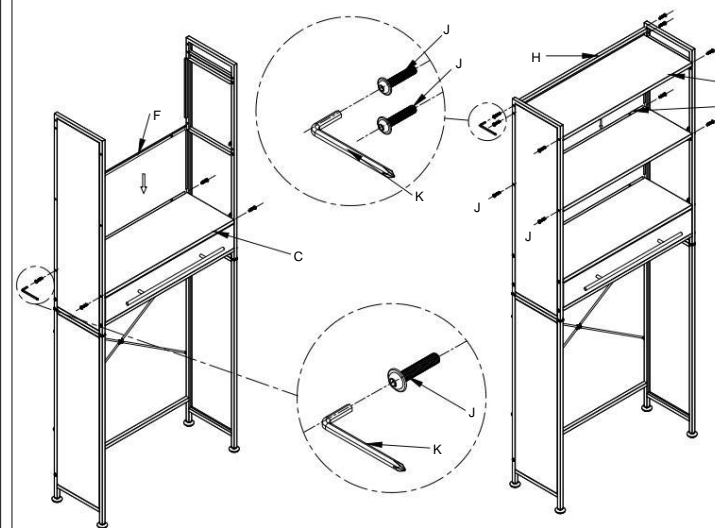


Figure 5

Figure 6

5. Tear off the films on both sides of E as shown in Figure 7, and then put the acrylic corrugated surface forward into D as shown in Figure 8.

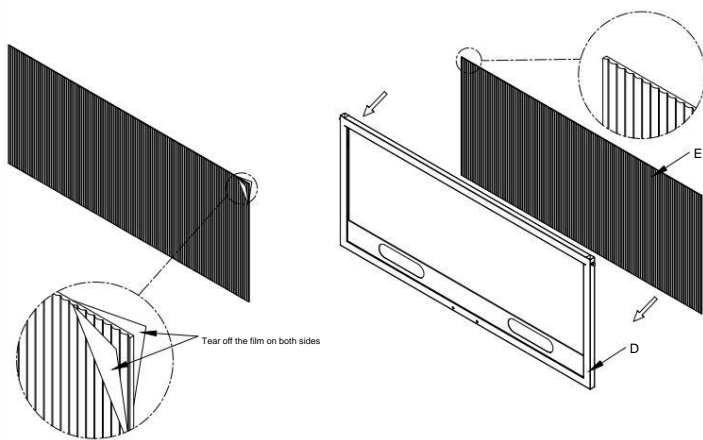


Figure 7

Figure 8

6. Turn the installed door panel over and press W into the holes as shown in Figure 9 to fix them. Then use U to fix the N to the door panel from the back as shown in Figure 10.

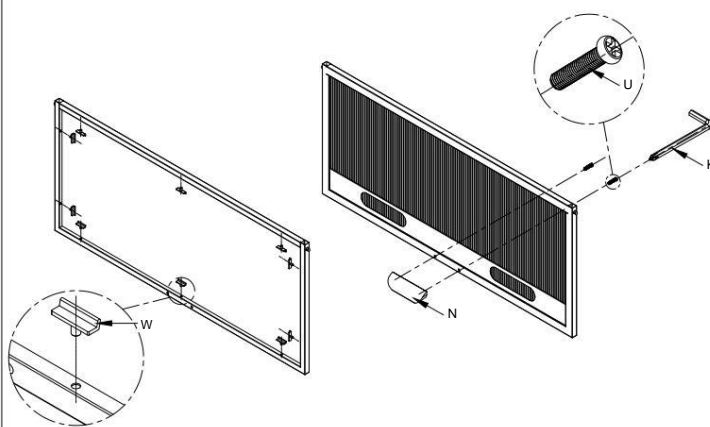


Figure 9

Figure 10

7. Press the snaps on both sides to insert the door panel into the grooves on B1 and B2 as shown in Figure 11. Figure 12 shows the folding door version.

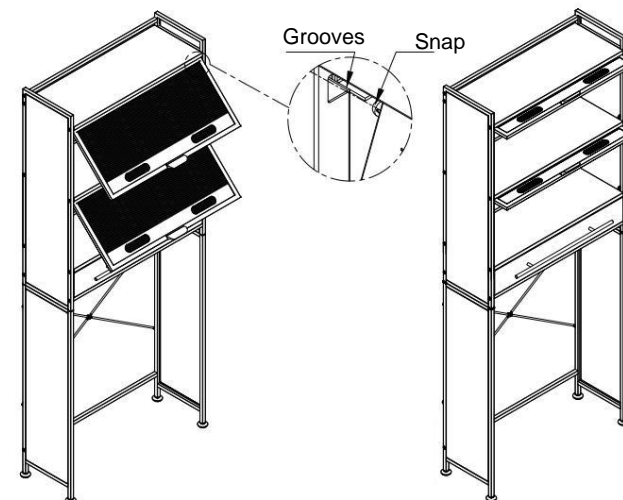


Figure 11

Figure 12