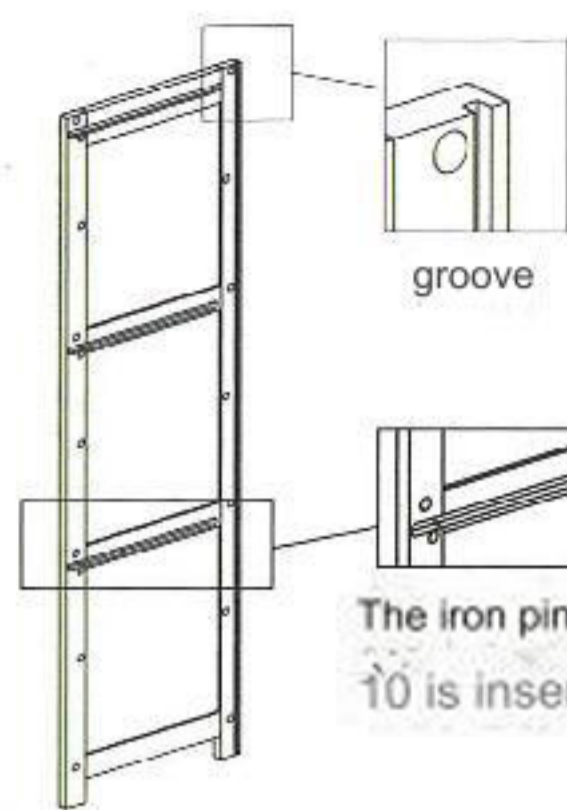


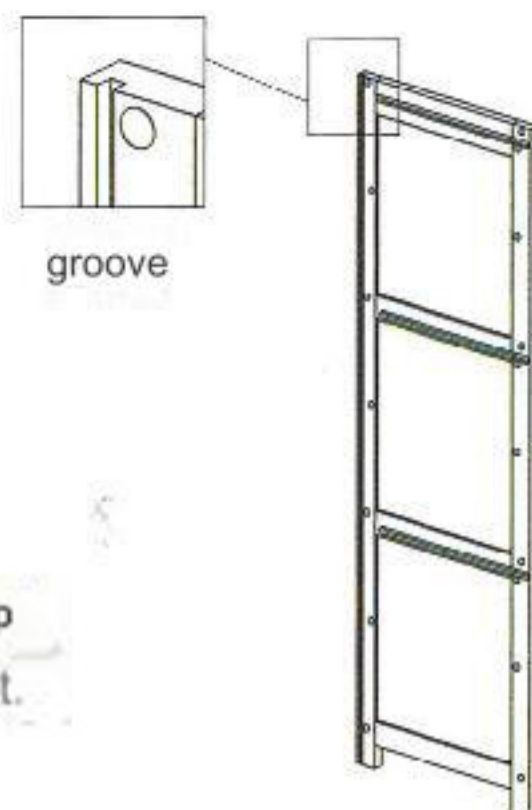
After opening the package, first sort the accessories according to the accessories list, and then start installation after sorting.

SOCE027 Installation Instruction

Please be sure to use a manual screwdriver and refrain from using an electric drill.



① 1 left bracket

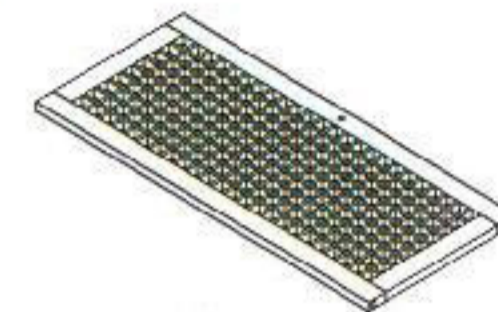


② 1 right bracket

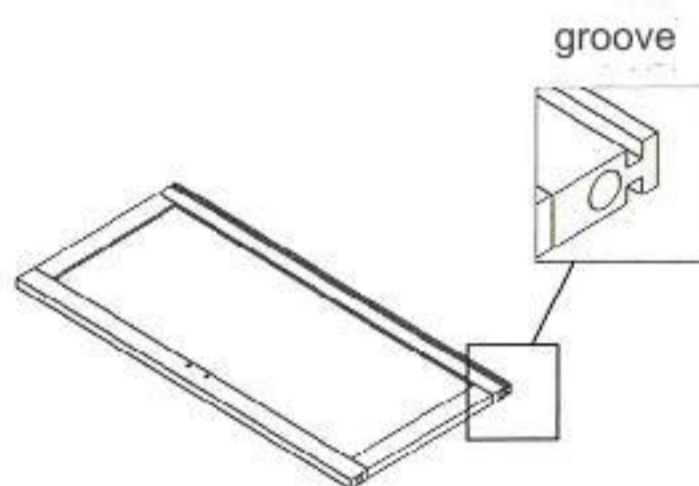
The iron pin on the door in step 10 is inserted into this slot.



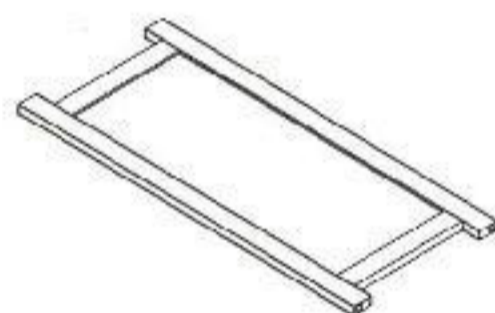
③ 2 vertical bars



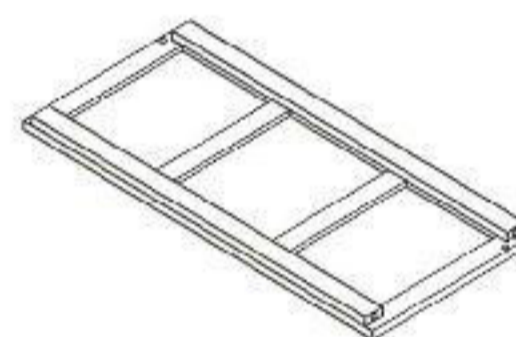
4 doors for 3 yuan



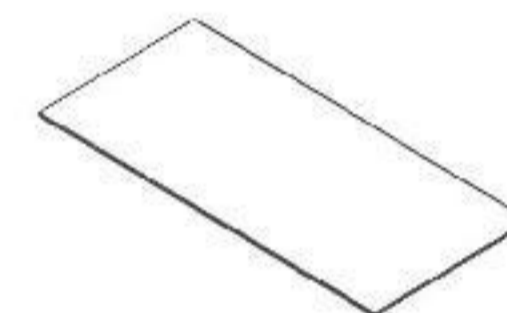
⑤ 3 large shelves



⑥ 3 small shelves



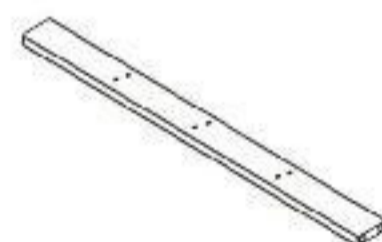
7 panels 1 piece



⑧ 3 pieces of back plates



⑨ 2 pieces of bars



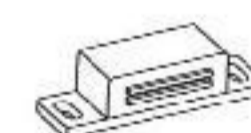
10 2 pieces of bars with holes



11 hooks



12 iron pieces 3 pieces



13 3 door stoppers



14 3 handles



15 iron pins 12



A hexagon socket screw

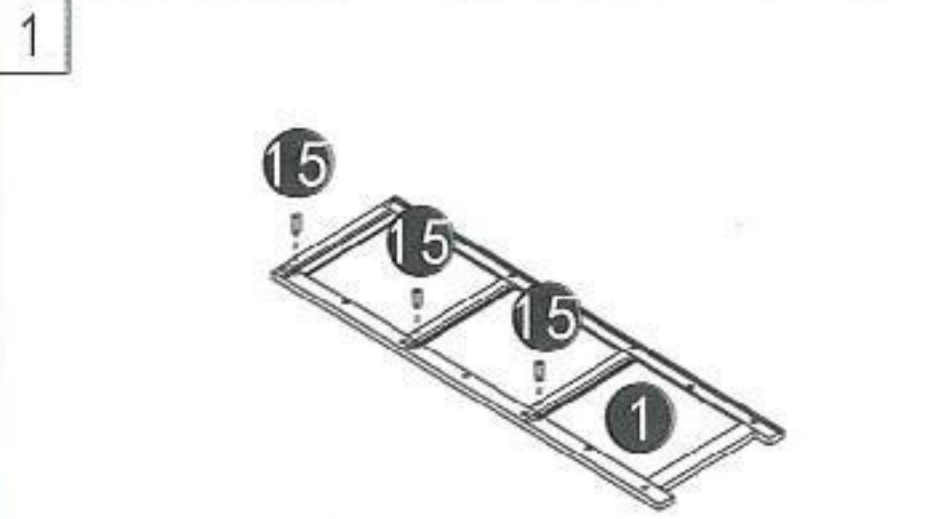


B cross screw

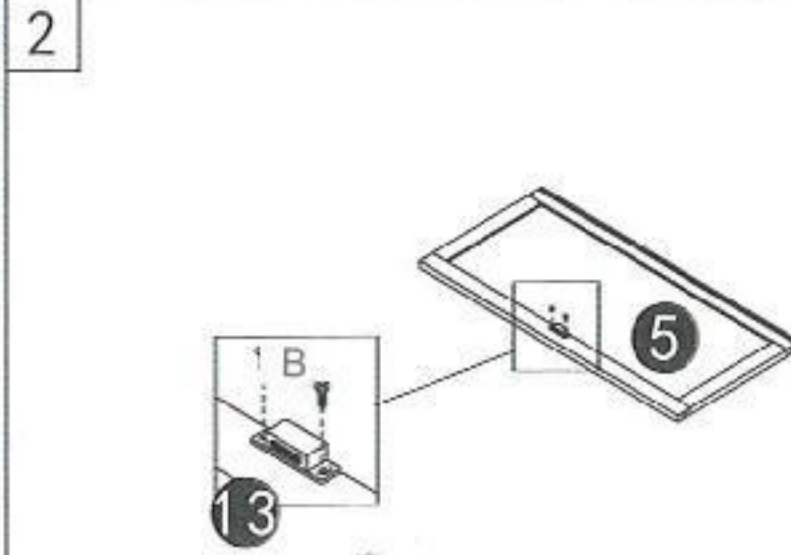


C flat head screw

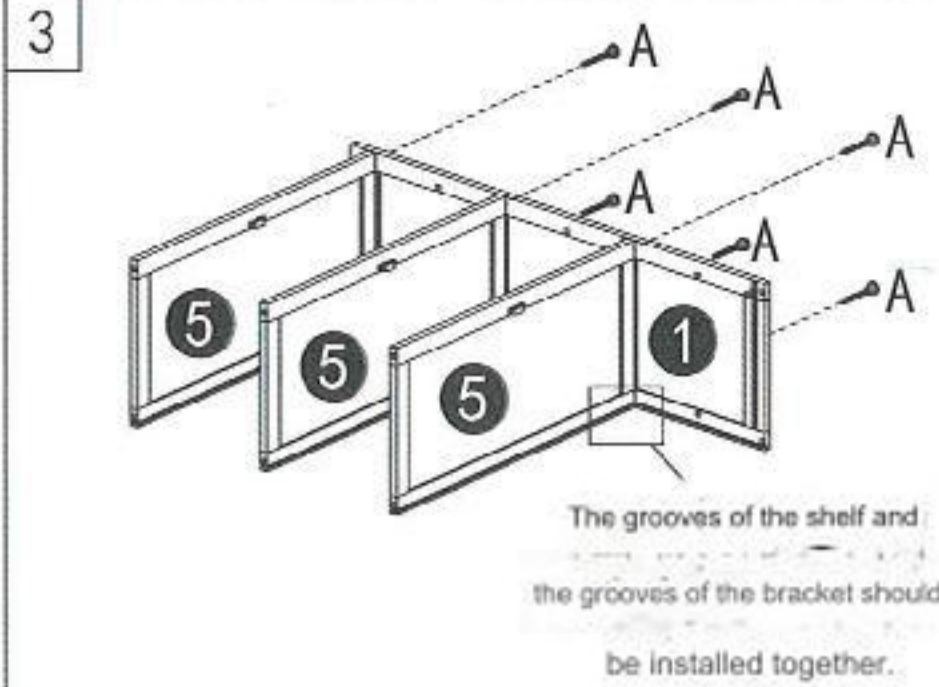
After opening the package, first sort the accessories according to the accessories list, and then start installation after sorting.



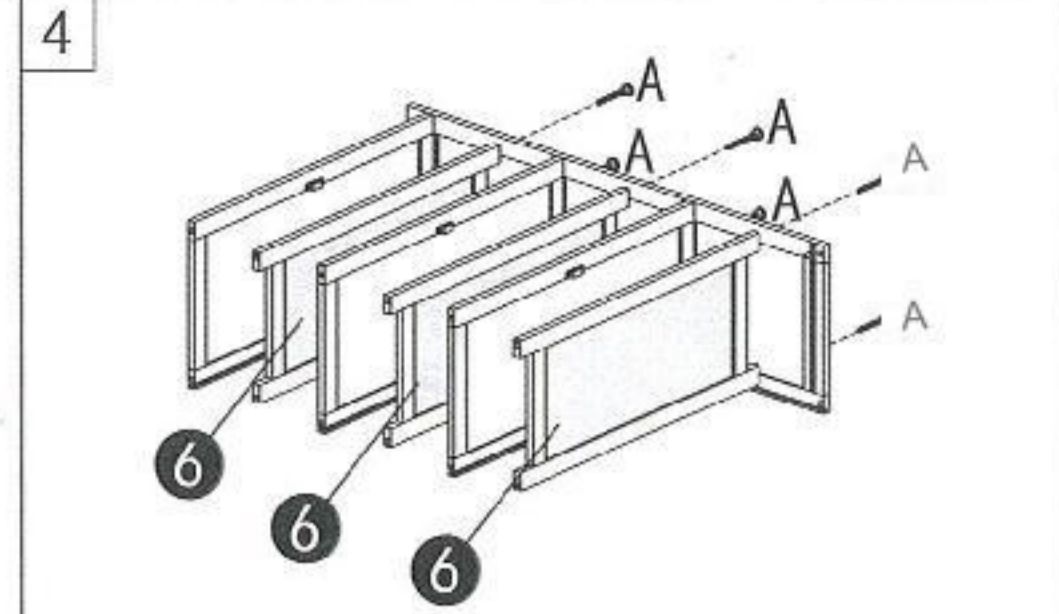
First take out 6 iron pins 15 and insert them into the two brackets



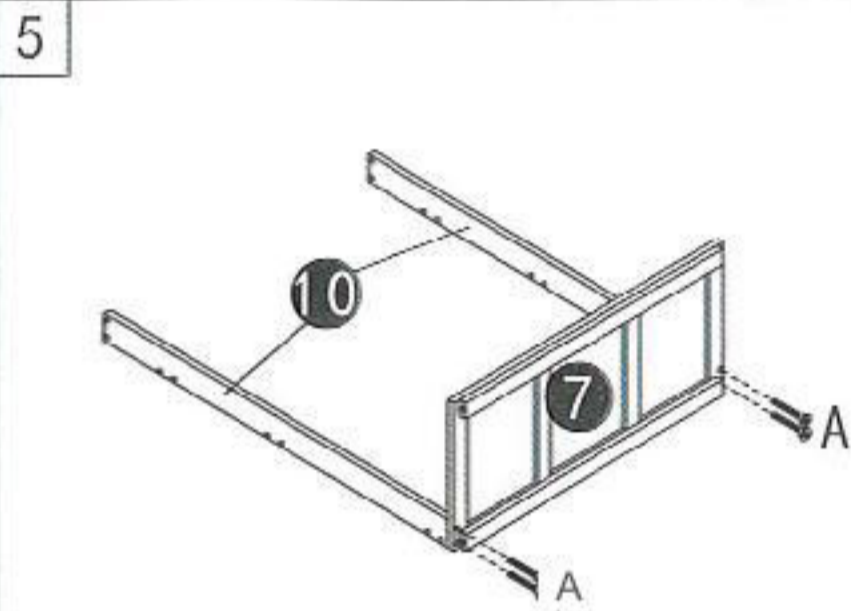
Use screws B to fix the door stopper 13 on the large shelf 5



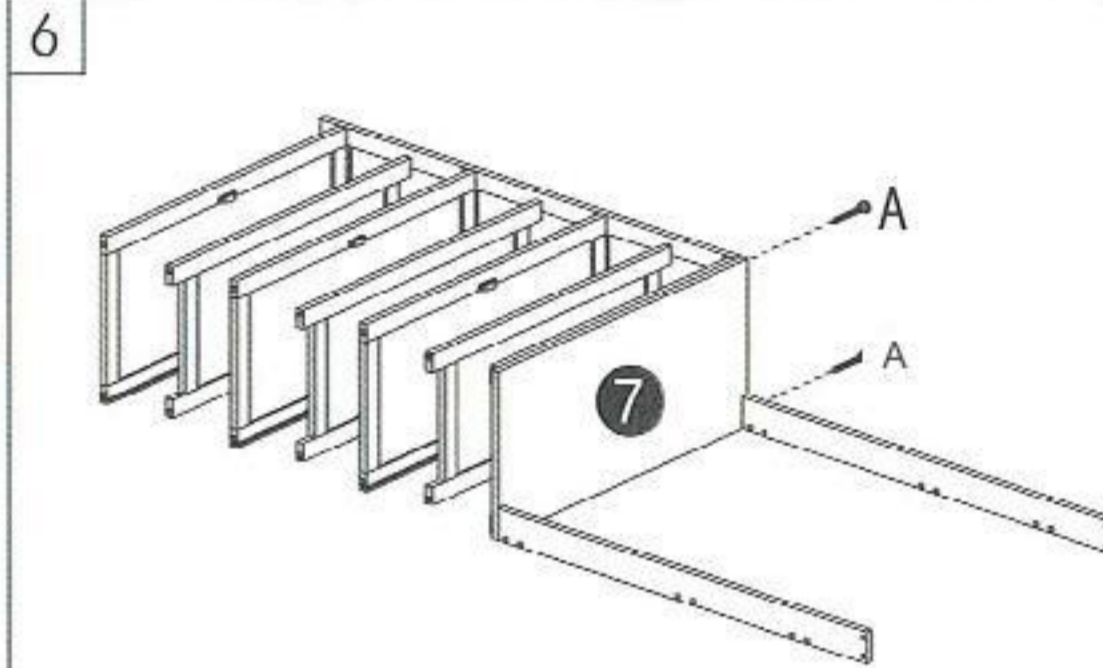
Use screw A to install the large shelf on bracket 1



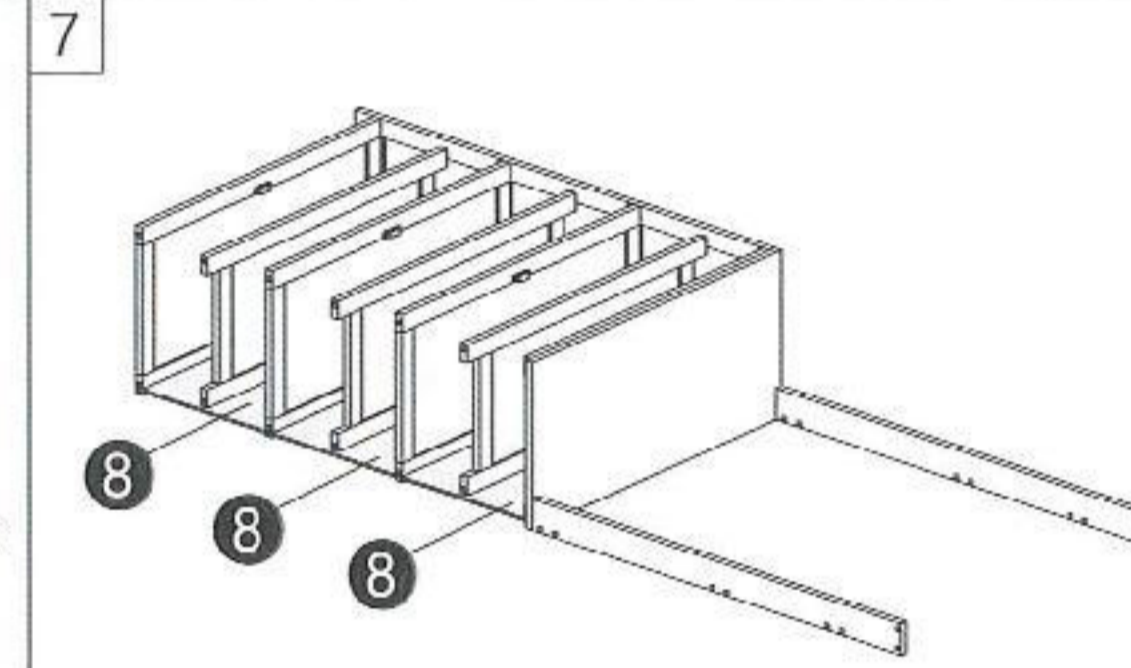
Use screw A to install the small shelf on the bracket 1



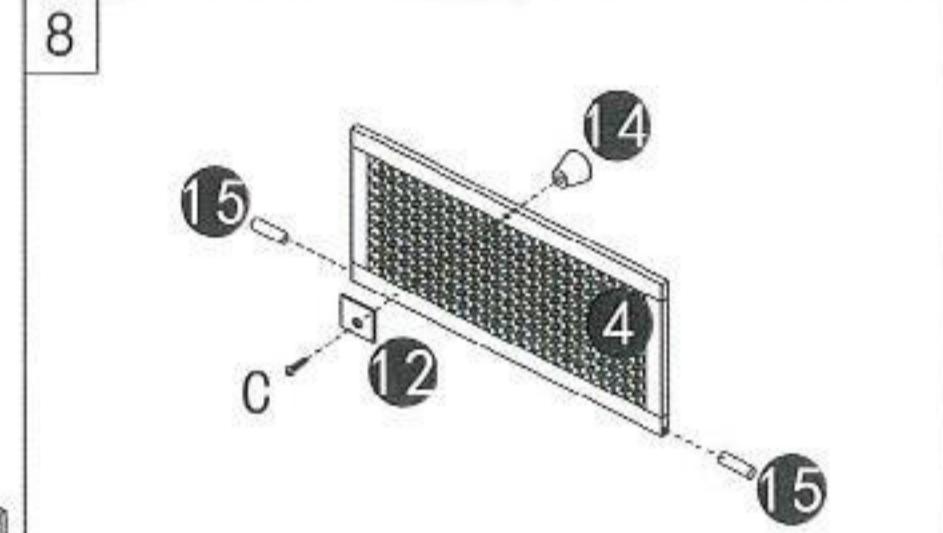
Use screws A to fix the two vertical bars 10 on the panel 7



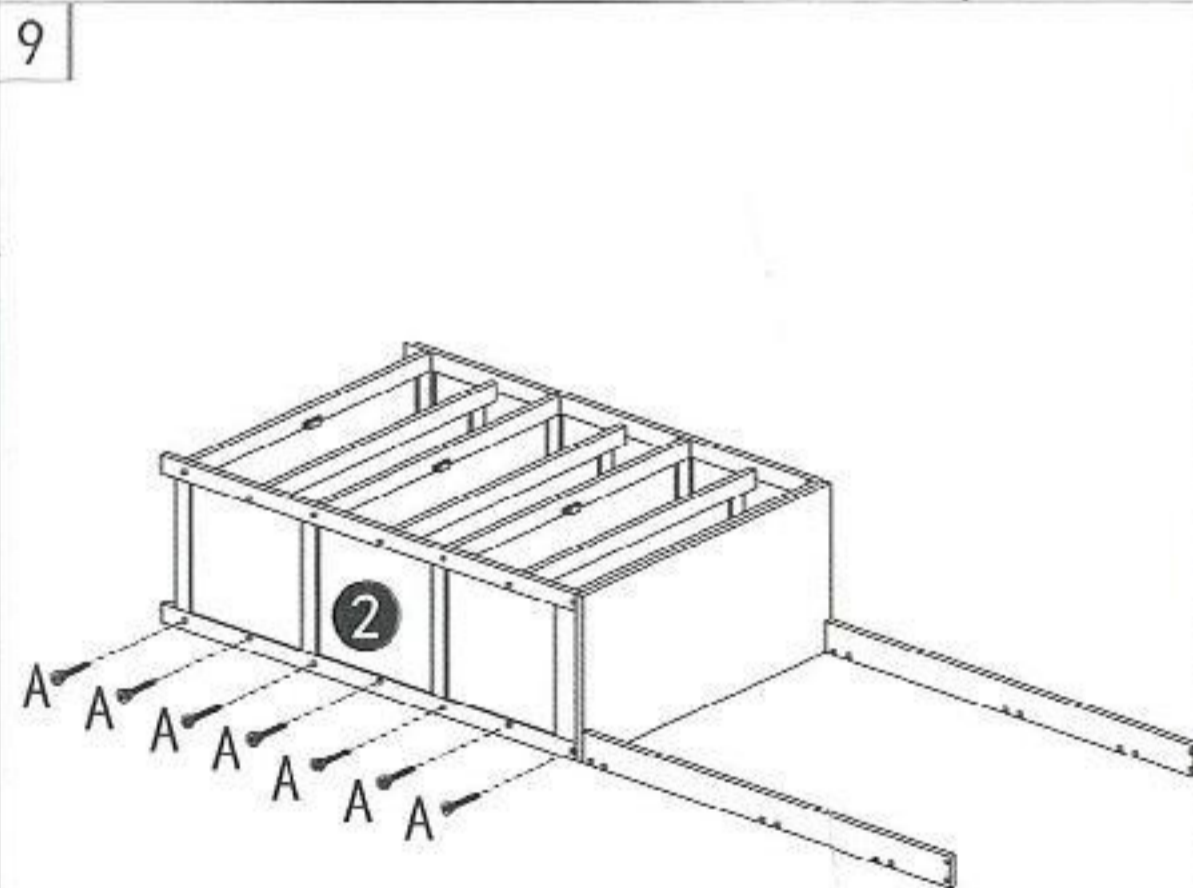
Use screw A to fix panel 7 to bracket 1



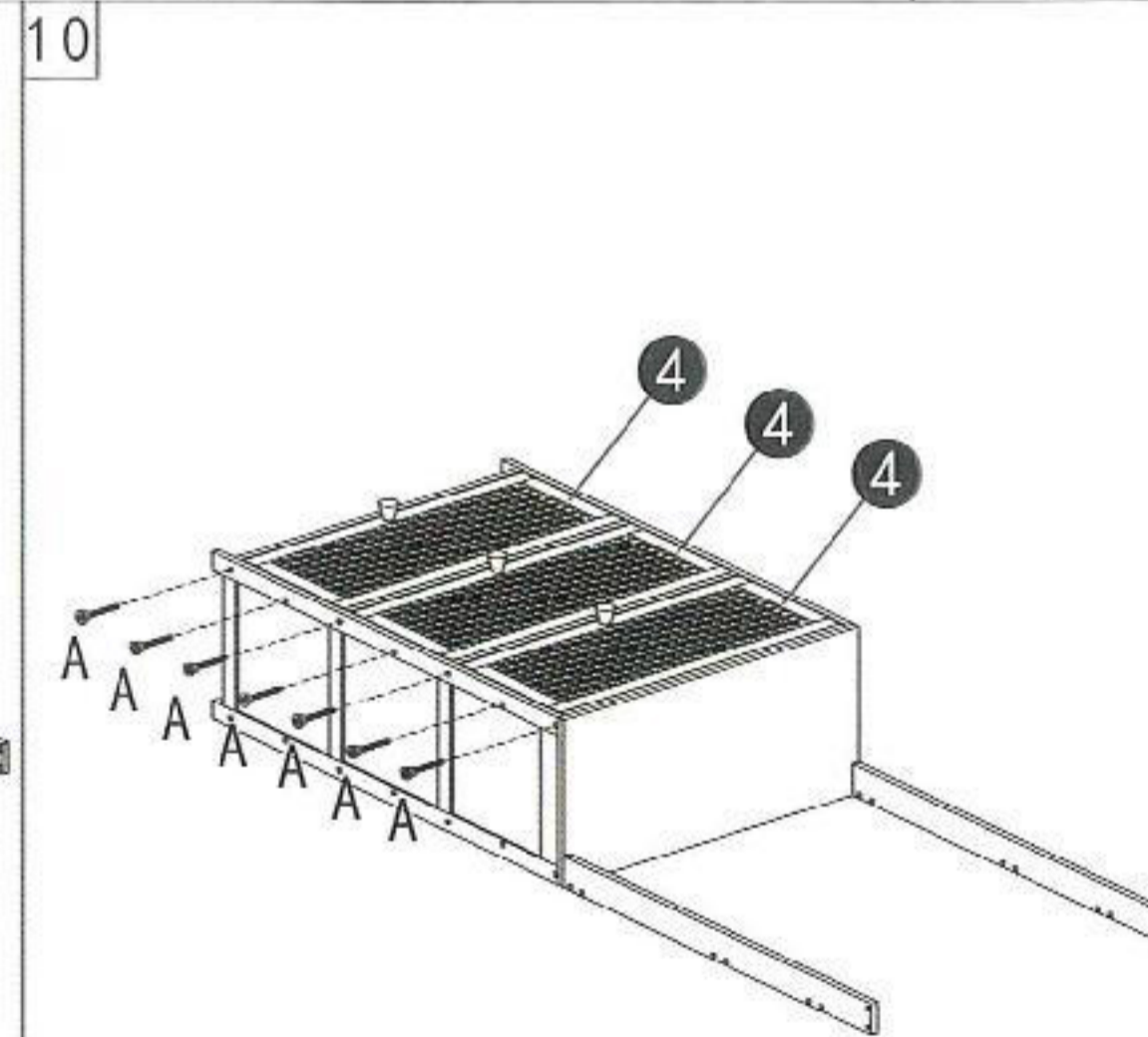
Insert the back plate 8 into the groove of the bracket and the large shelf



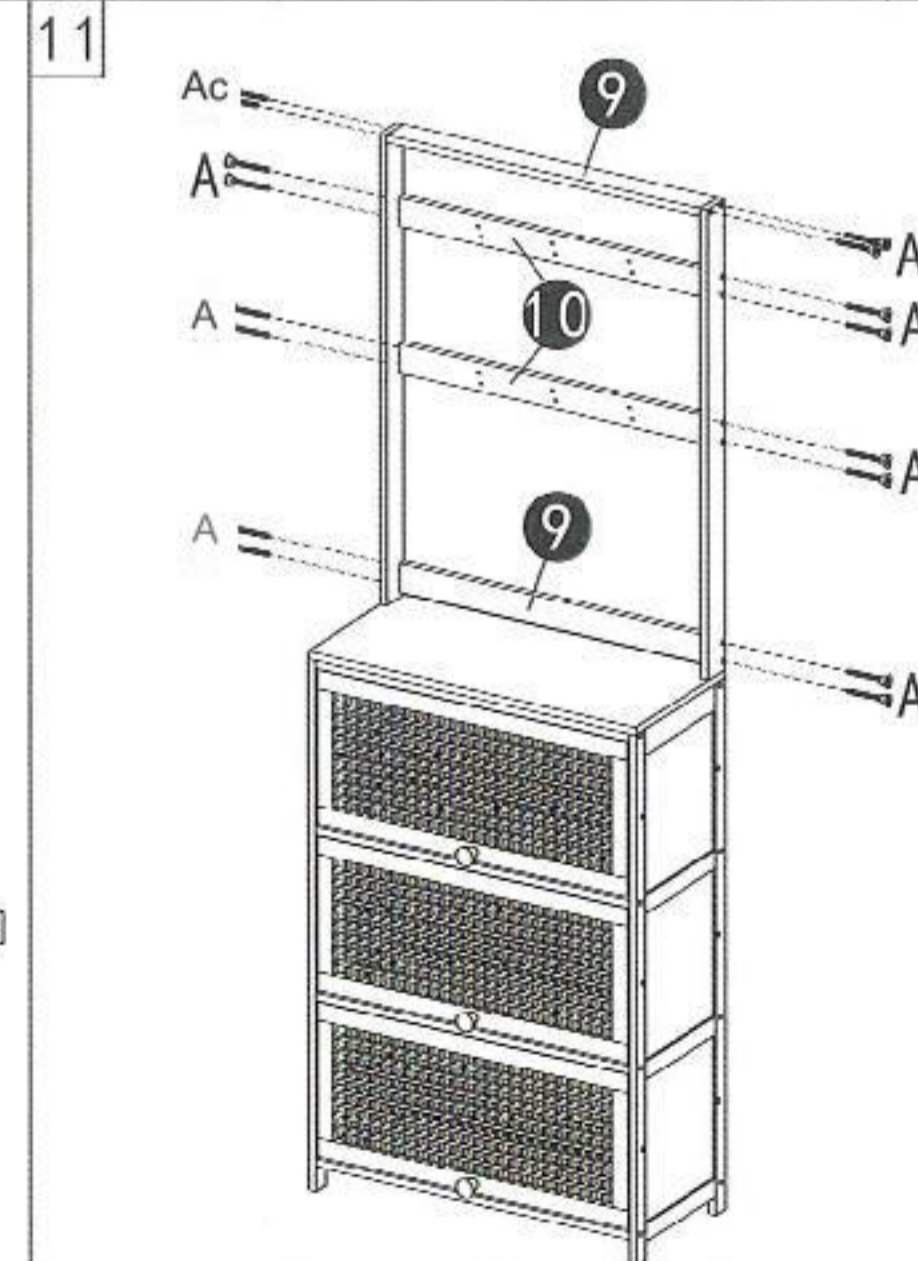
Pass the screw C through the iron piece 12 and fix it on the handle 14, and then insert the iron pins 15 at both ends of the door.



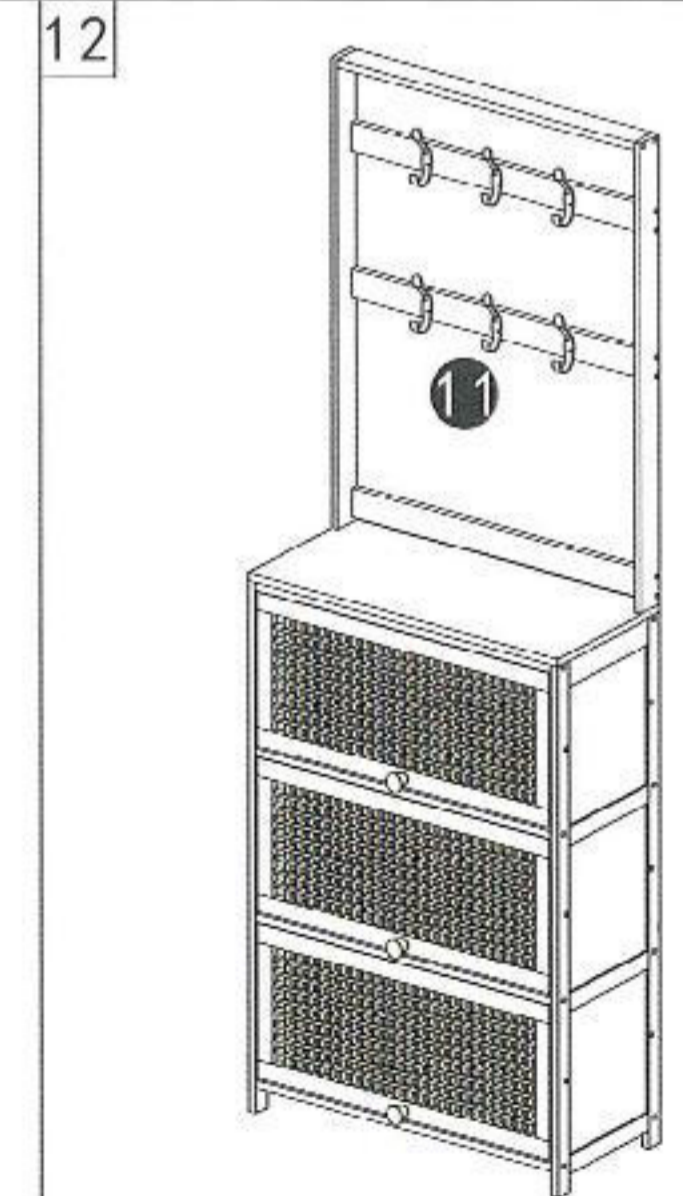
Use screw A to fix the right bracket 2 on the shelf. Tighten the rear row of screws first. Leave the front row unscrewed and the screws cannot be tightened. Tighten until the screws do not fall out.



Insert the iron pins of the door into the slots of the two brackets. After the doors are inserted, fix the front row of screws.



Fix 4 blocks with screw A



Fix hook 11 with screw B