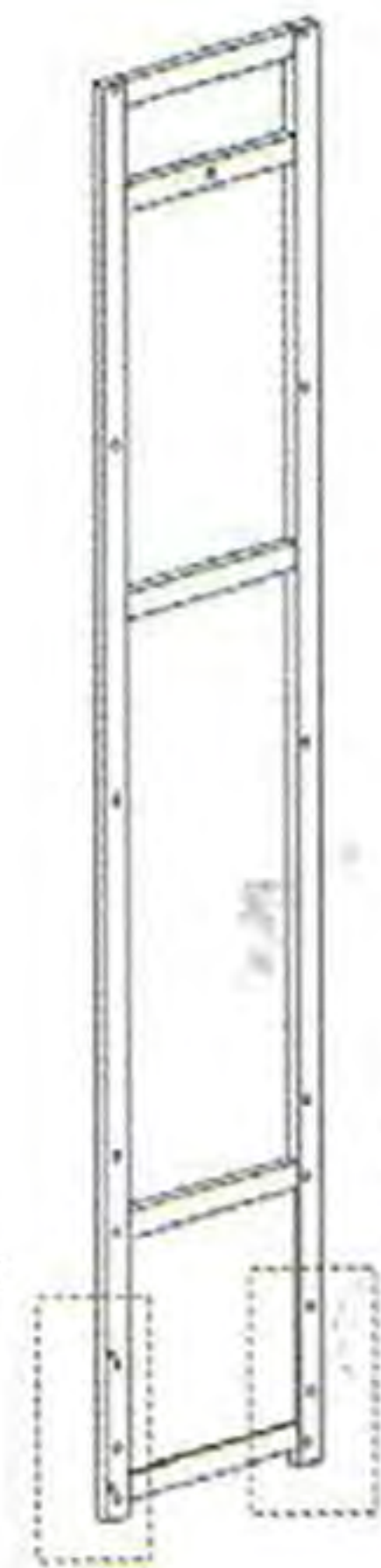


After opening the package, first sort the accessories according to the accessories list, and then start installation after sorting.



1 2 pieces of brackets

On this side with more holes, it is the front of the rack

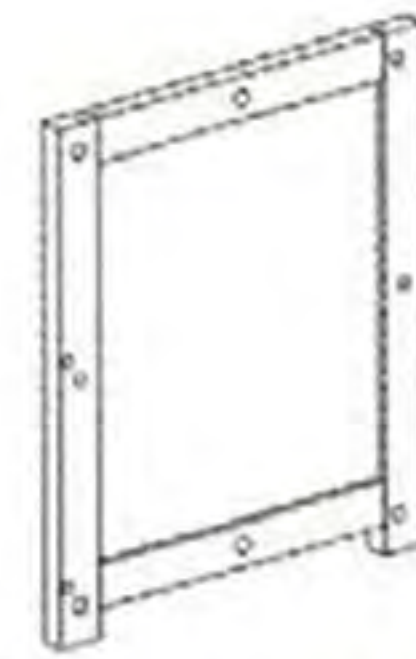
on the other side with fewer holes, it is the rear of the rack



2 1 long strip



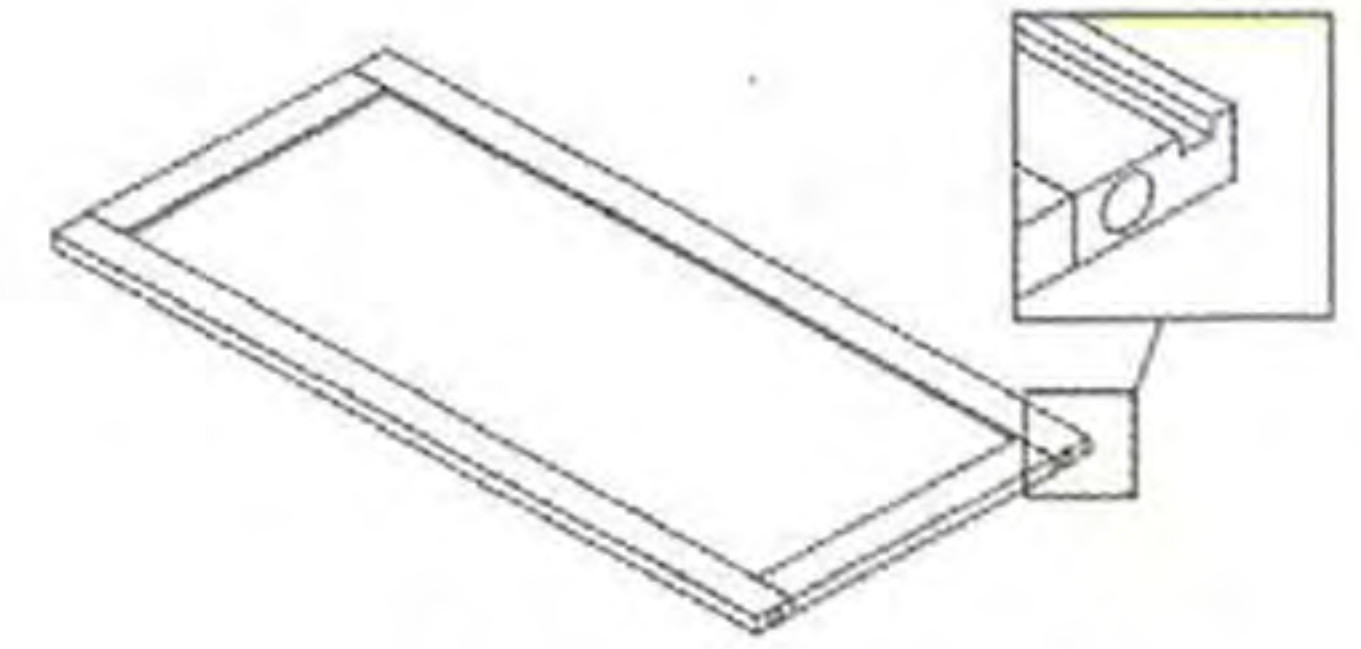
Scan on WeChat to watch the installation video



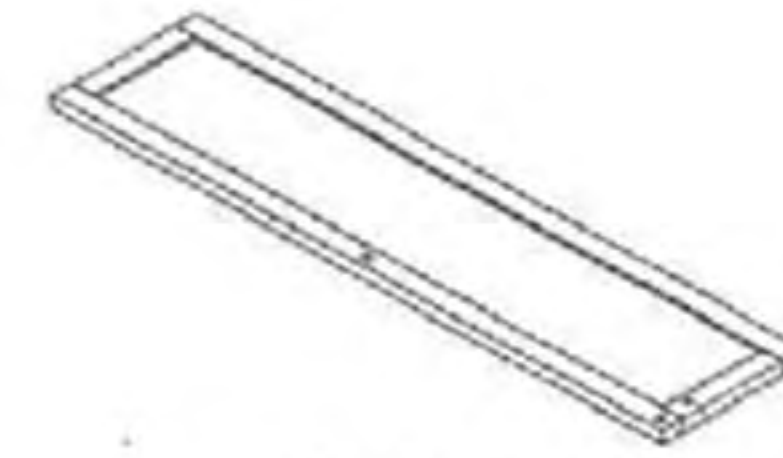
3 Short bracket 1 piece



4 1 double-slot laminate



5 2 single-slot laminates



6 2 doors



7 2 pieces of back plates



8 1 round rod



9 5 short-layer boards



10 4 hooks



11 2 door stoppers



12 2 iron pieces



13 2 handles



14 4 iron pins



A hexagon socket screw



B flat head screw



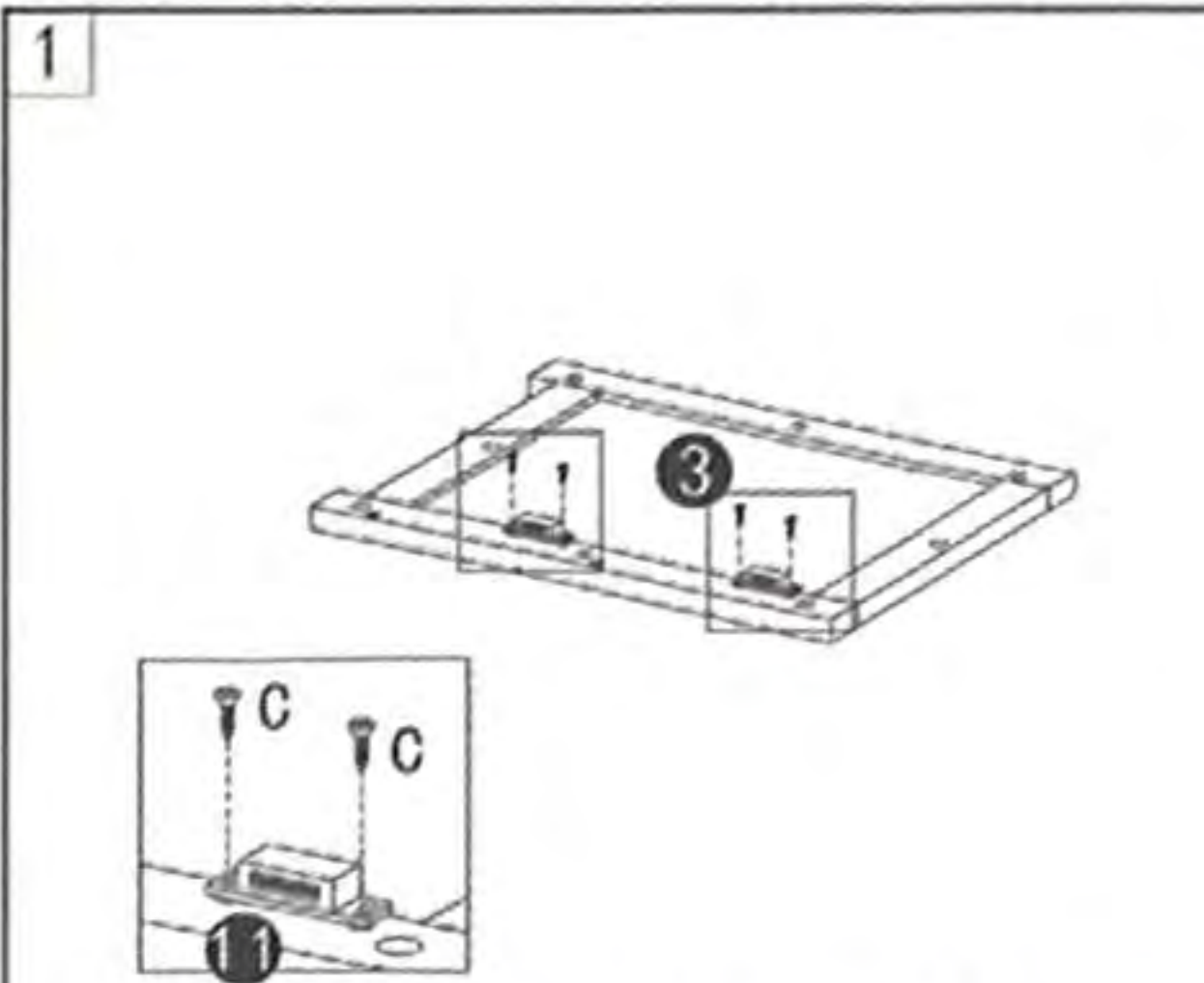
C short cross screws come in two colors, yellow short and white long



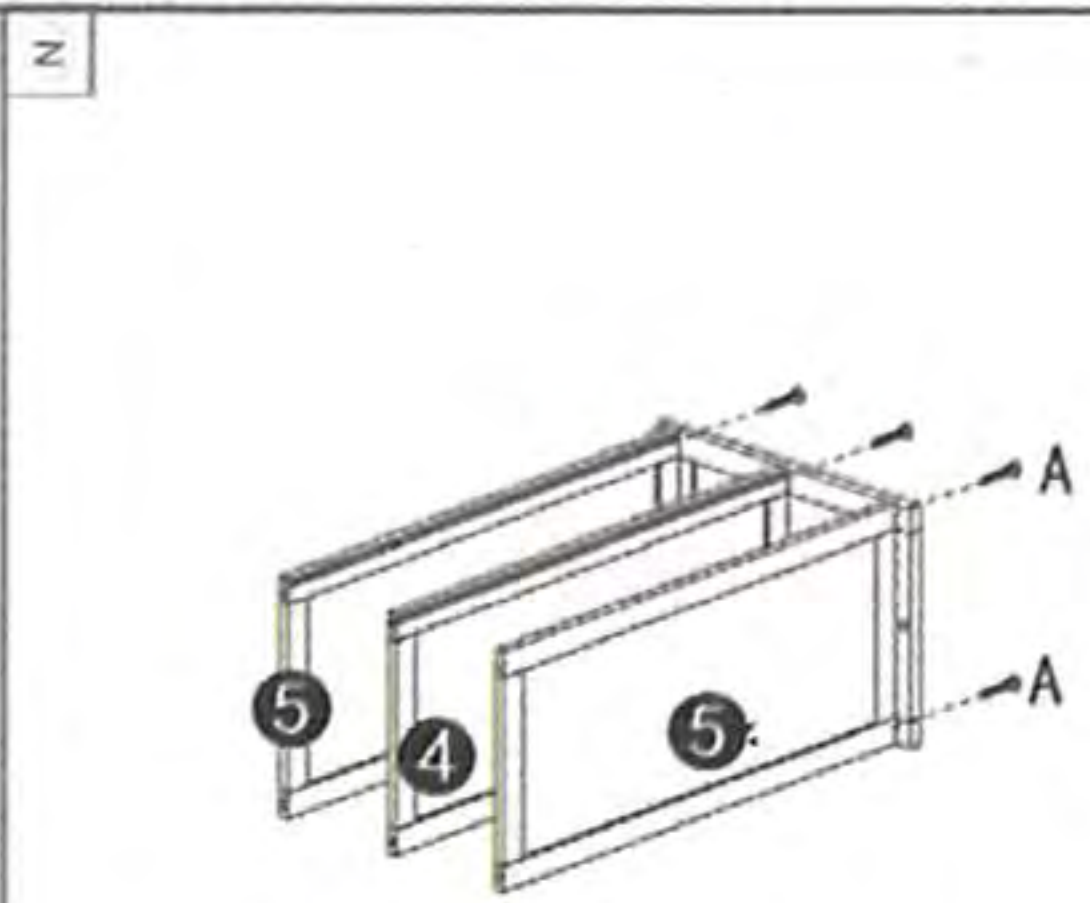
D hexagon socket flat head screws



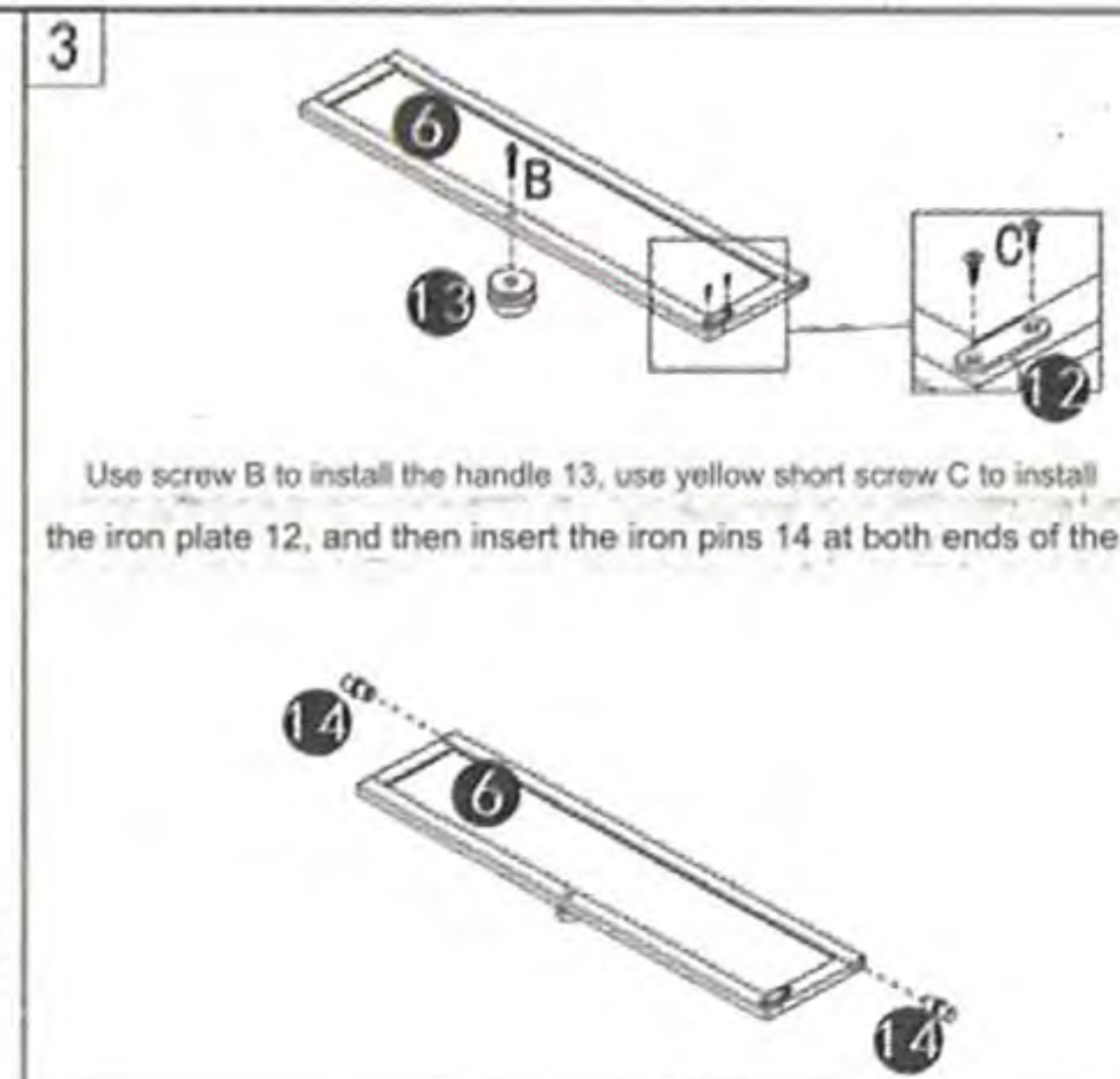
E nut



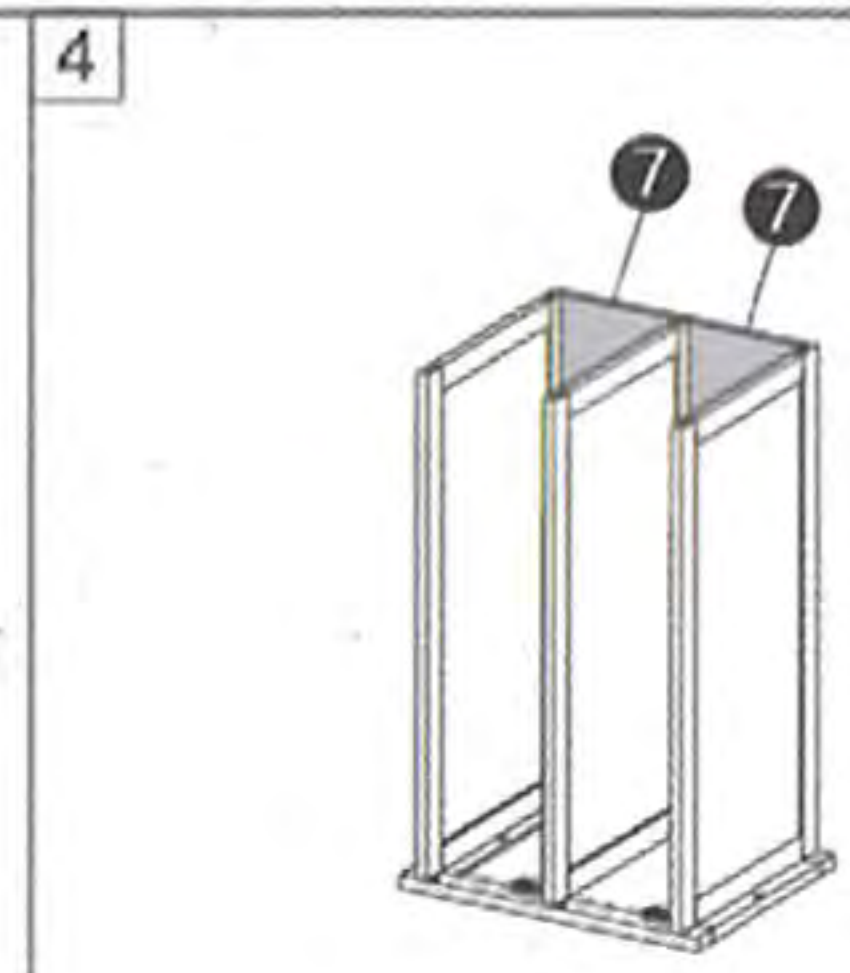
Use long white screws C to install the door latch 11 on the short bracket 3



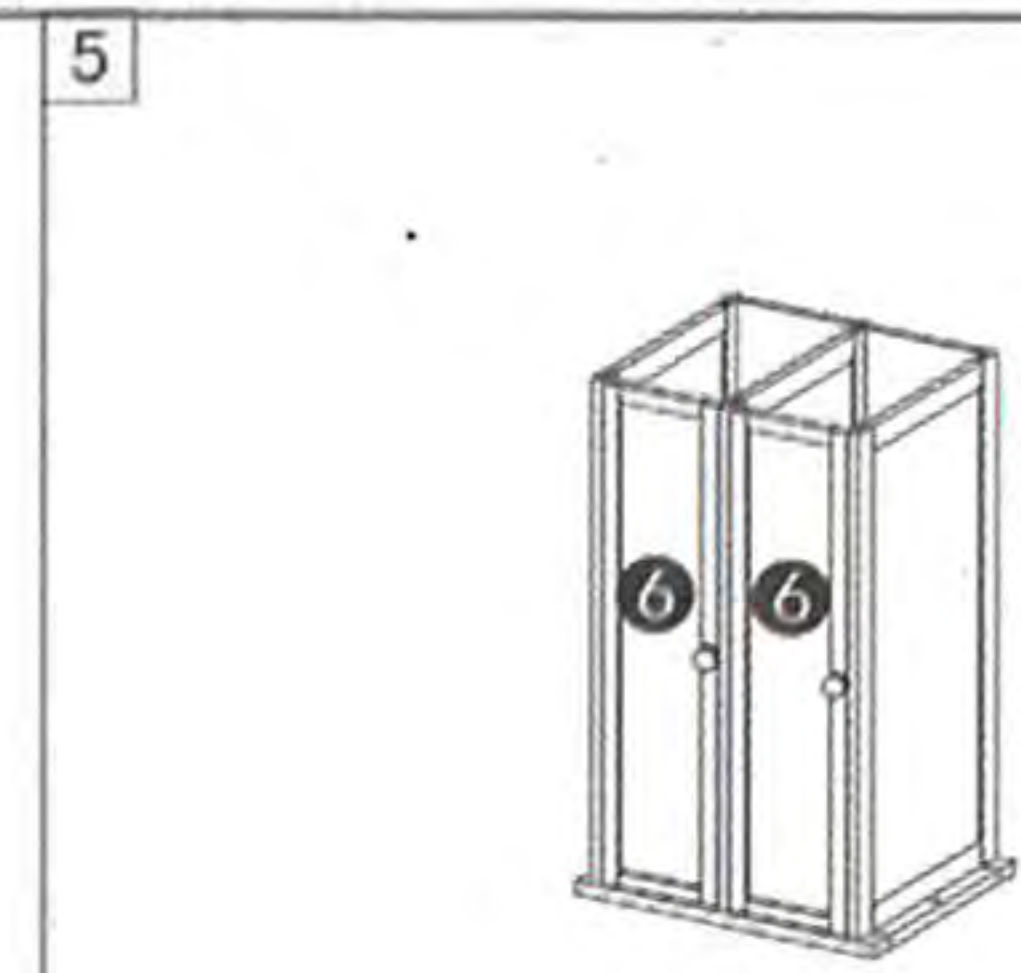
Use screws A to install both shelf 4 and shelf 5 on the short bracket 3



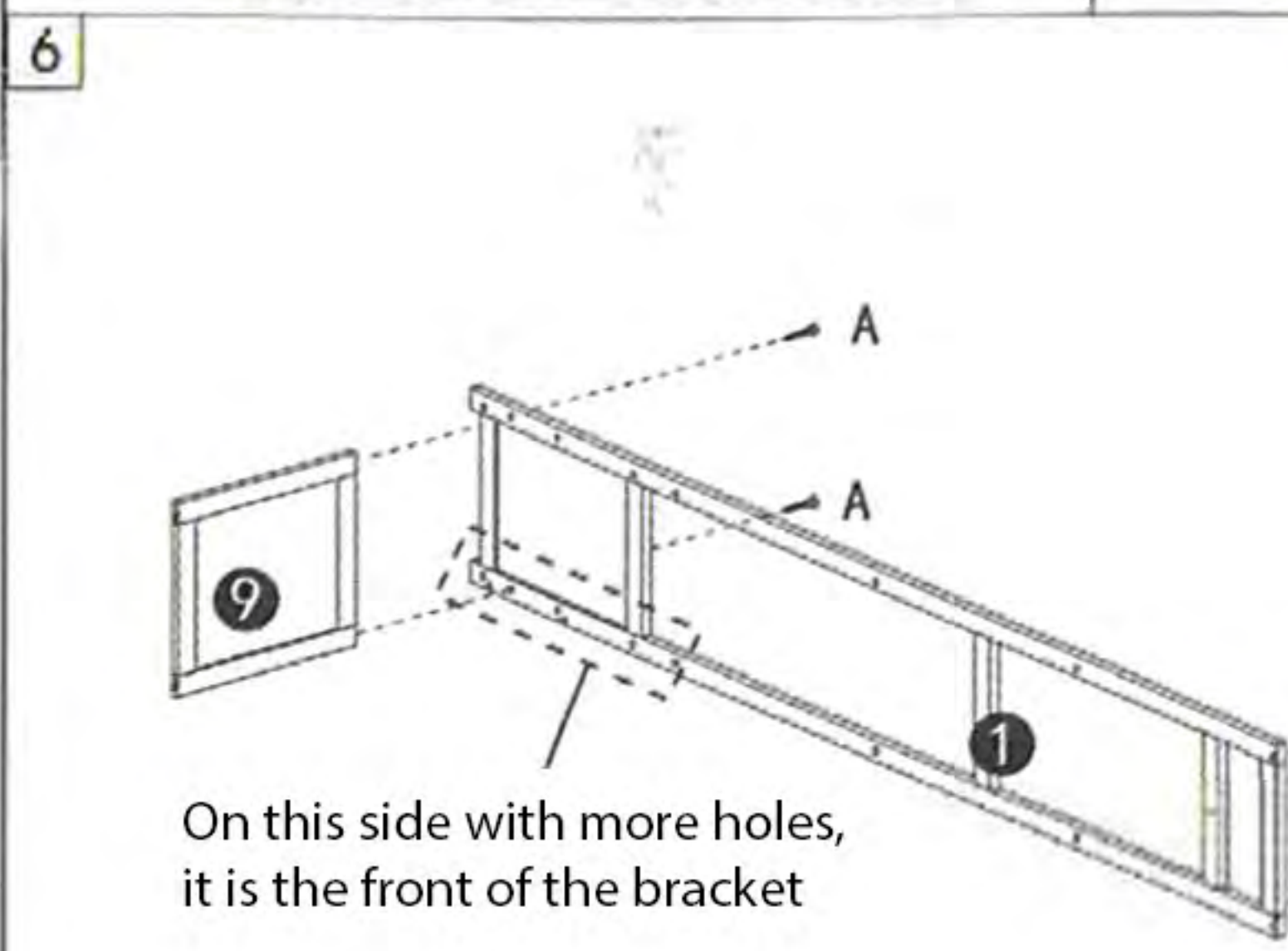
Use screw B to install the handle 13, use yellow short screw C to install the iron plate 12, and then insert the iron pins 14 at both ends of the door.



Insert backplane 7

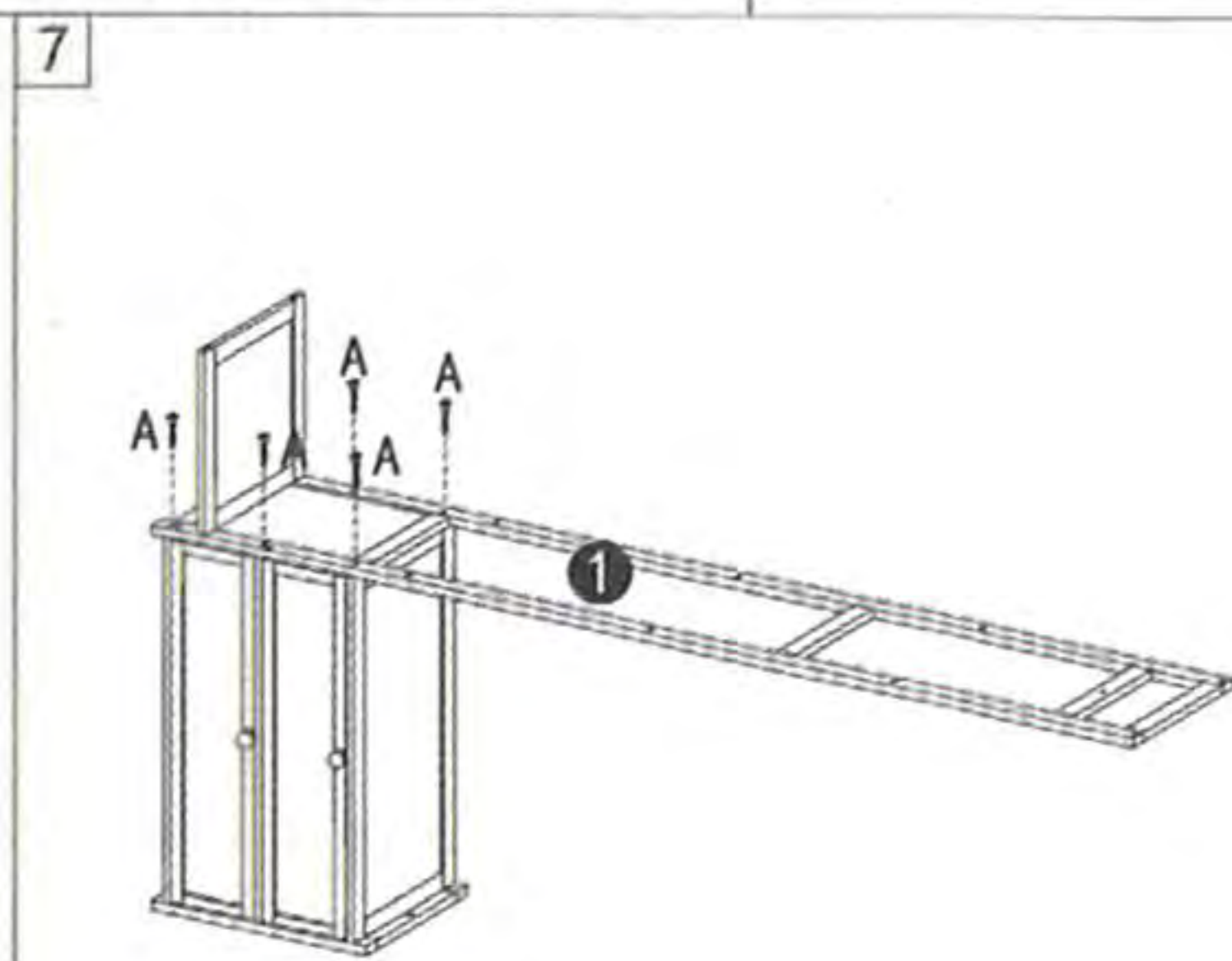


Insert the iron pin on door 6 into the short bracket

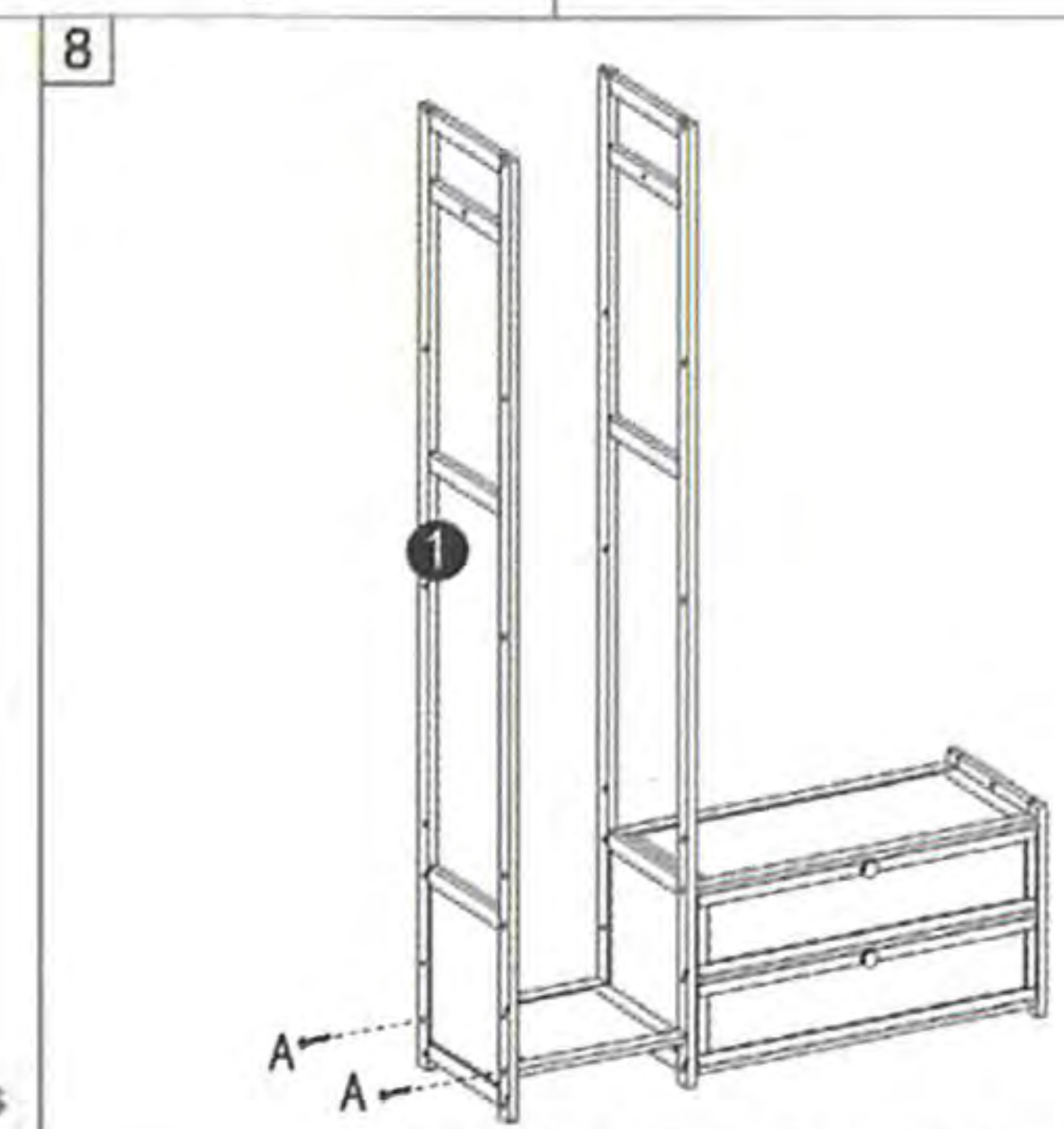


On this side with more holes, it is the front of the bracket

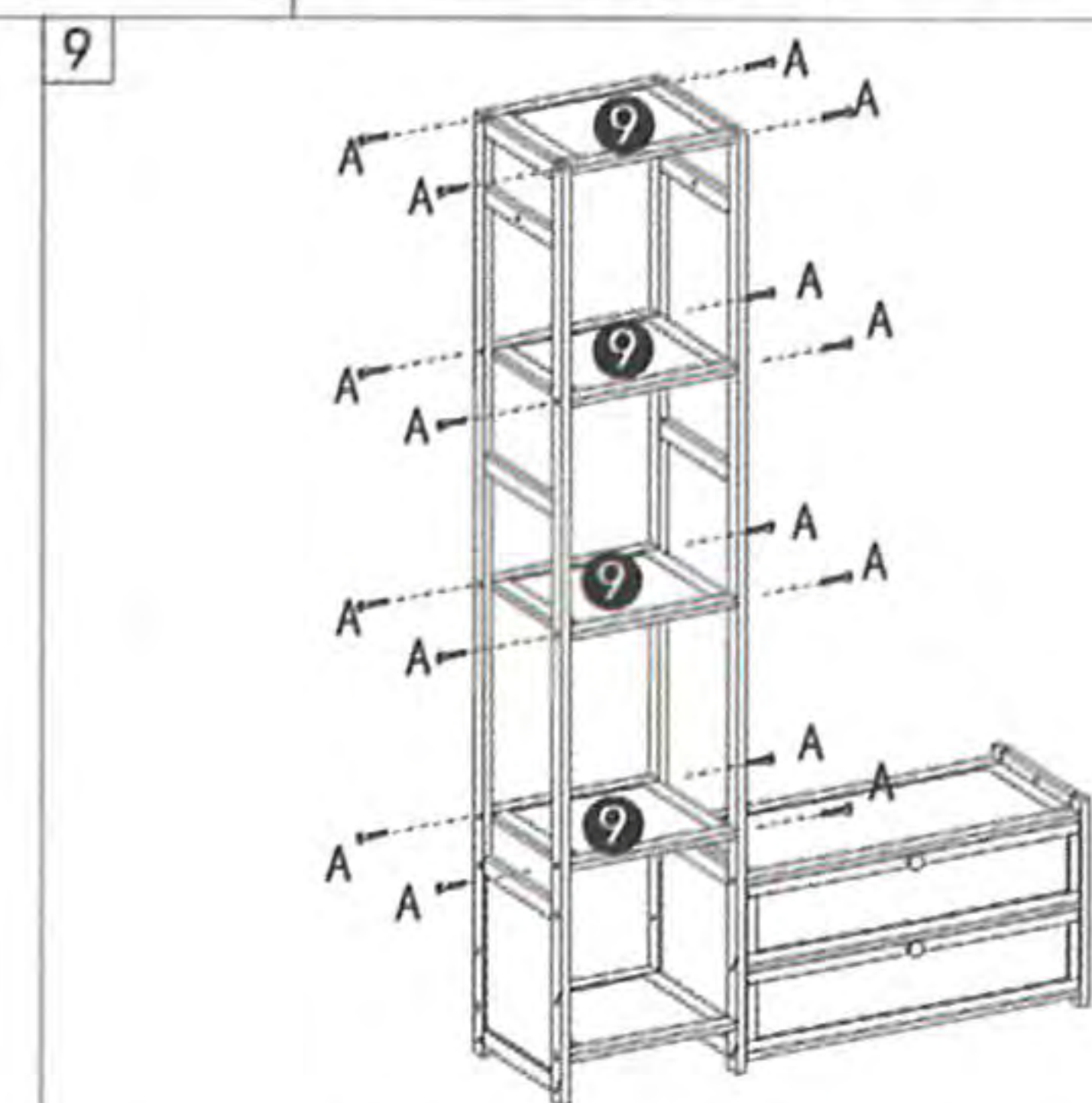
Use screw A to install the short shelf 9 on the second row of holes from the bottom of bracket 1



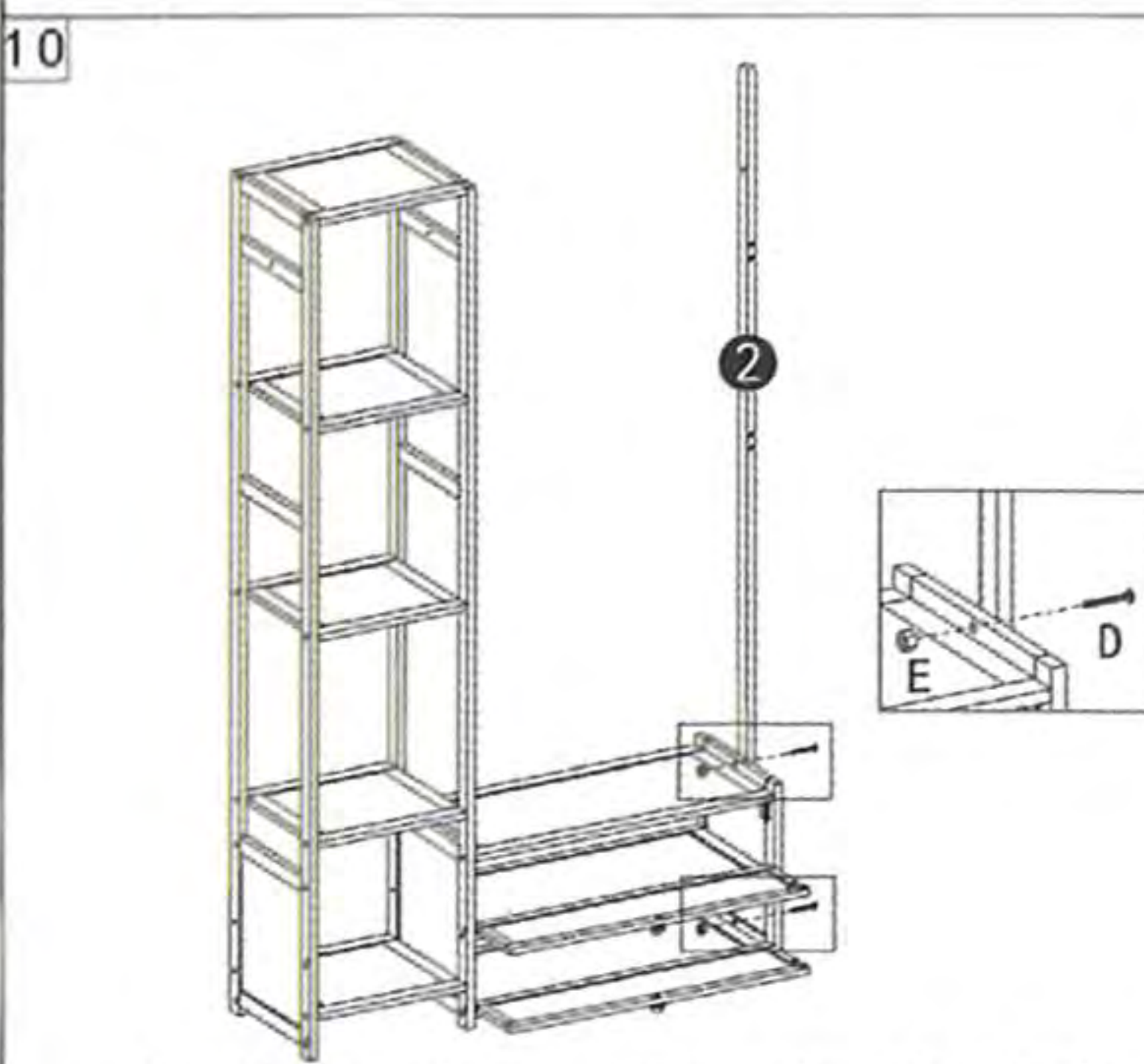
Use screw A to fix the component on the three shelves



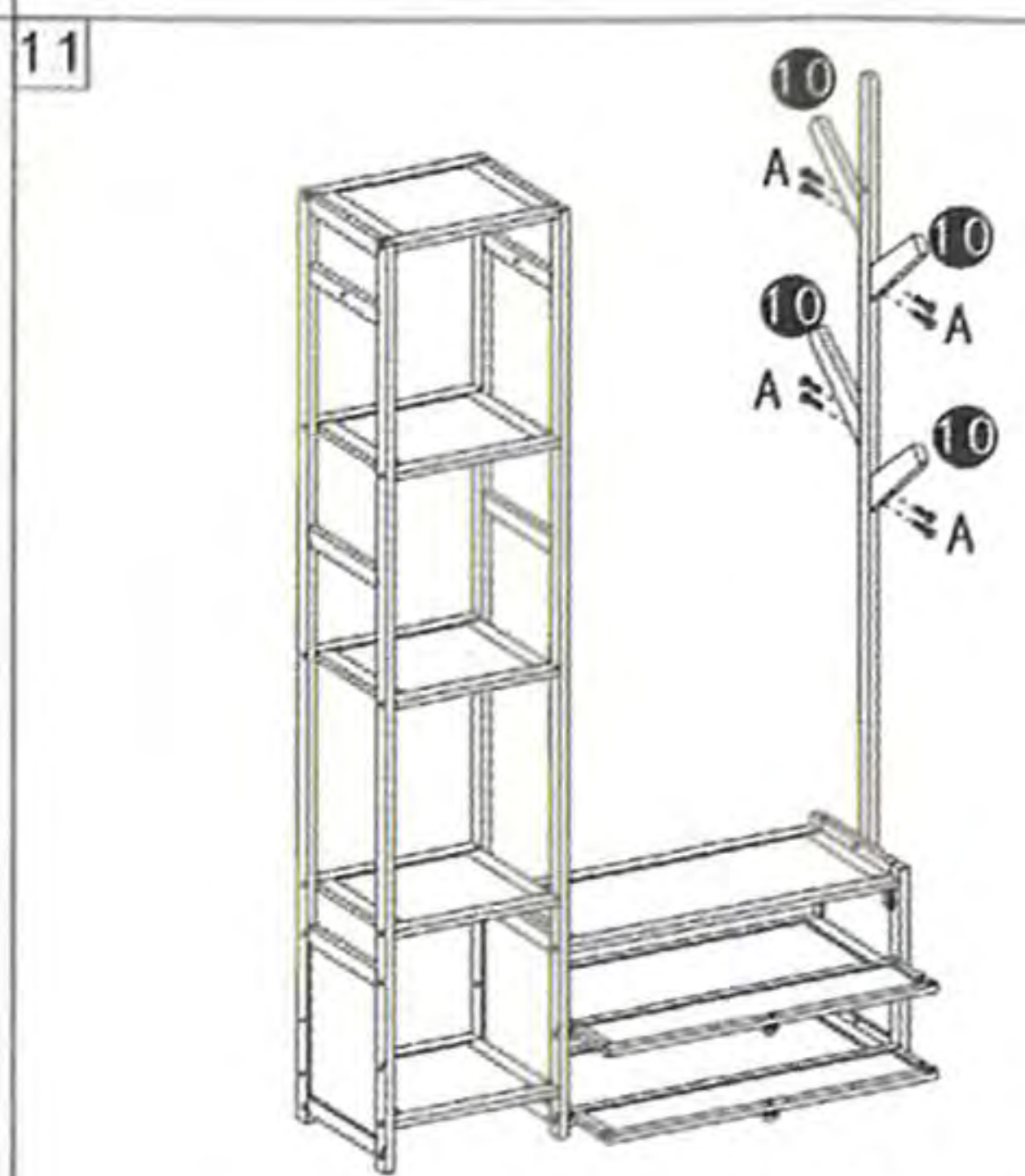
Install bracket 1 with screw A



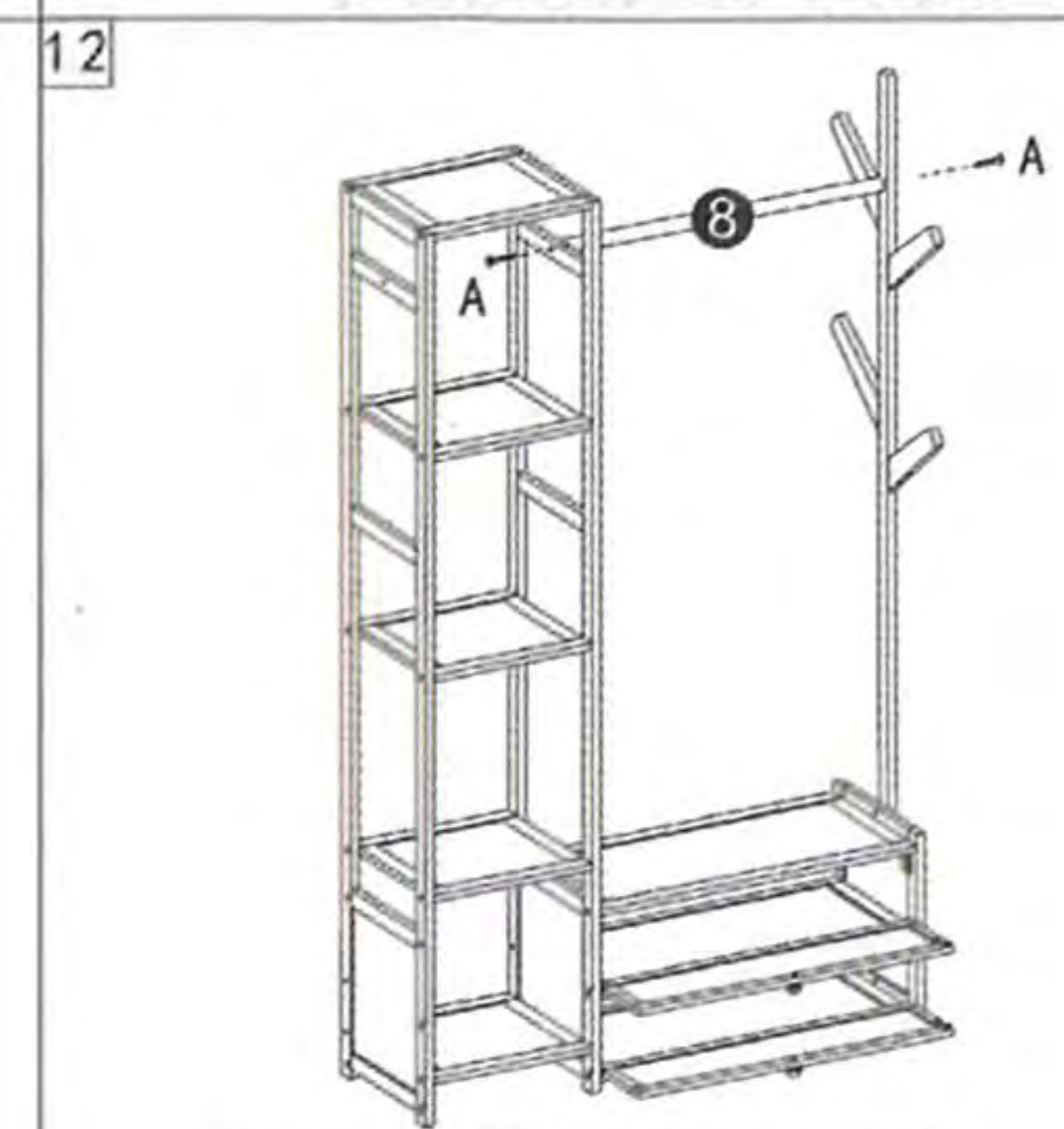
Install short shelf 9 with screw A



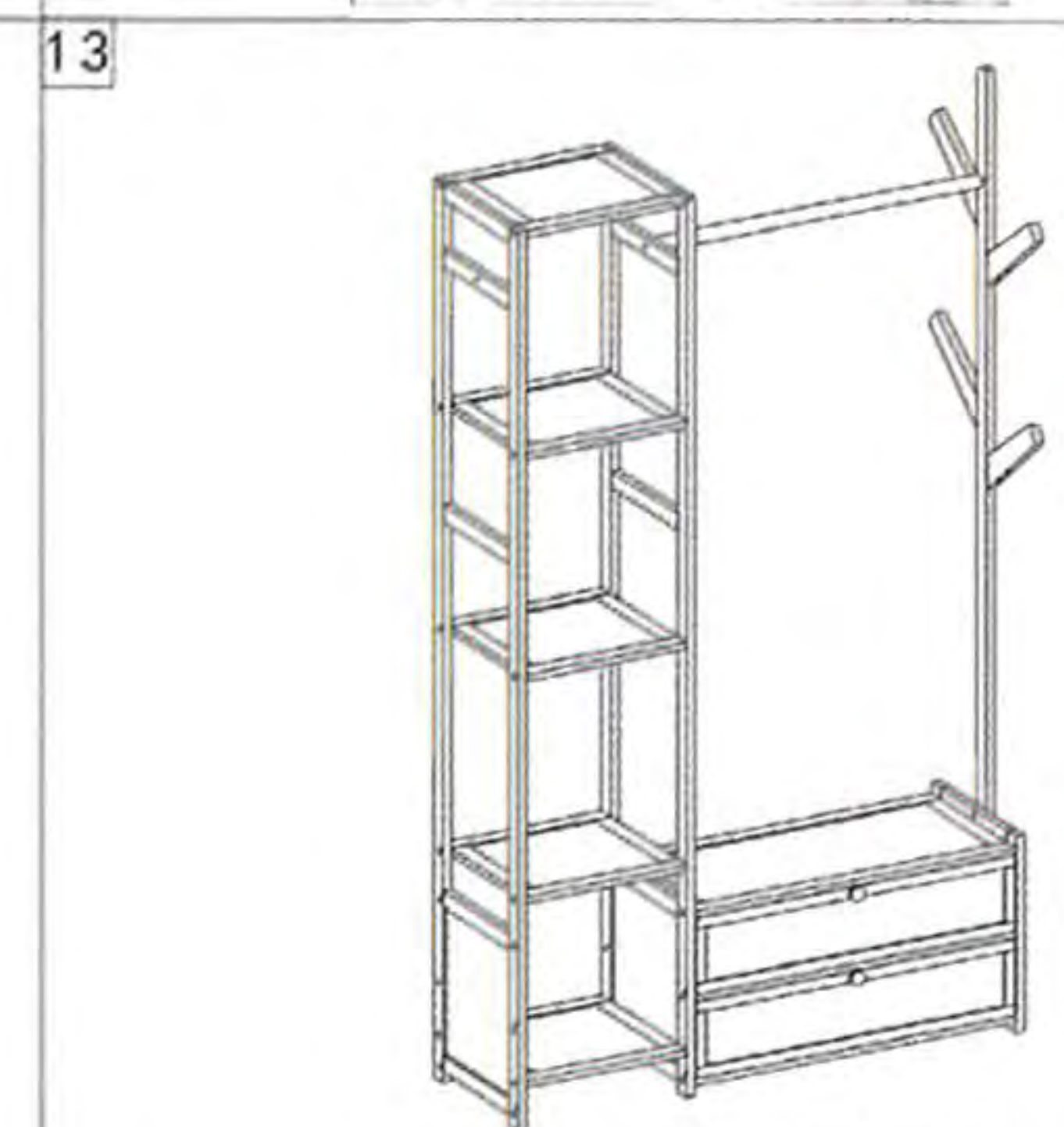
Install strip 2 with screws D and nuts E



Install hook 10 with screw A



Install round bar 8 with screw A



The installation is complete