



Please be sure to use a manual screwdriver
and refrain from using an electric drill.

SOCE008 - 18CM Installation Instruction



①



②



③



④



⑤



⑥



⑦



⑨



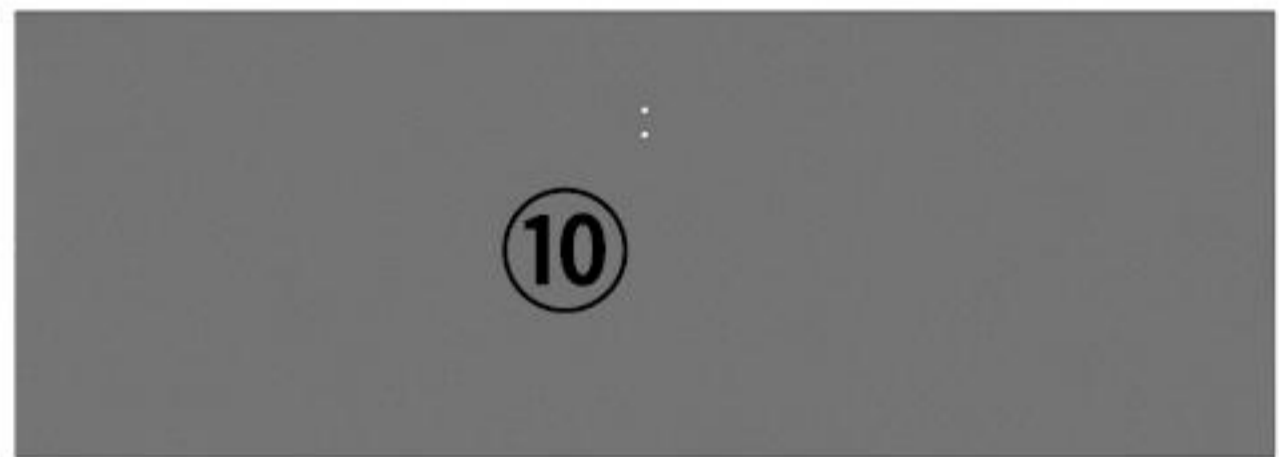
⑪



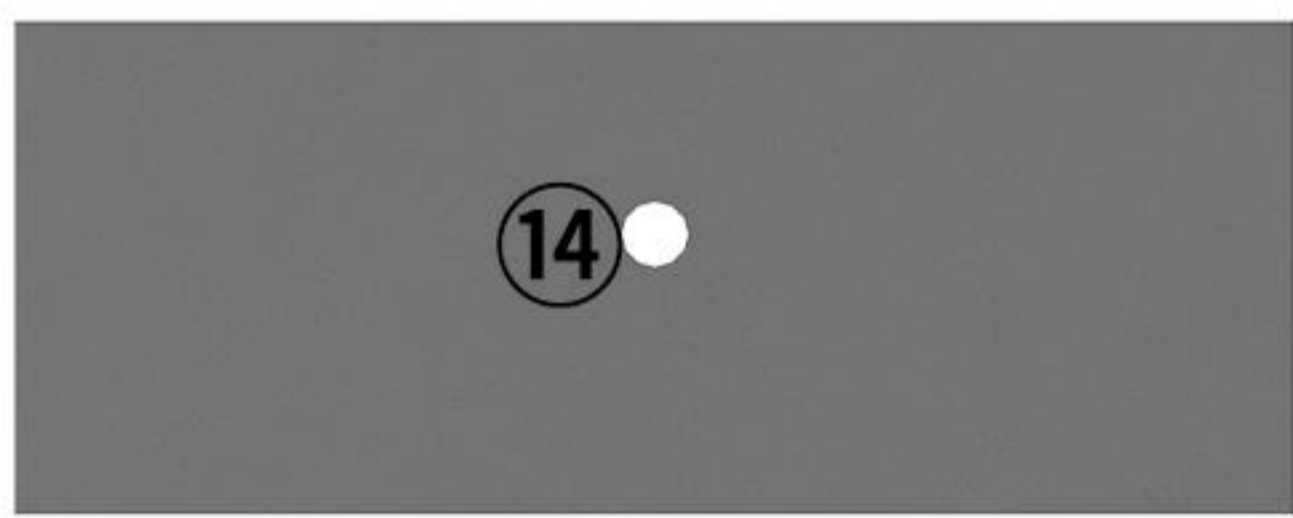
⑫



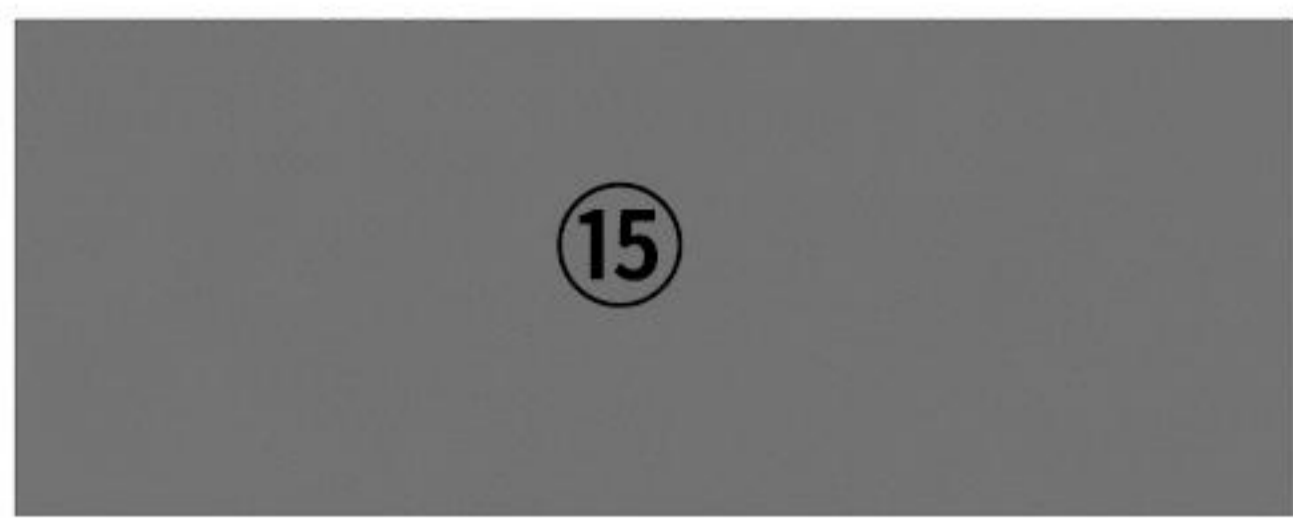
⑬



⑩



⑭



⑮



W9*1



K6*8



Q36*4



L11*3



B16*6



J26*3



D1*28



D7*8



P10*6



S15*6



A1*50



B13*34



B11*25



K11*1



Tripod Legs

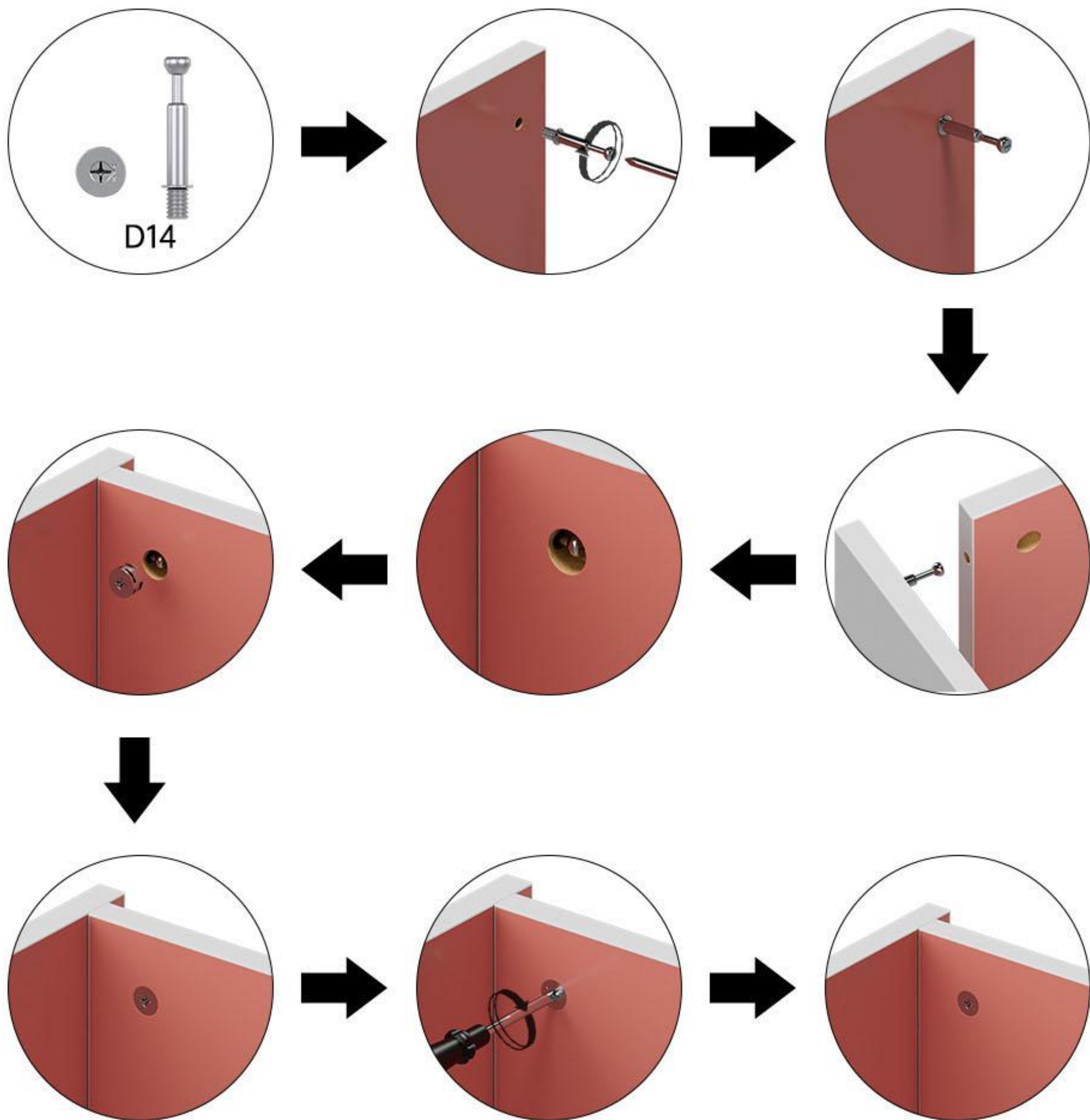


Cylindrical
Legs



Flip-bin hinge

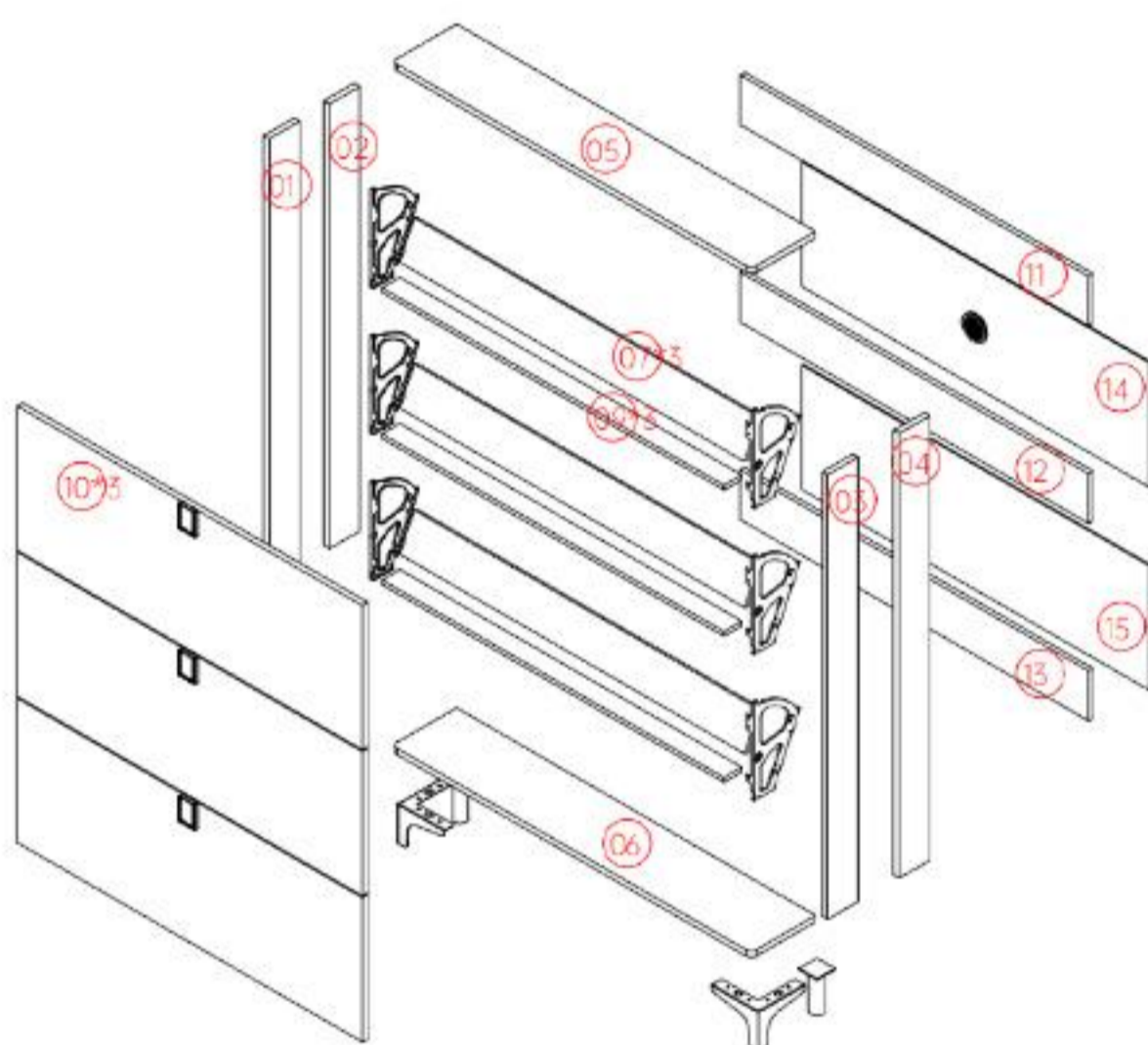
Installation method of eccentric screw



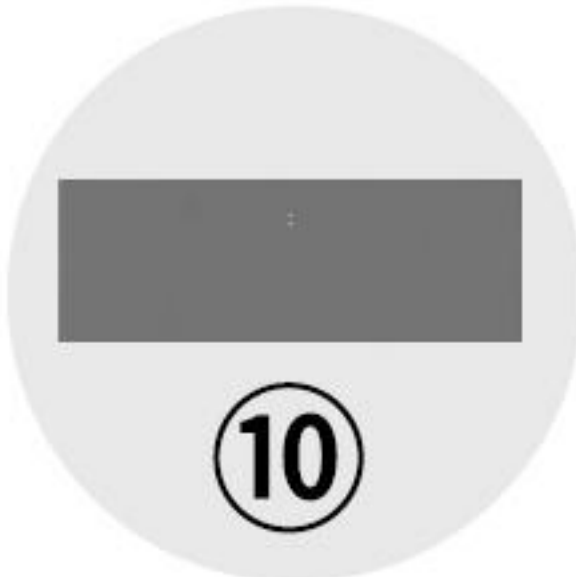
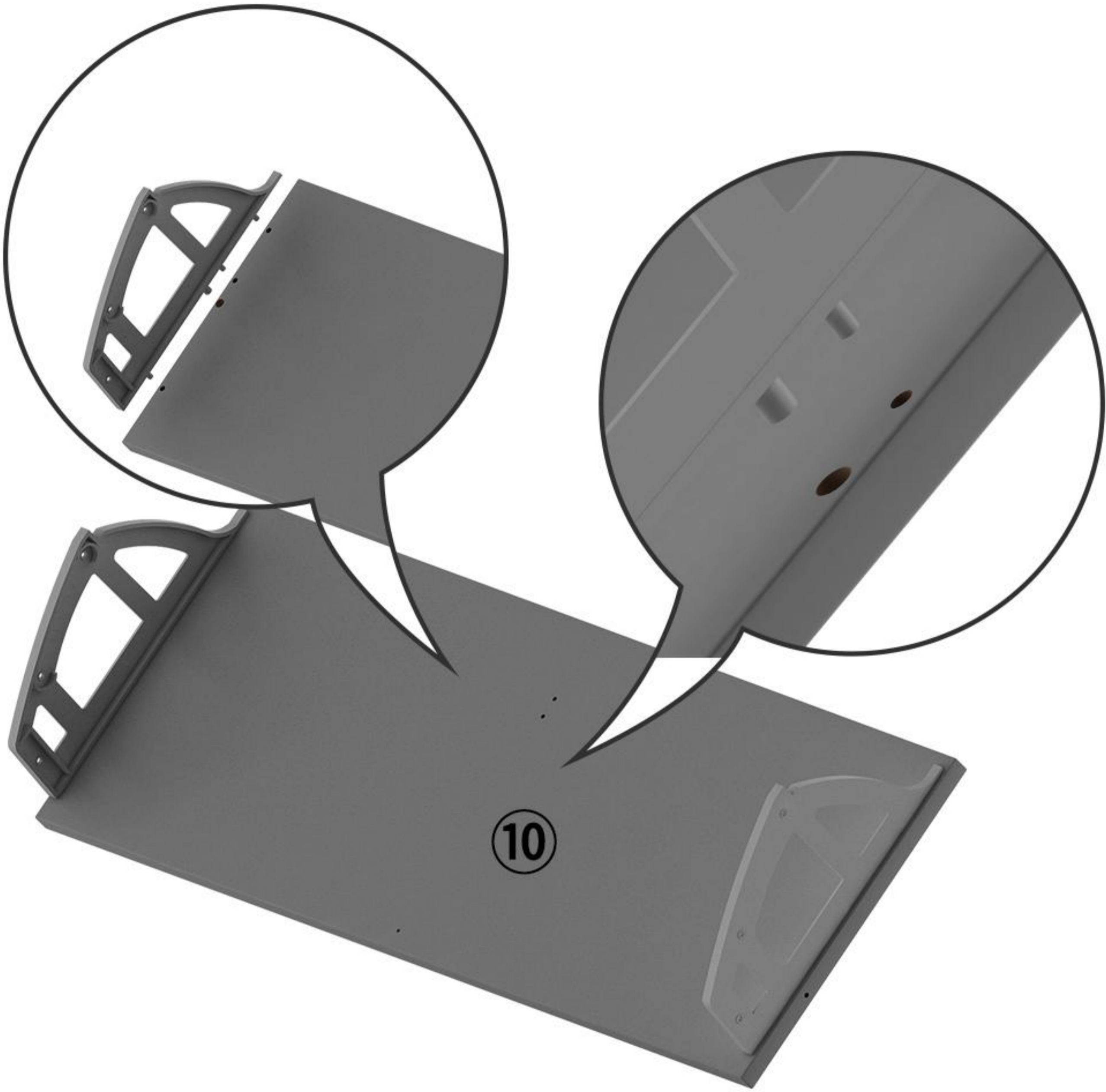
Presentation of finished product



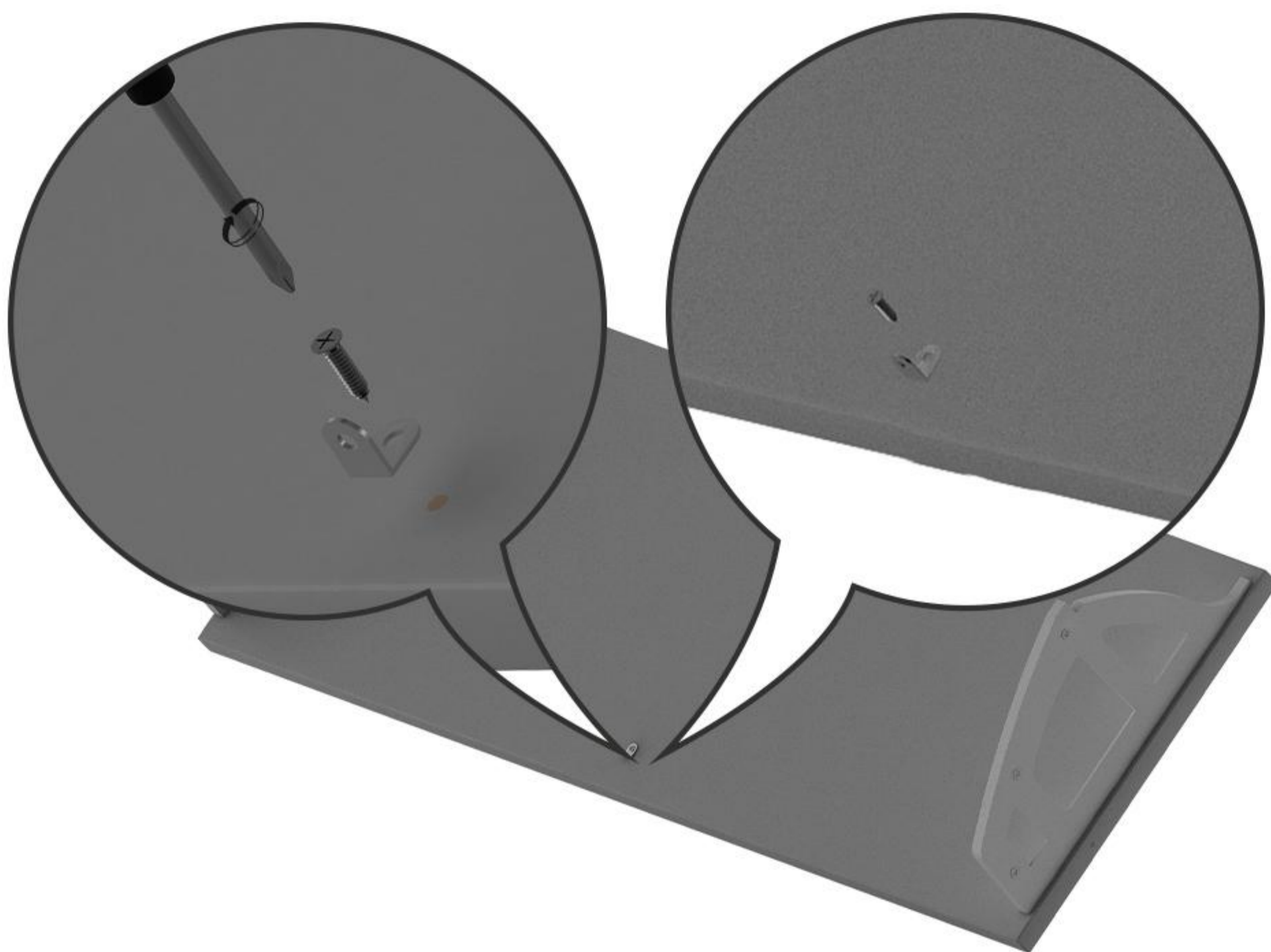
Product Split Diagram



1



2

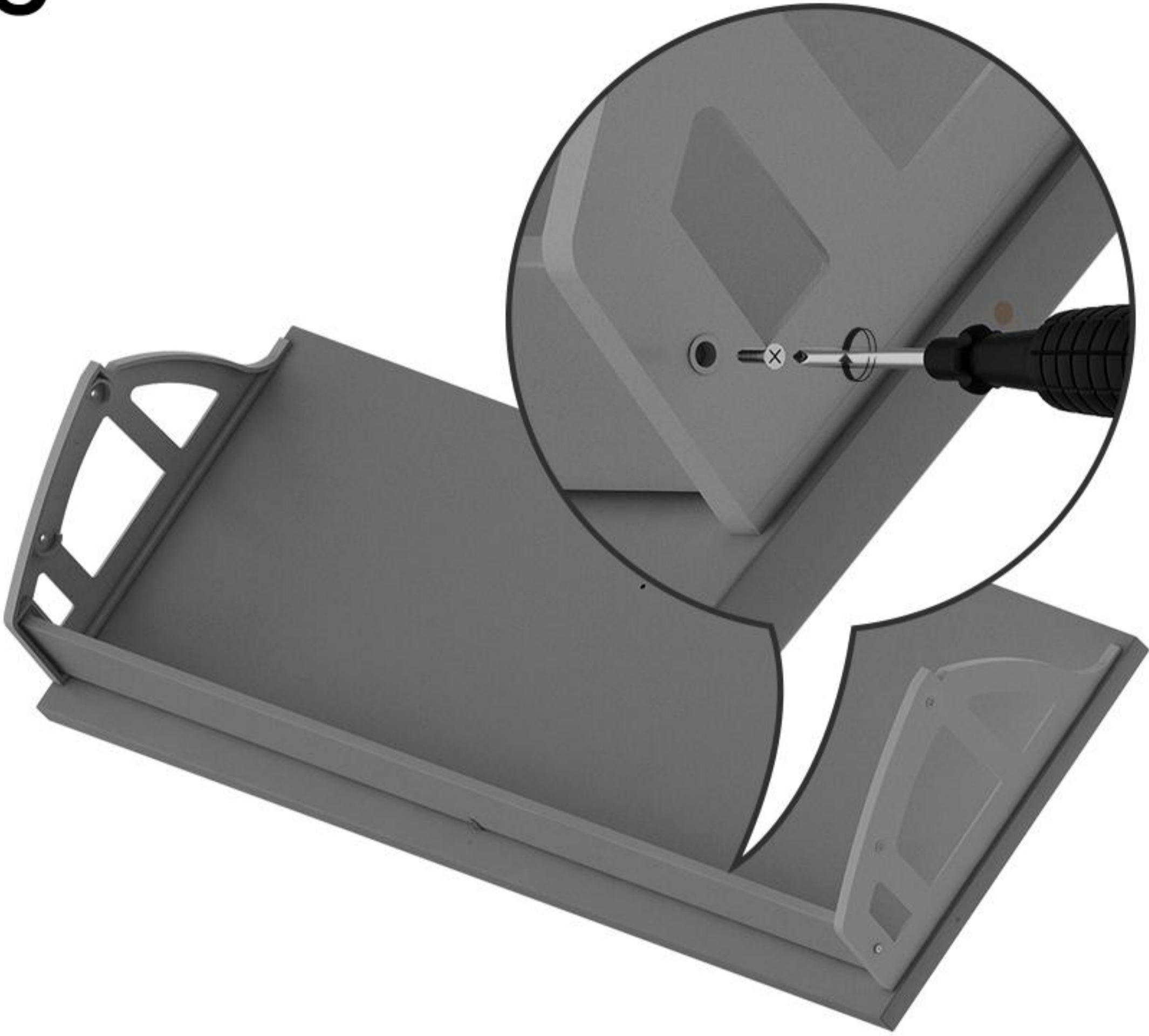


L11



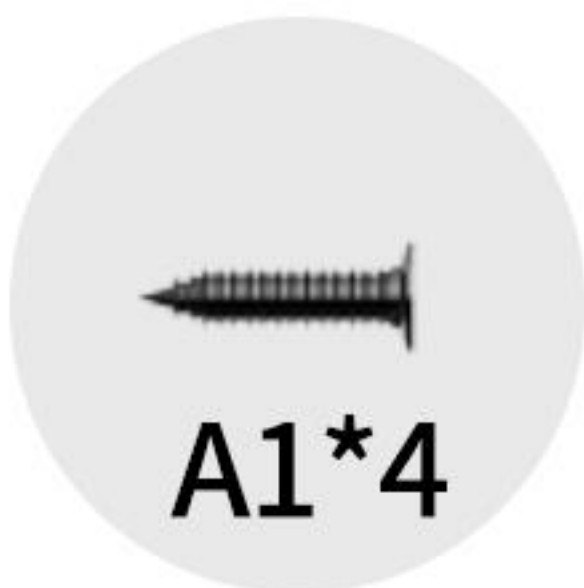
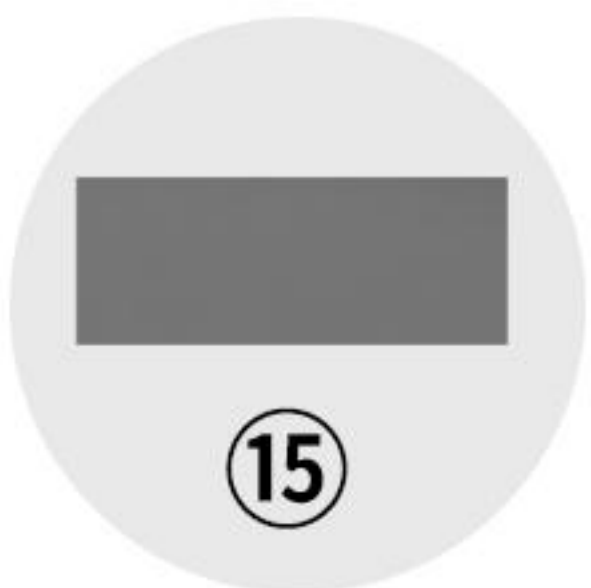
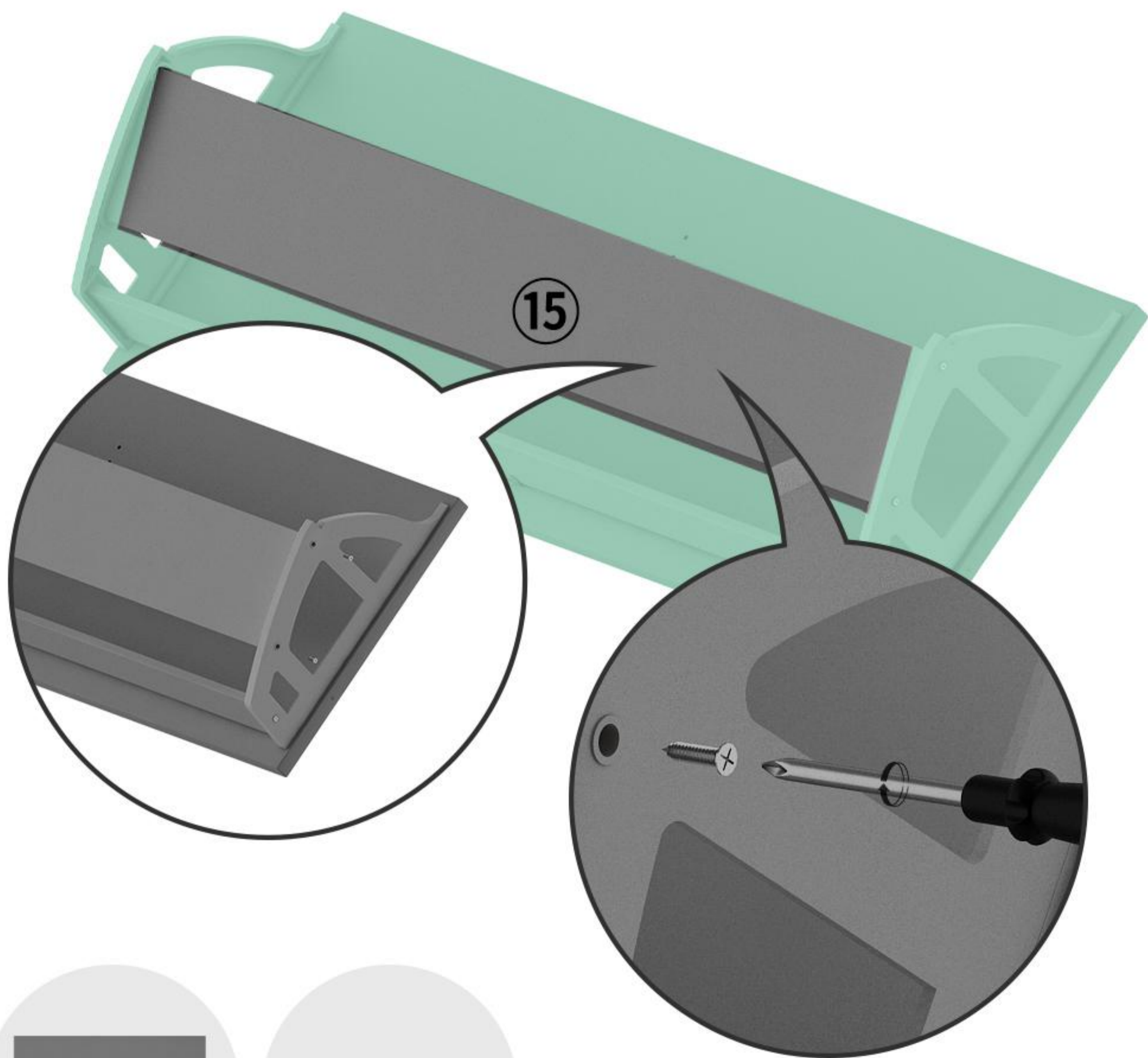
A1

3

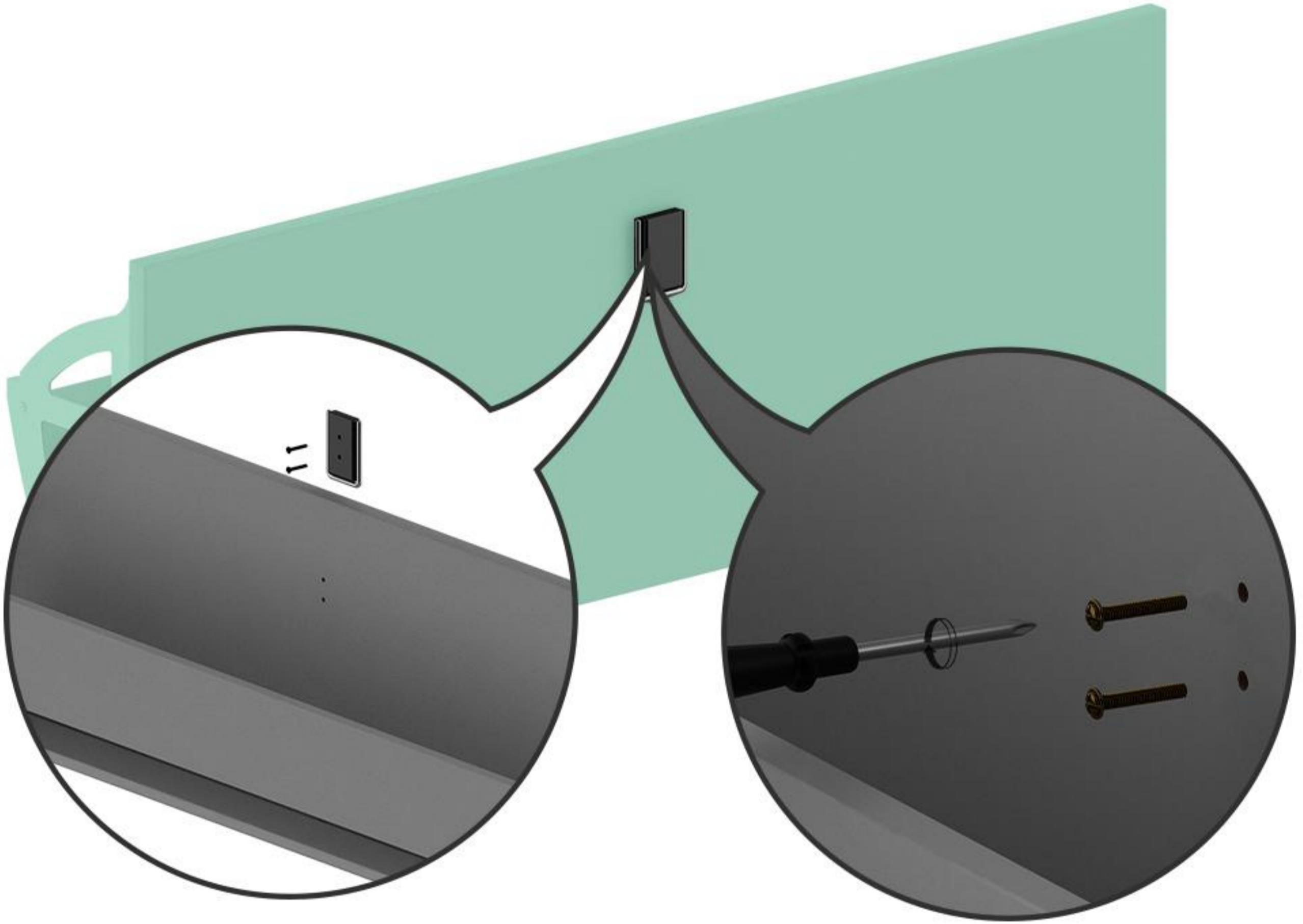


A1*2

4



5

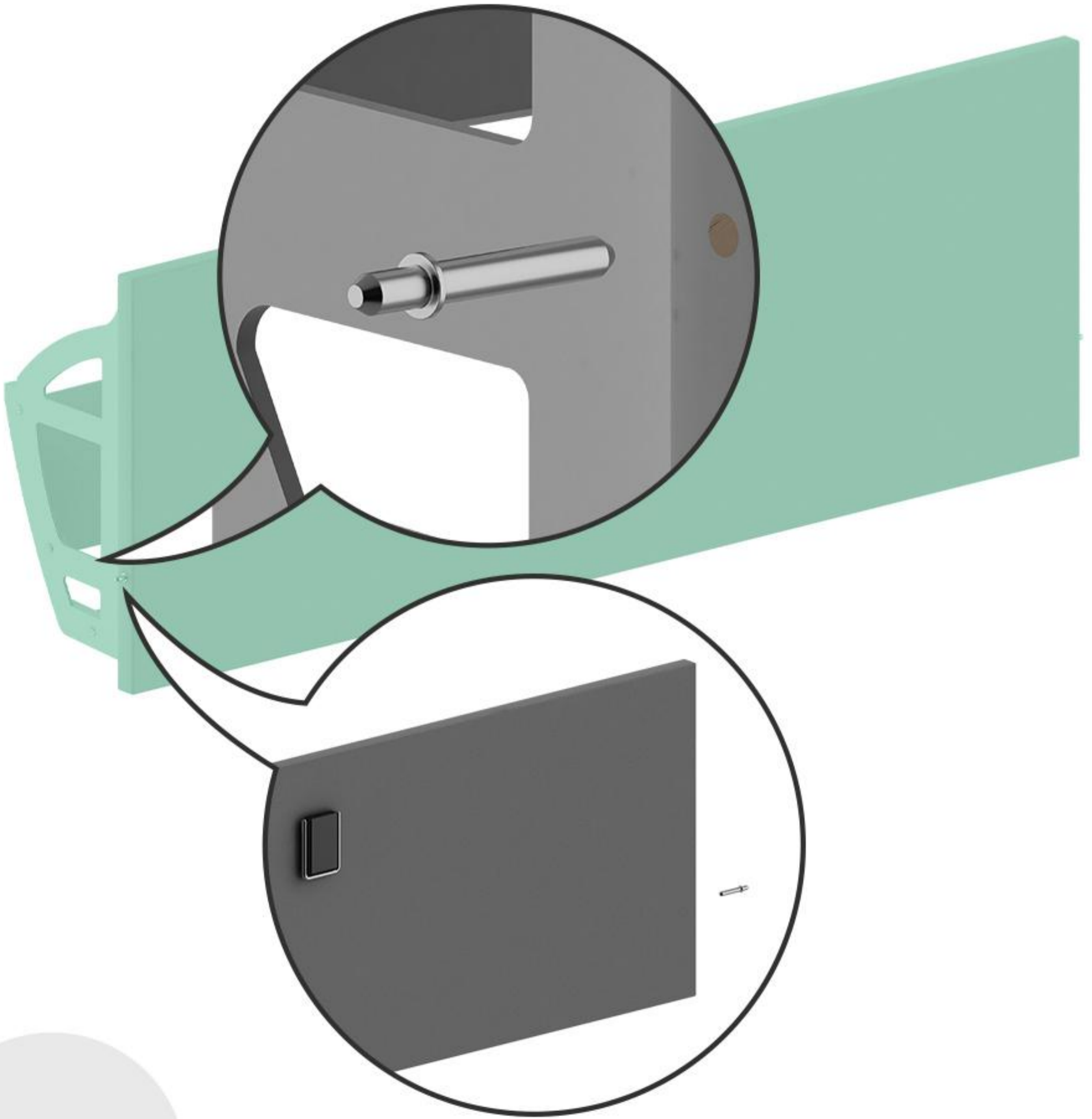


J62



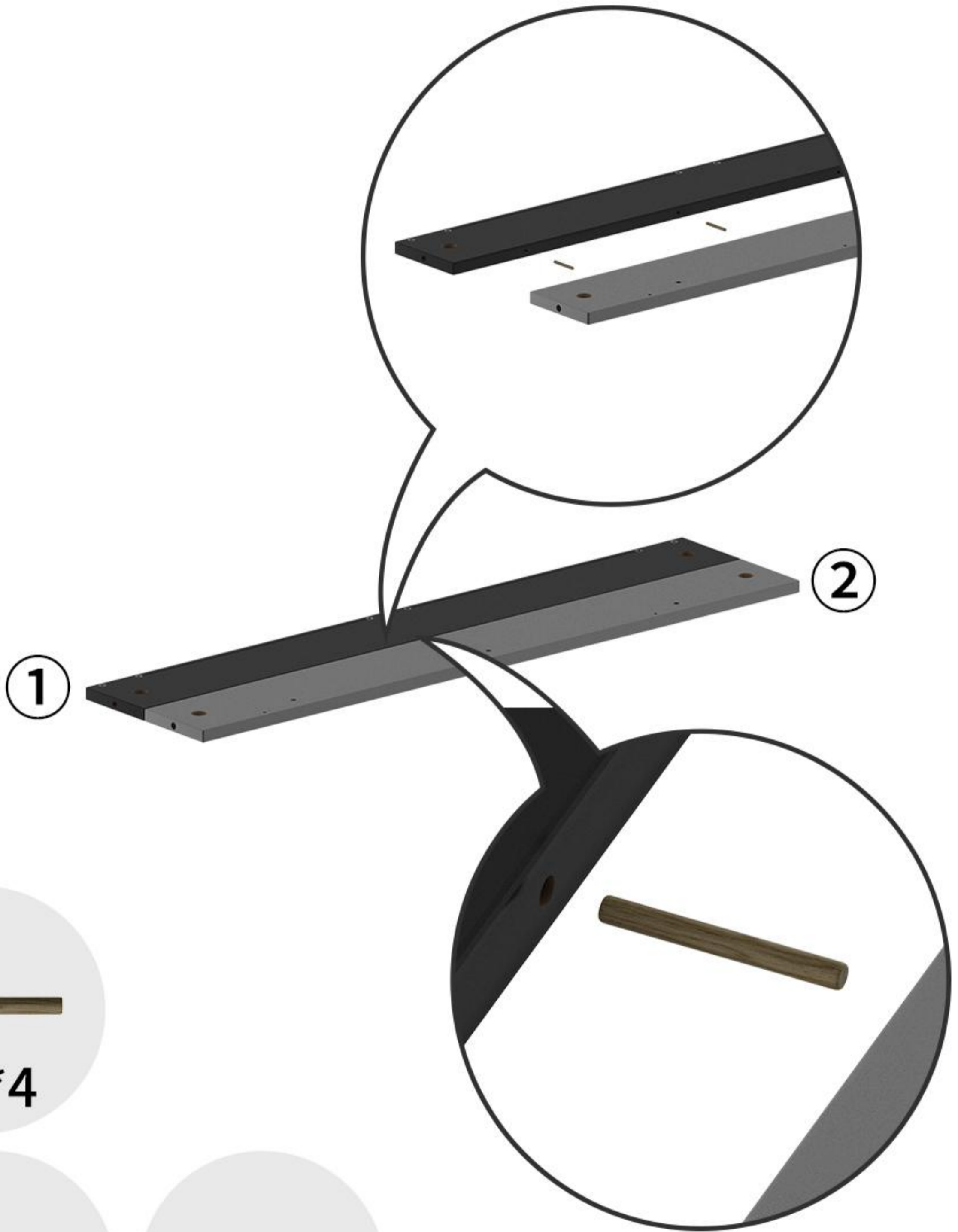
B16*2

6

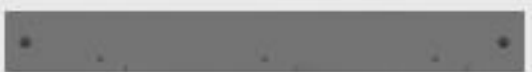


P10*2

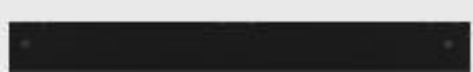
7



D7*4



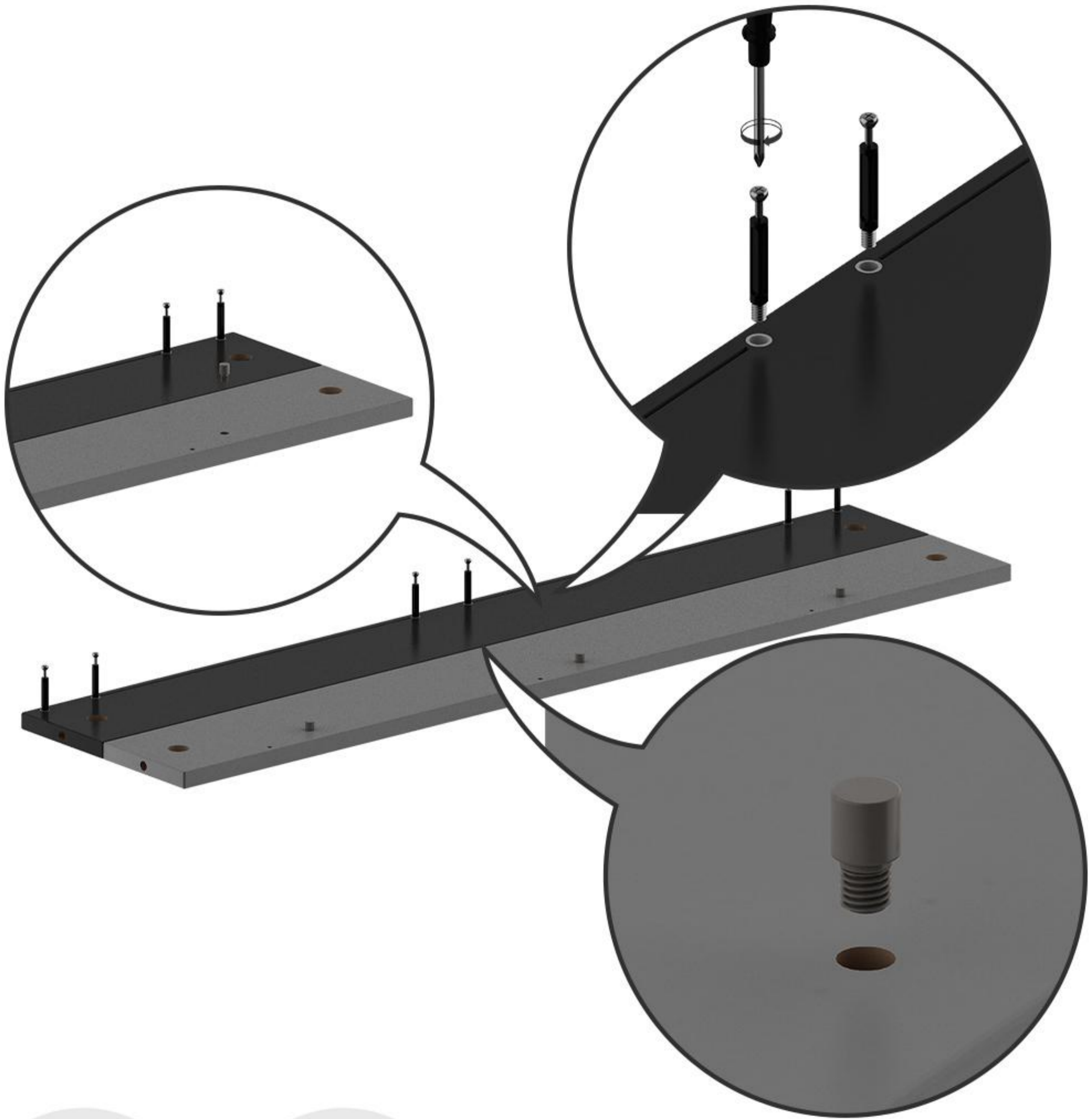
1



2

8

Repeat steps 8-9 for panels ③ and ④

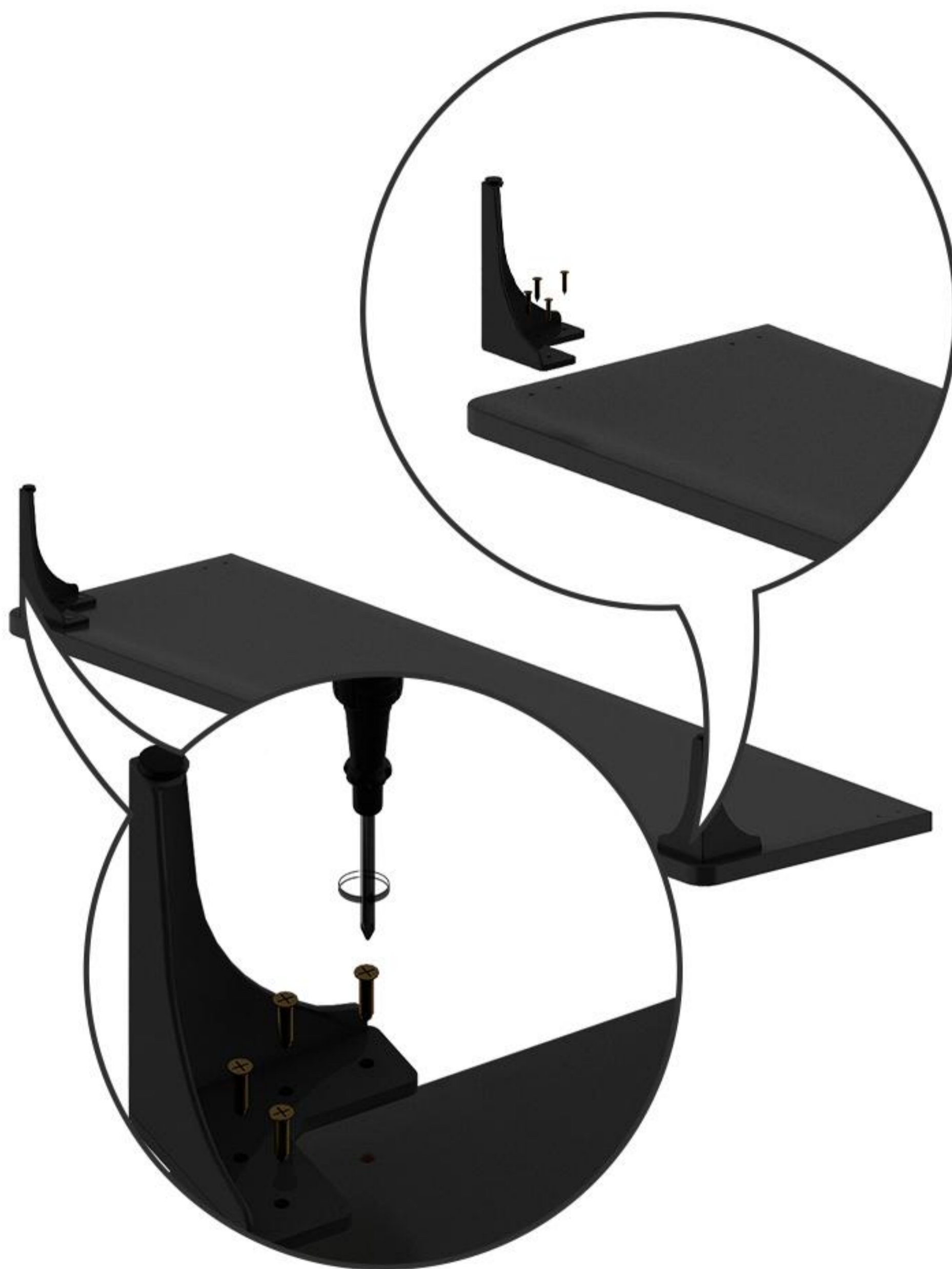


D1*6



S15*3

9

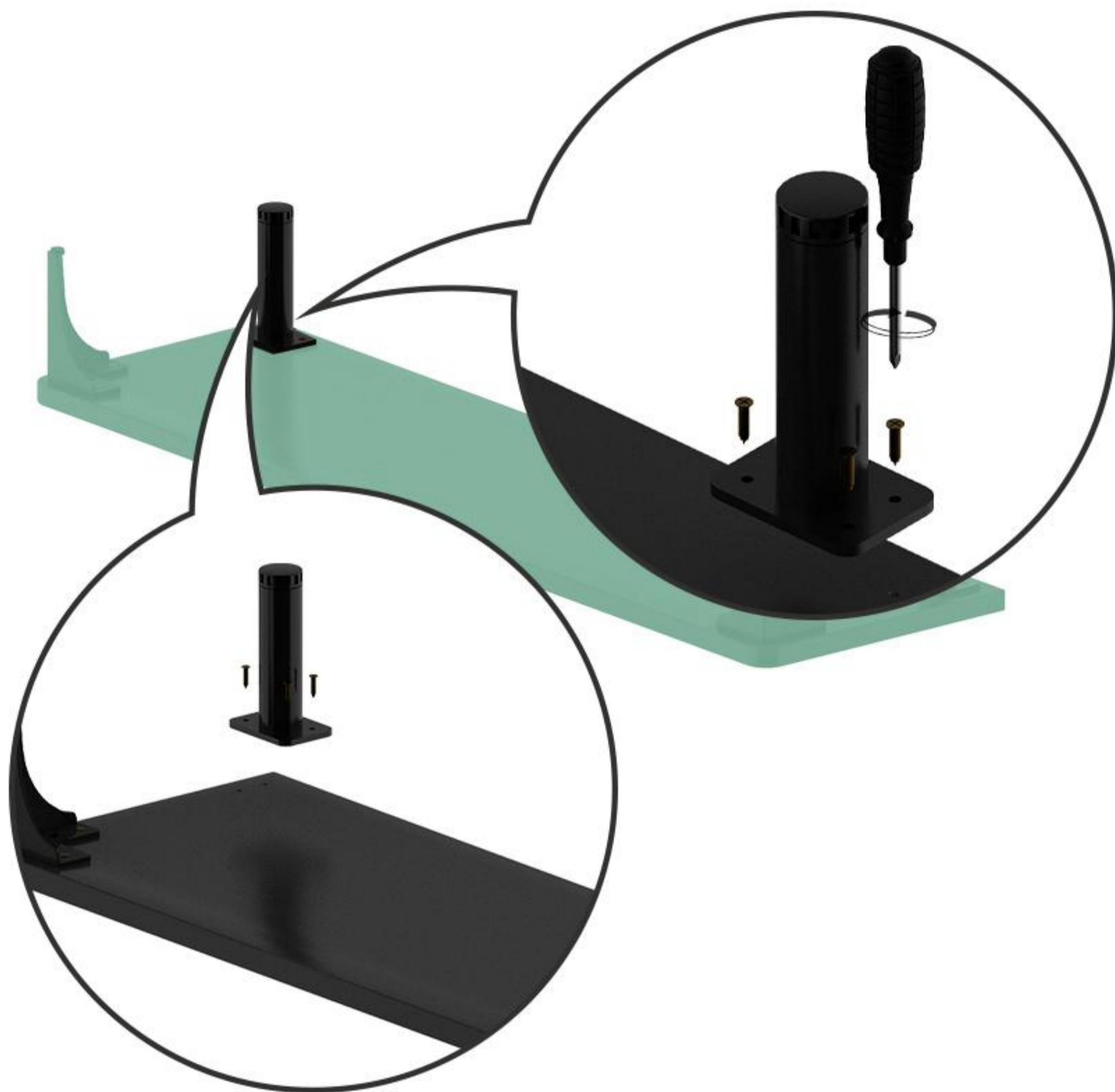


B11*8



Tripod Legs

10

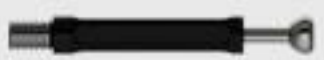
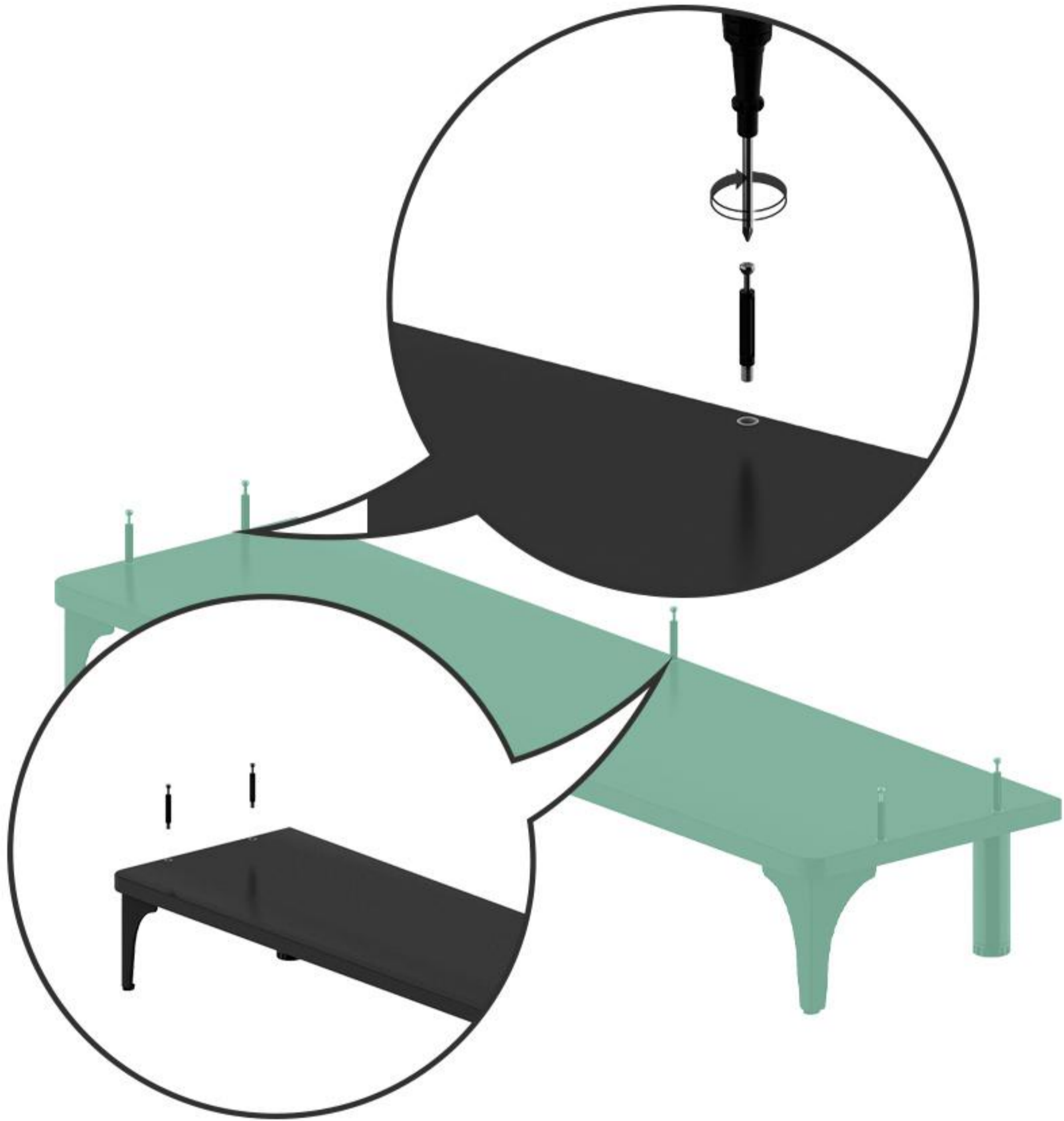


B11*4



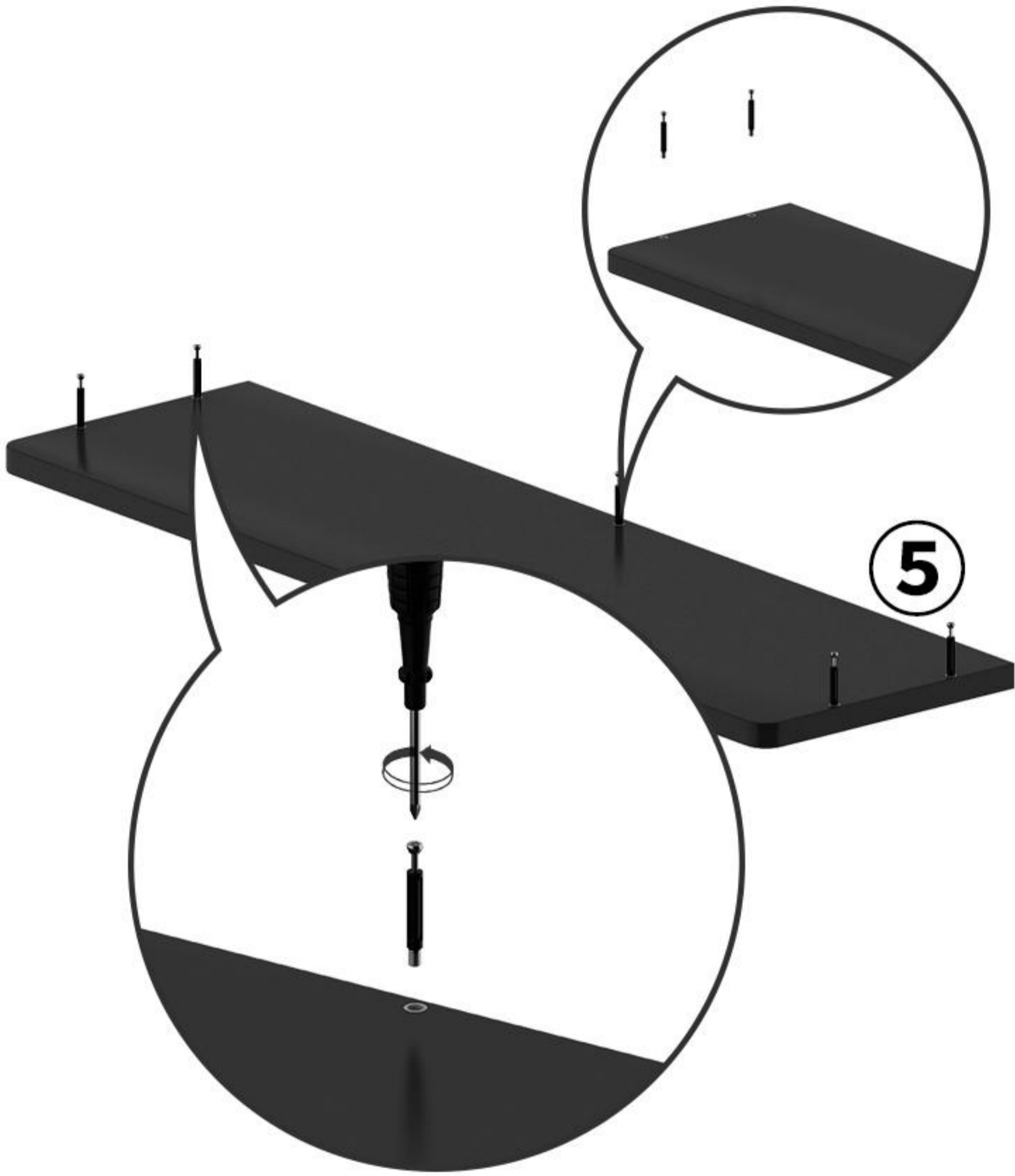
**Cylindrical
Legs**

11



D1*5

12

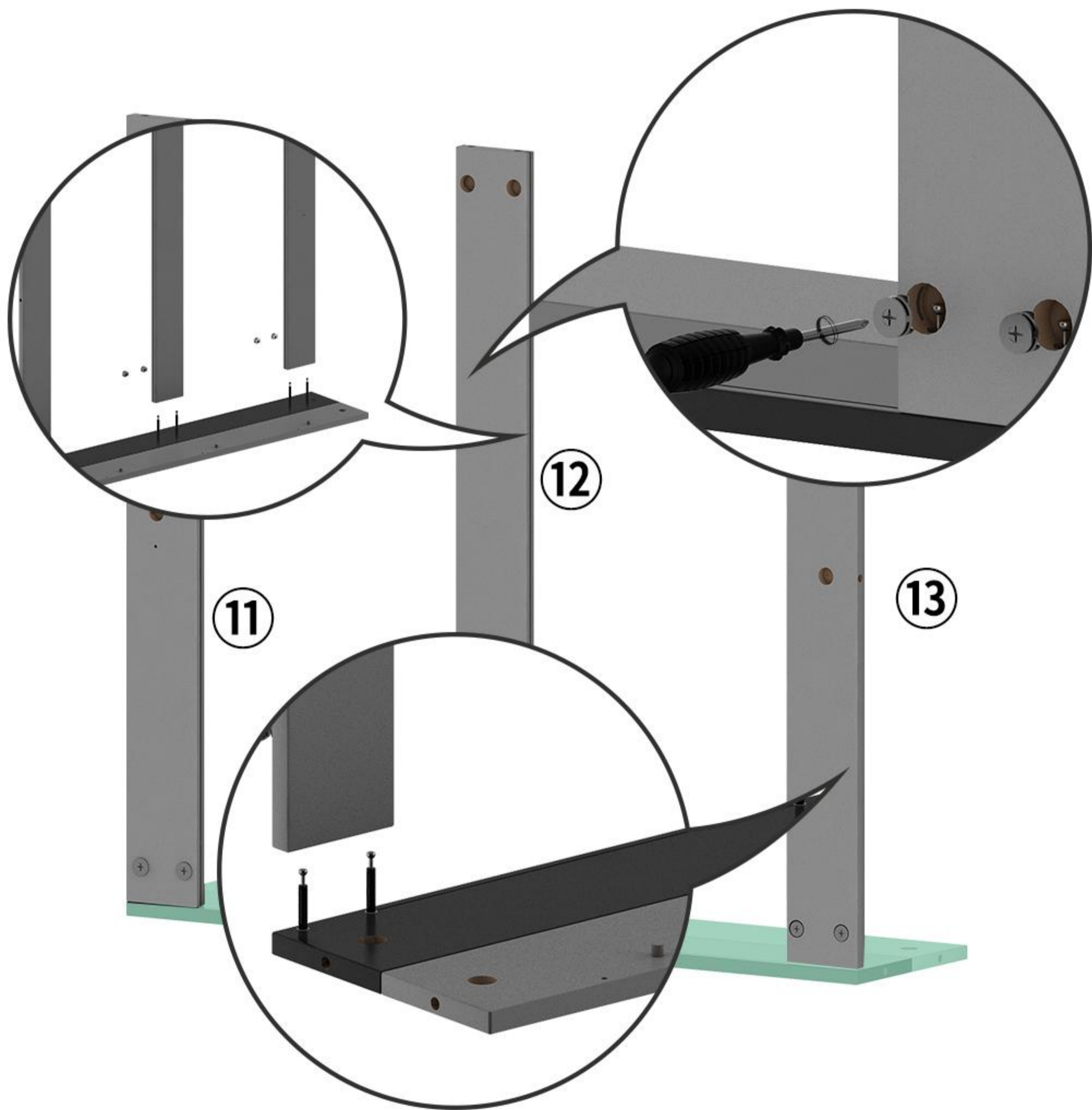


D1*5



5

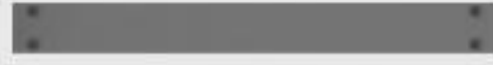
13



D1*6



11

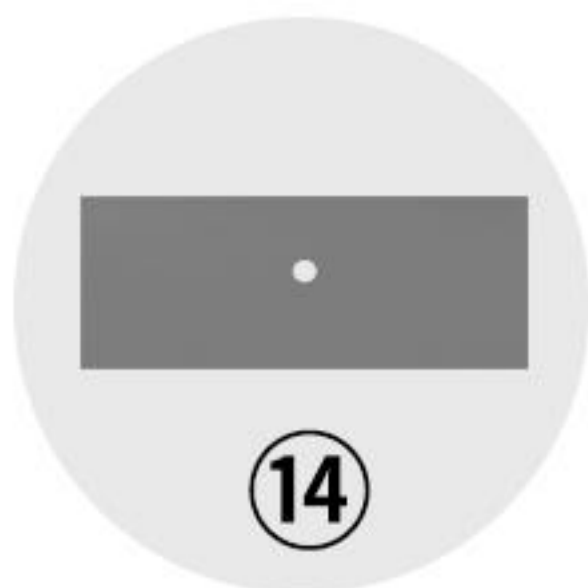
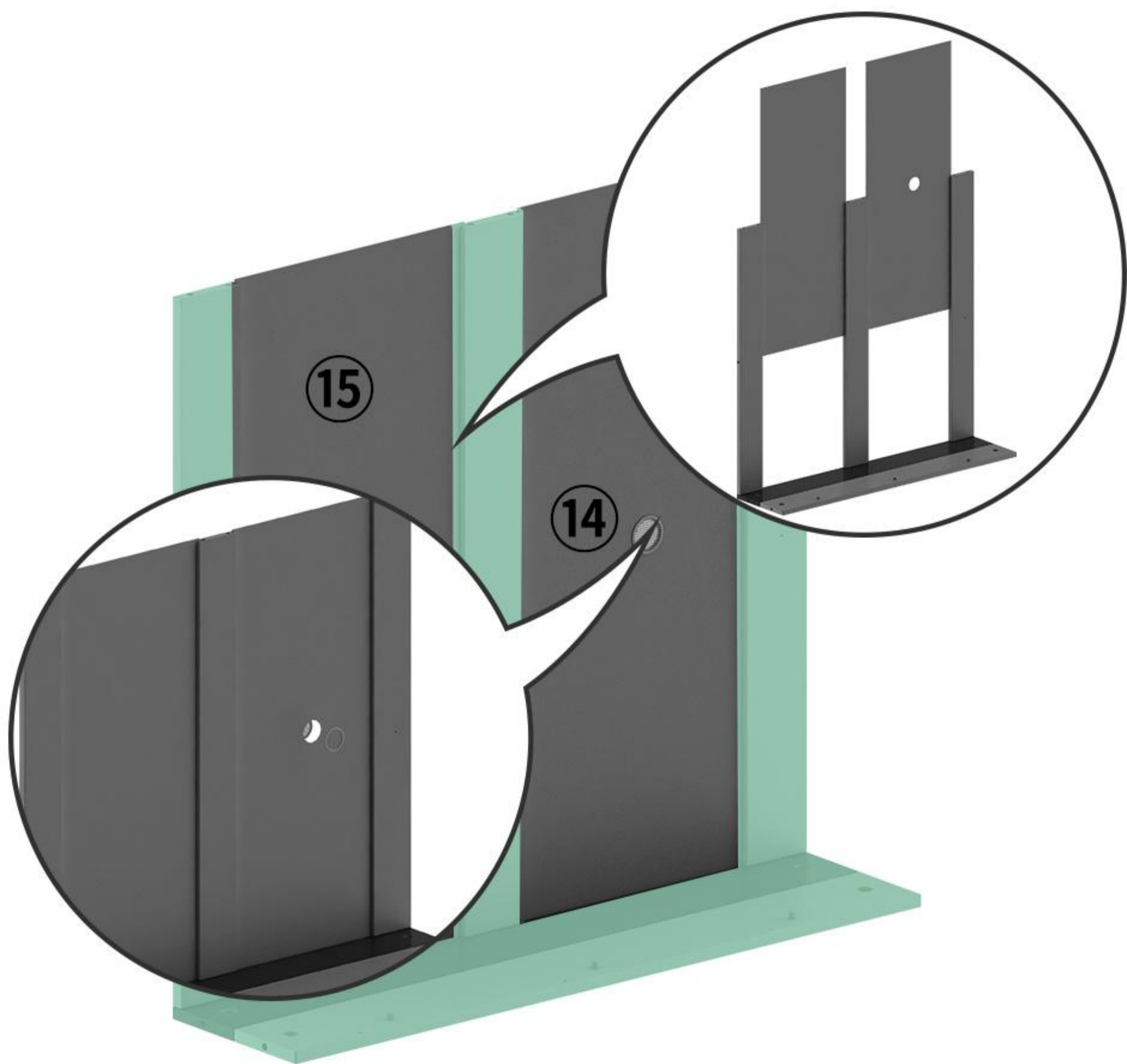


12

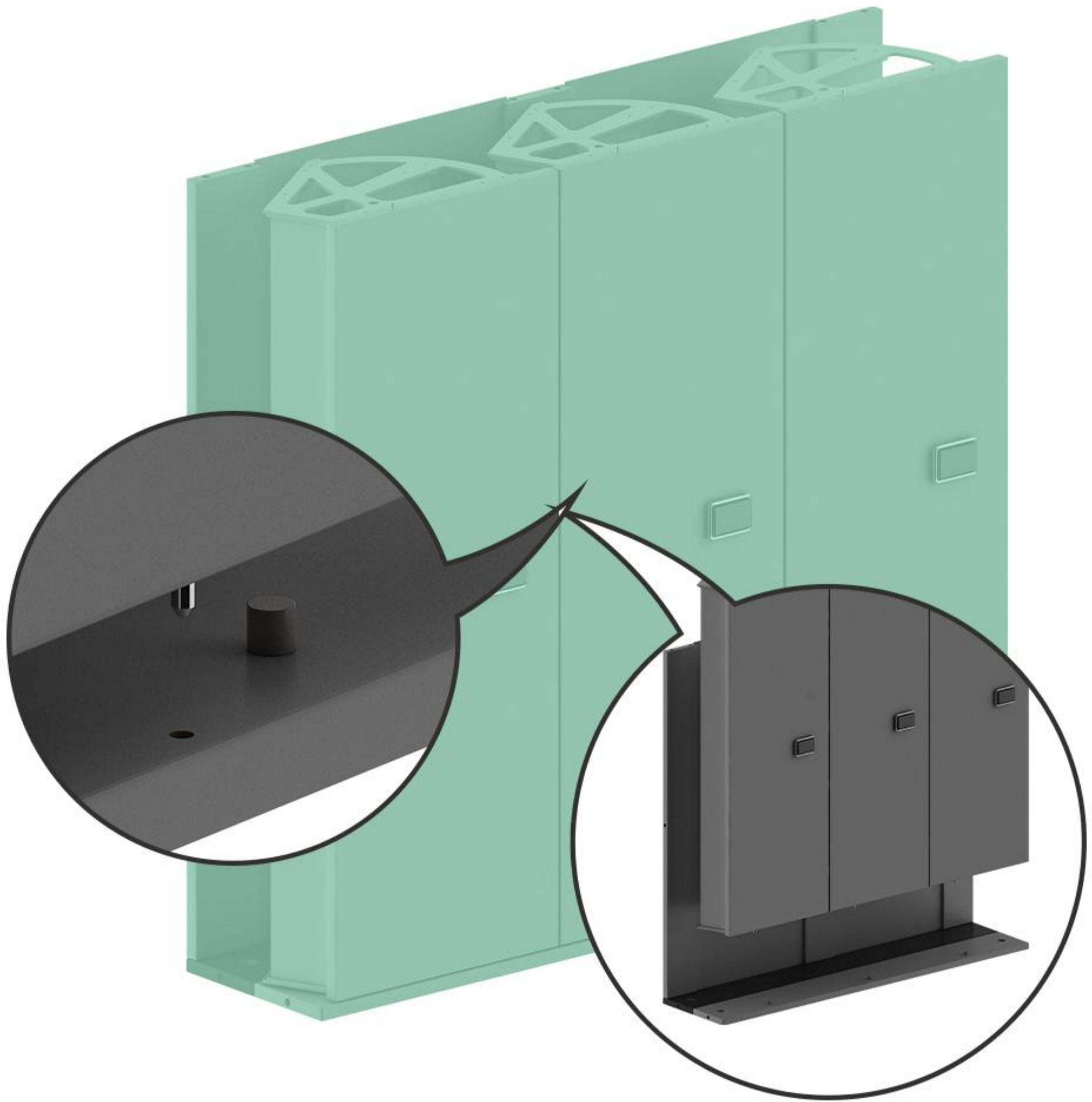


13

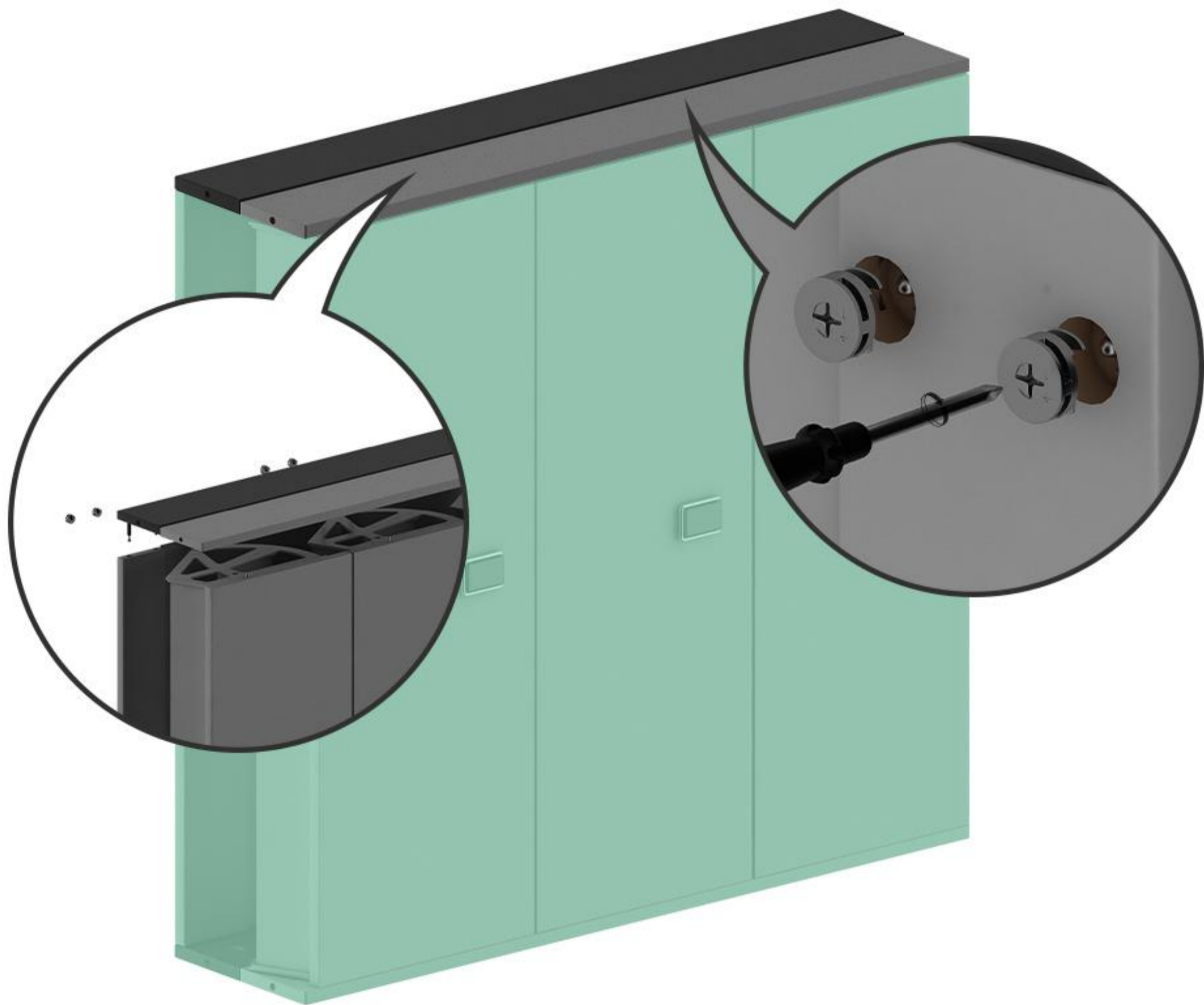
14



15

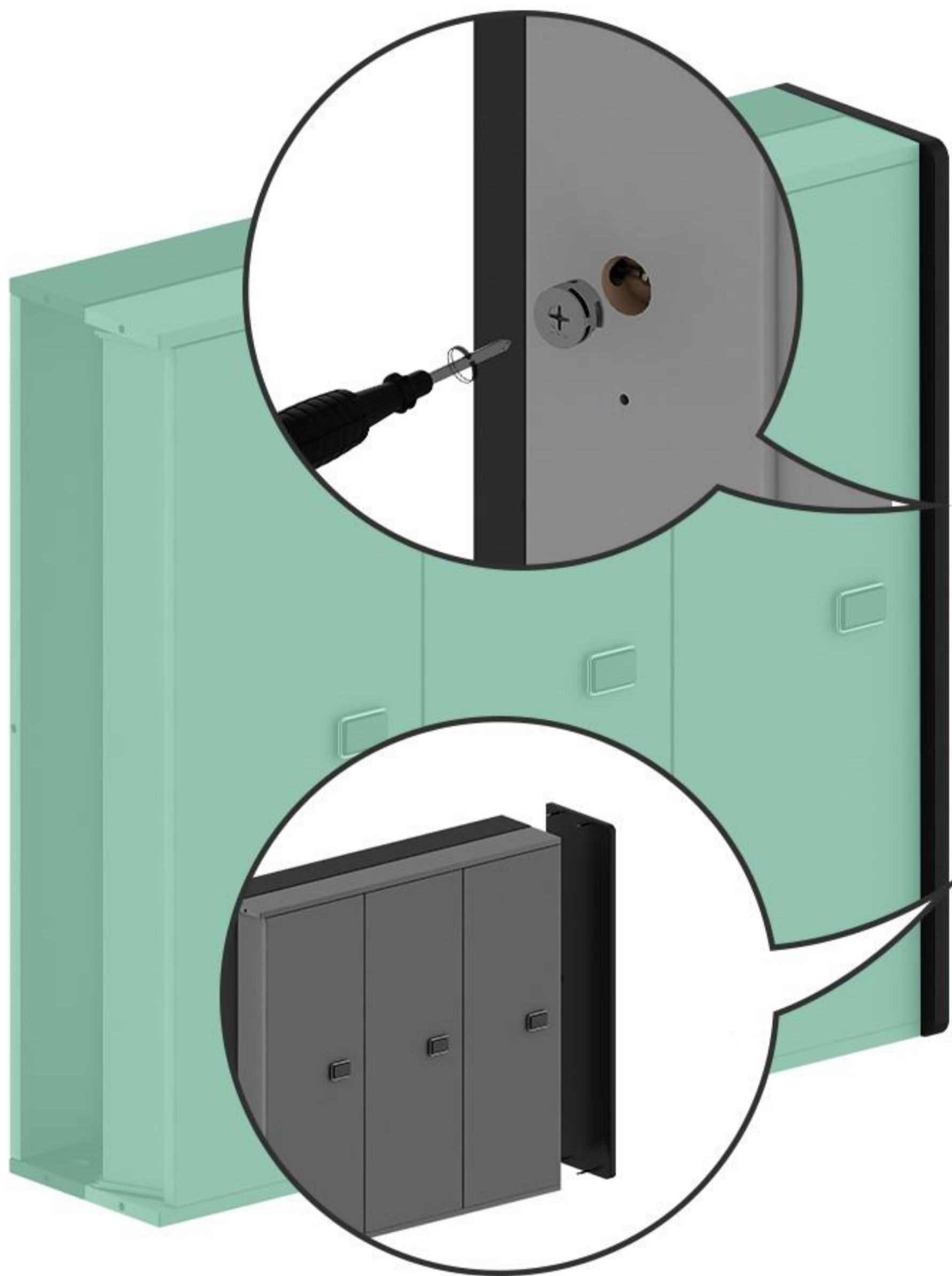


16



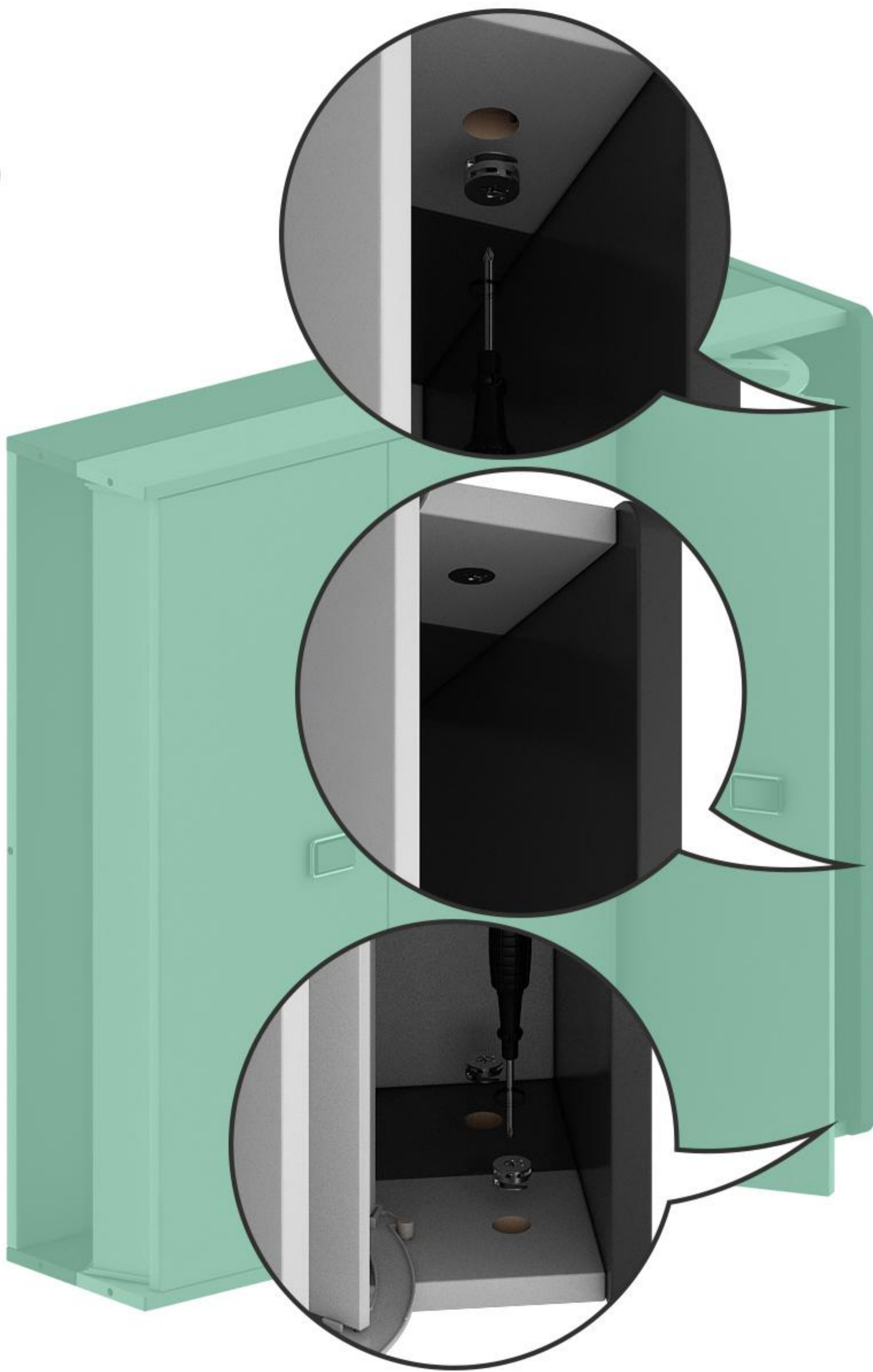
D1*6

17



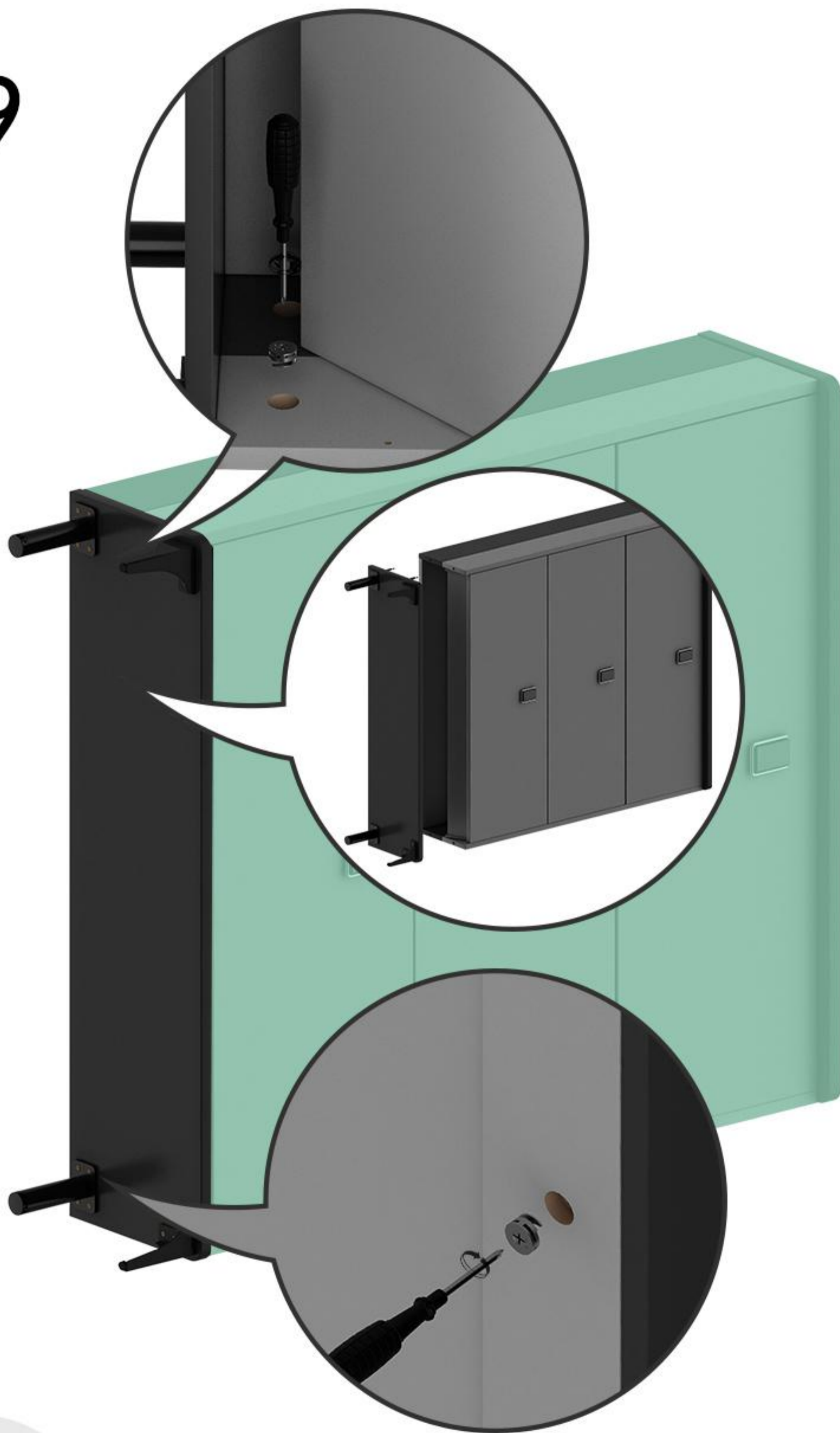
D1*1

18



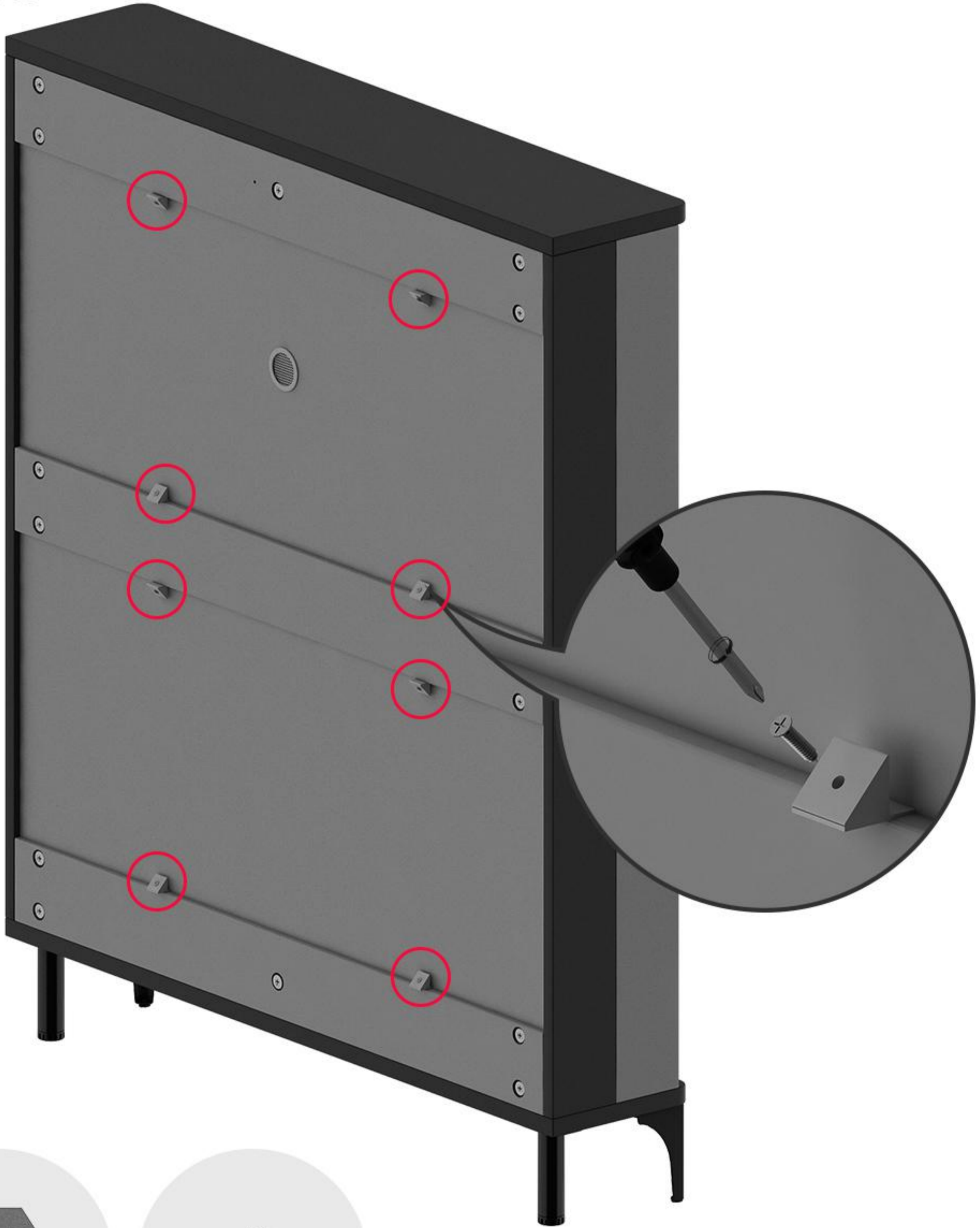
D1*2

19



D1*5

20



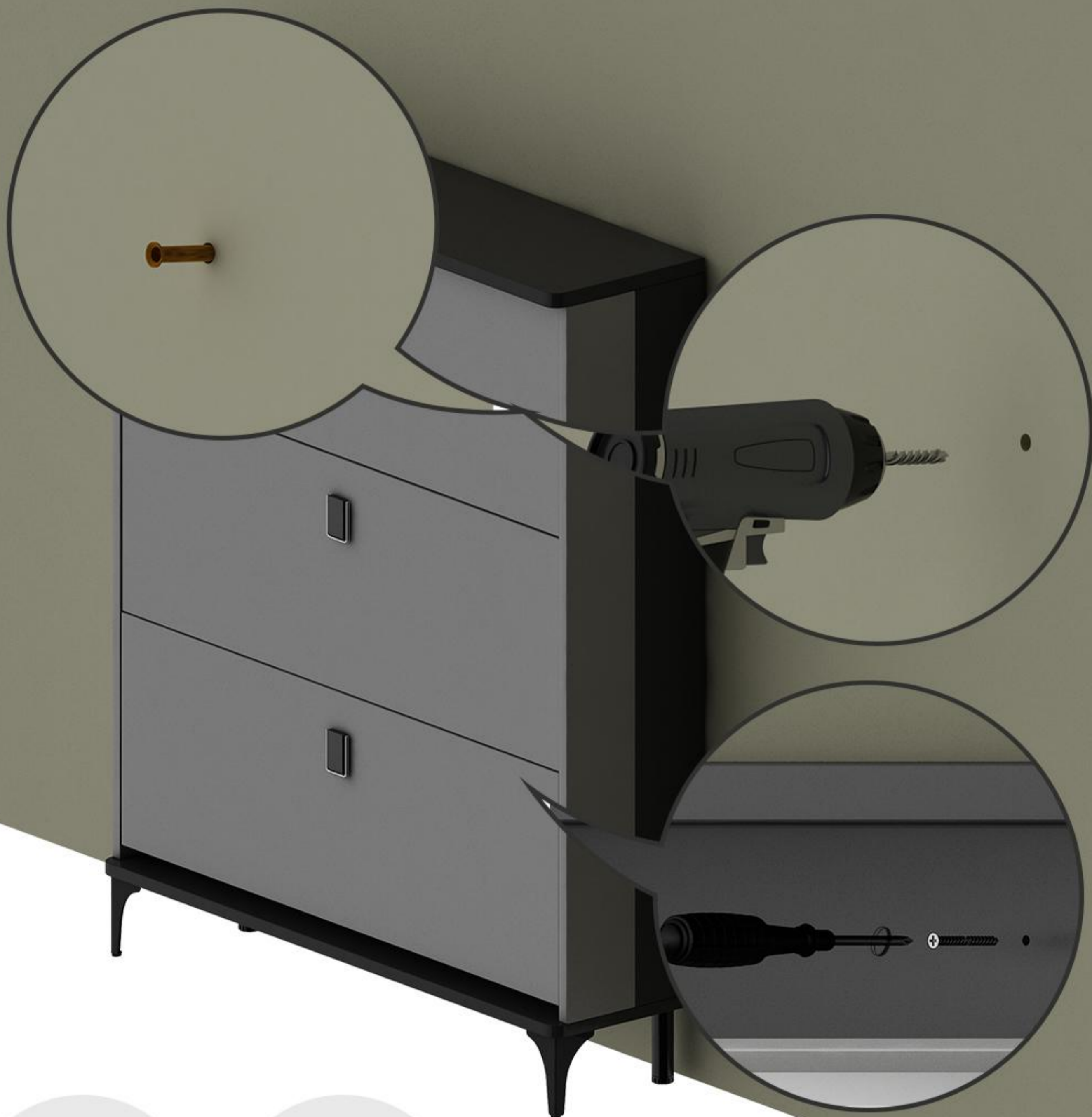
D1*8



A1*8

21

If needed, the shoe cabinet can be fixed to the wall. First, mark the positions on the wall.



W9



B13

22

