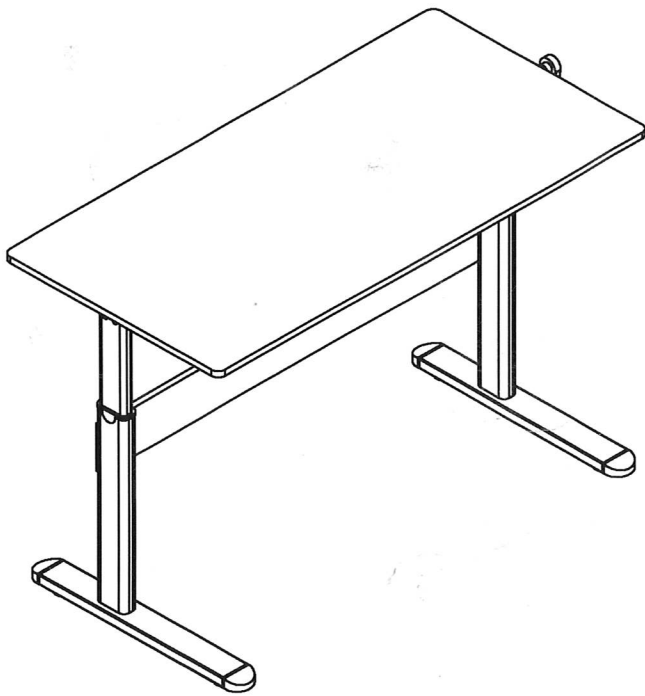


DNZ0243K01



PART LIST

M3



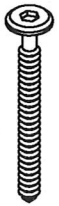
2.5cm
x 9

M1



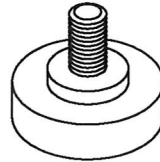
1.5cm
x 7

C18



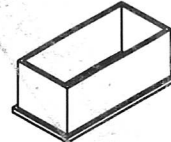
6cm
x 5

T



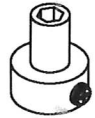
x 4

Q24



x 4

W68



x 2



x 1

Explosion
Diagram

