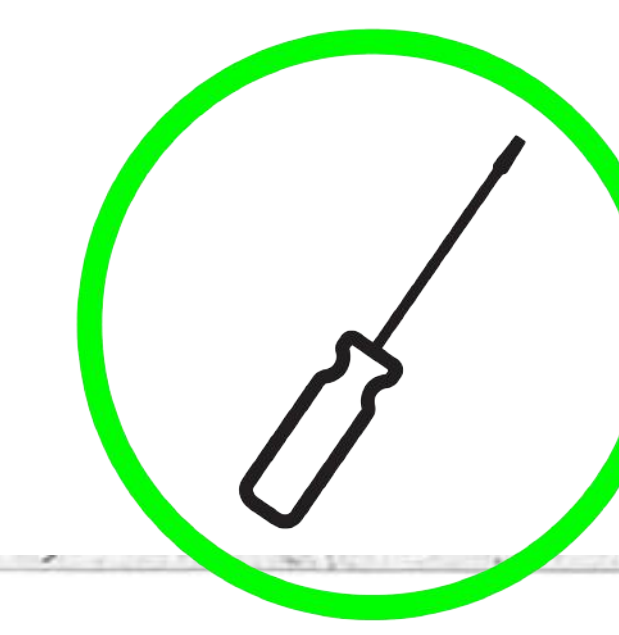
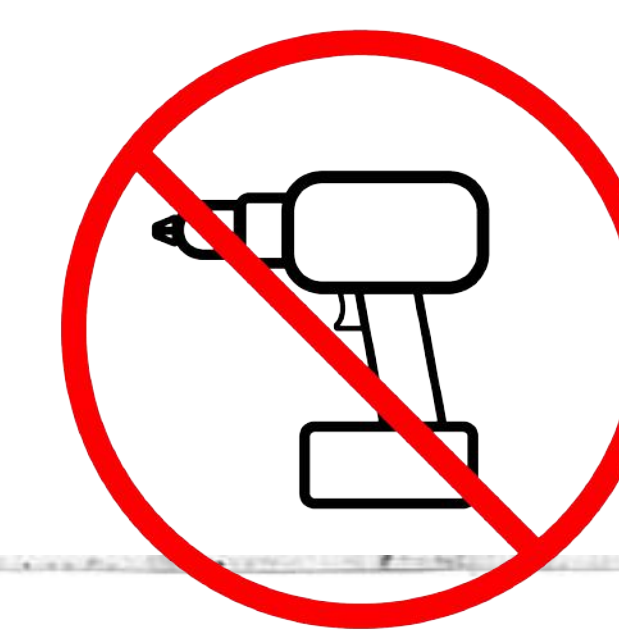
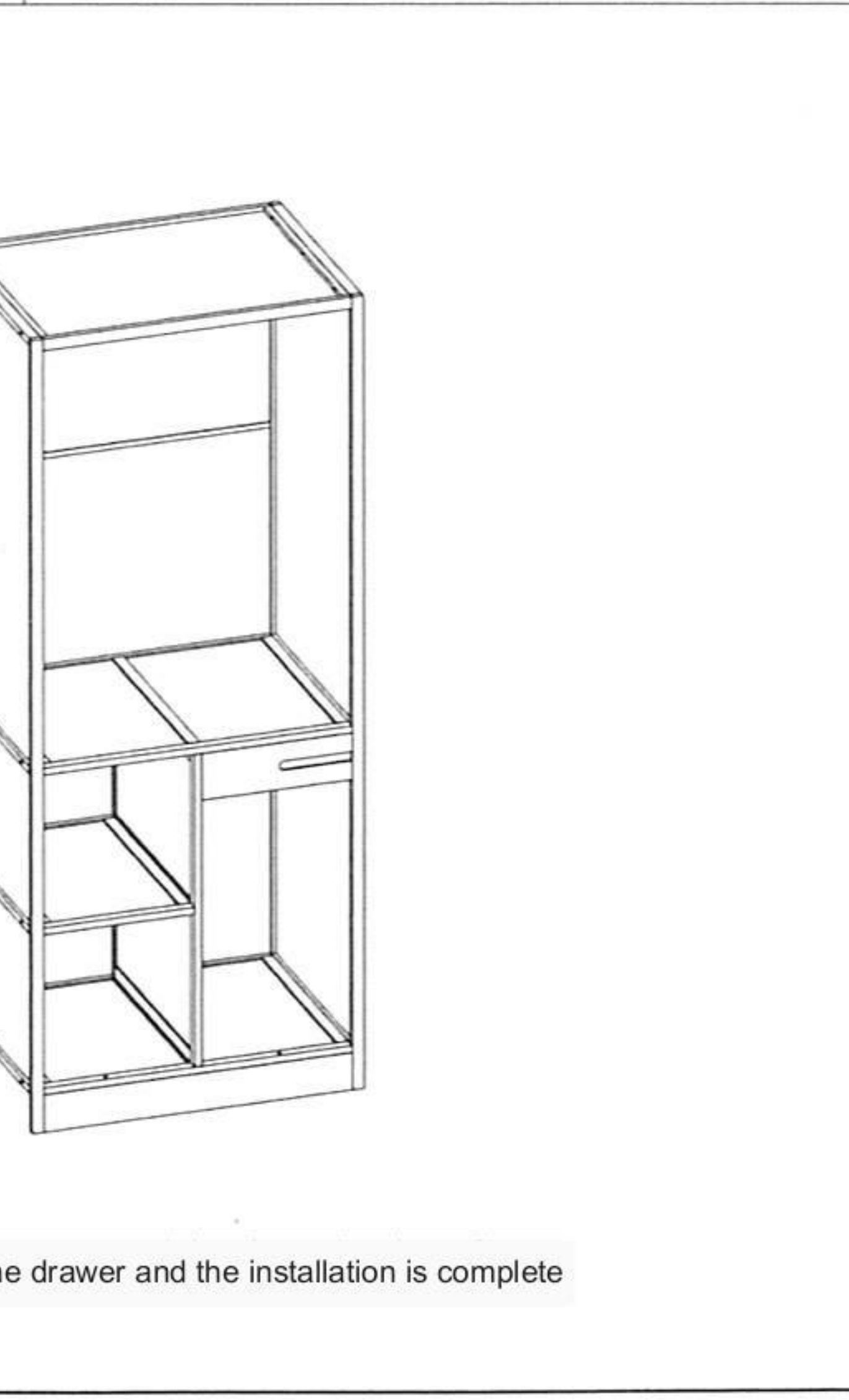
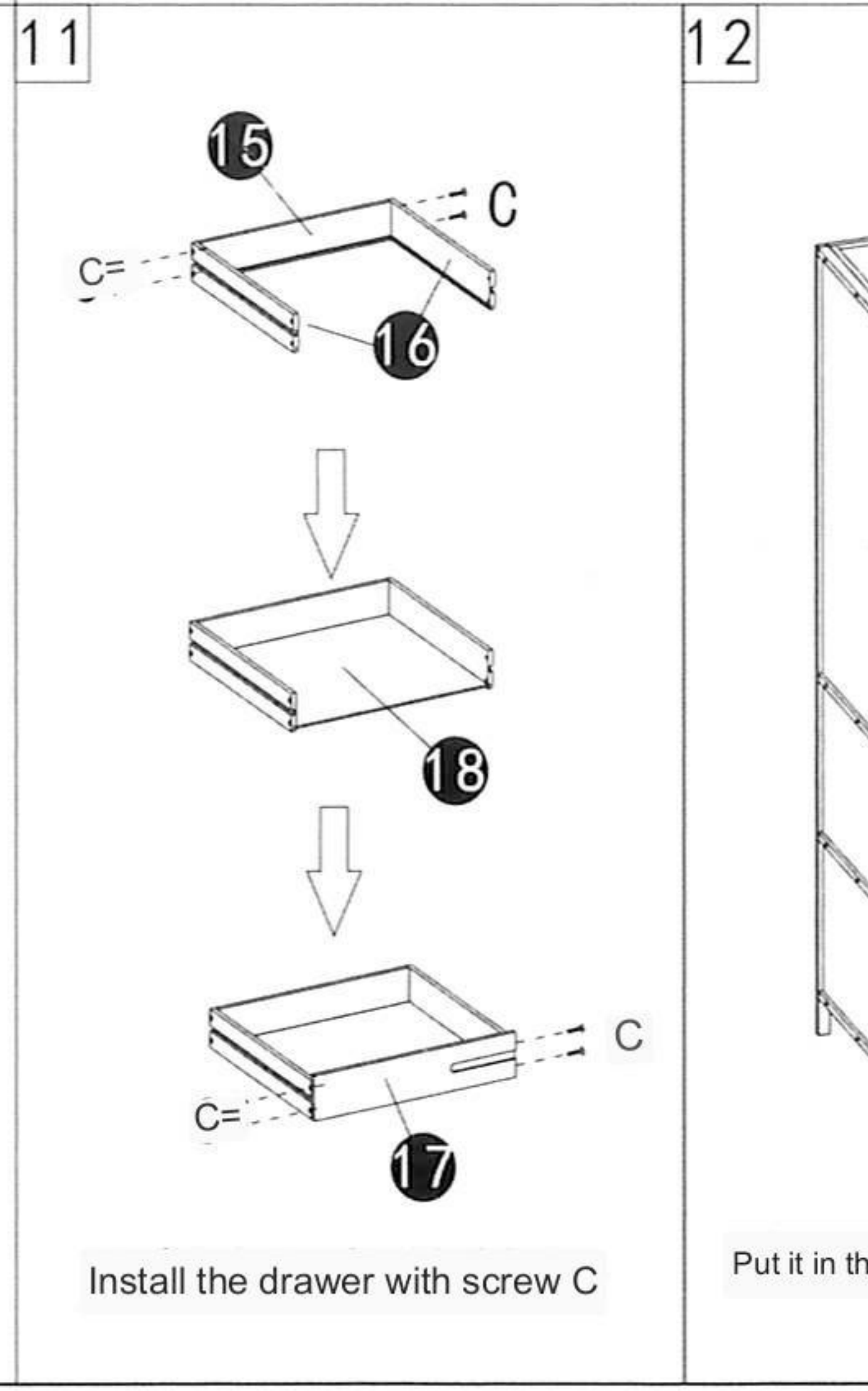
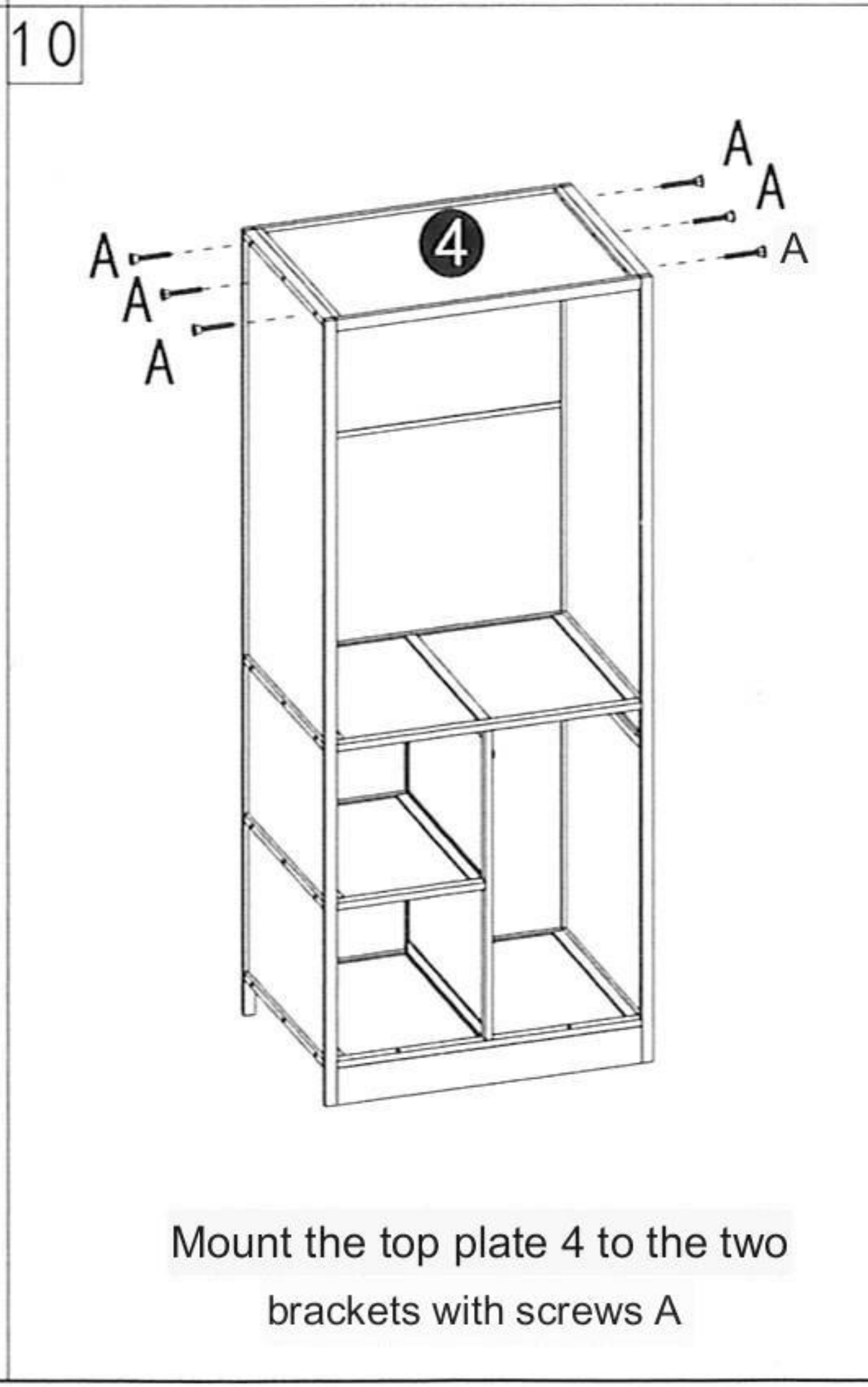
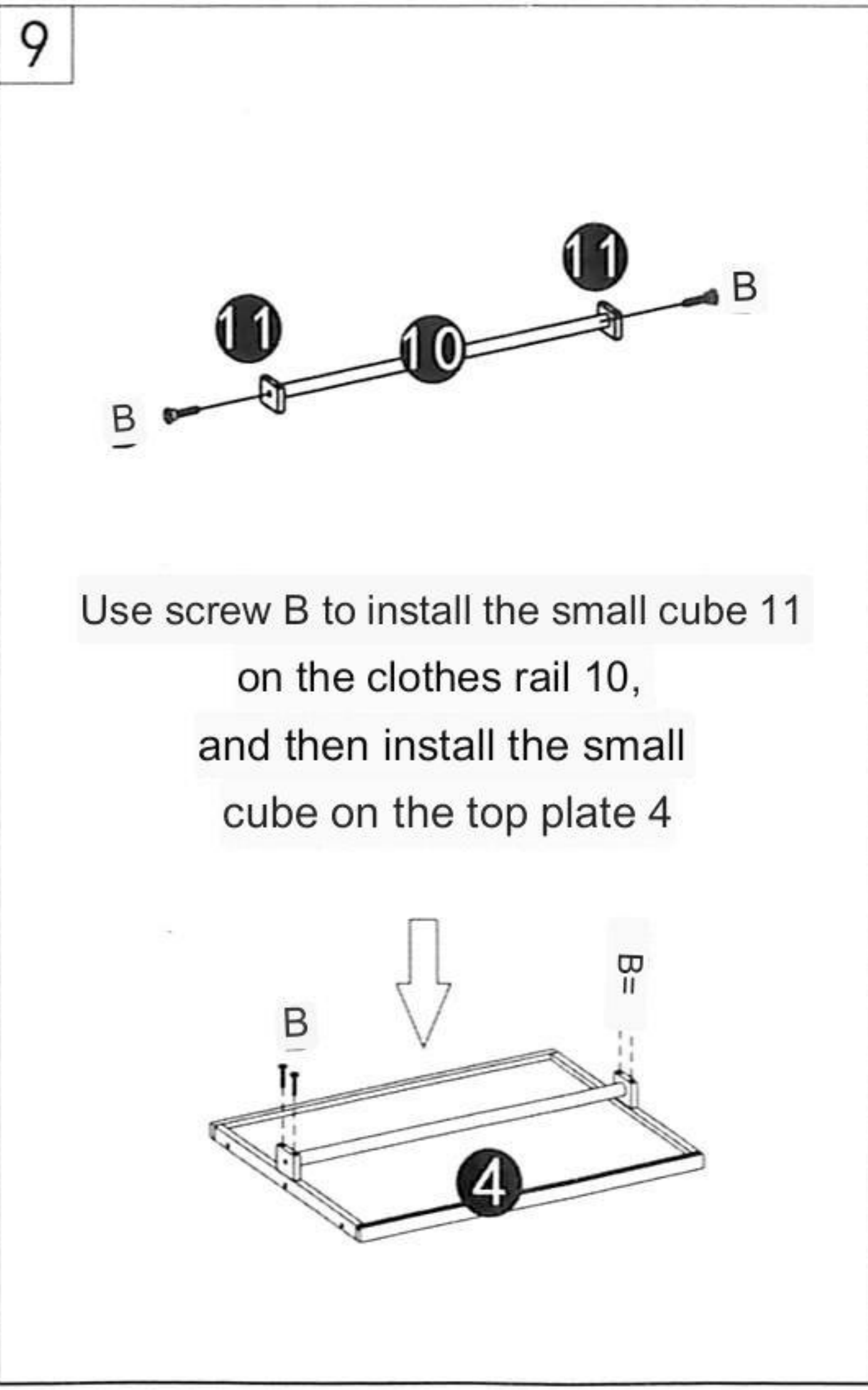
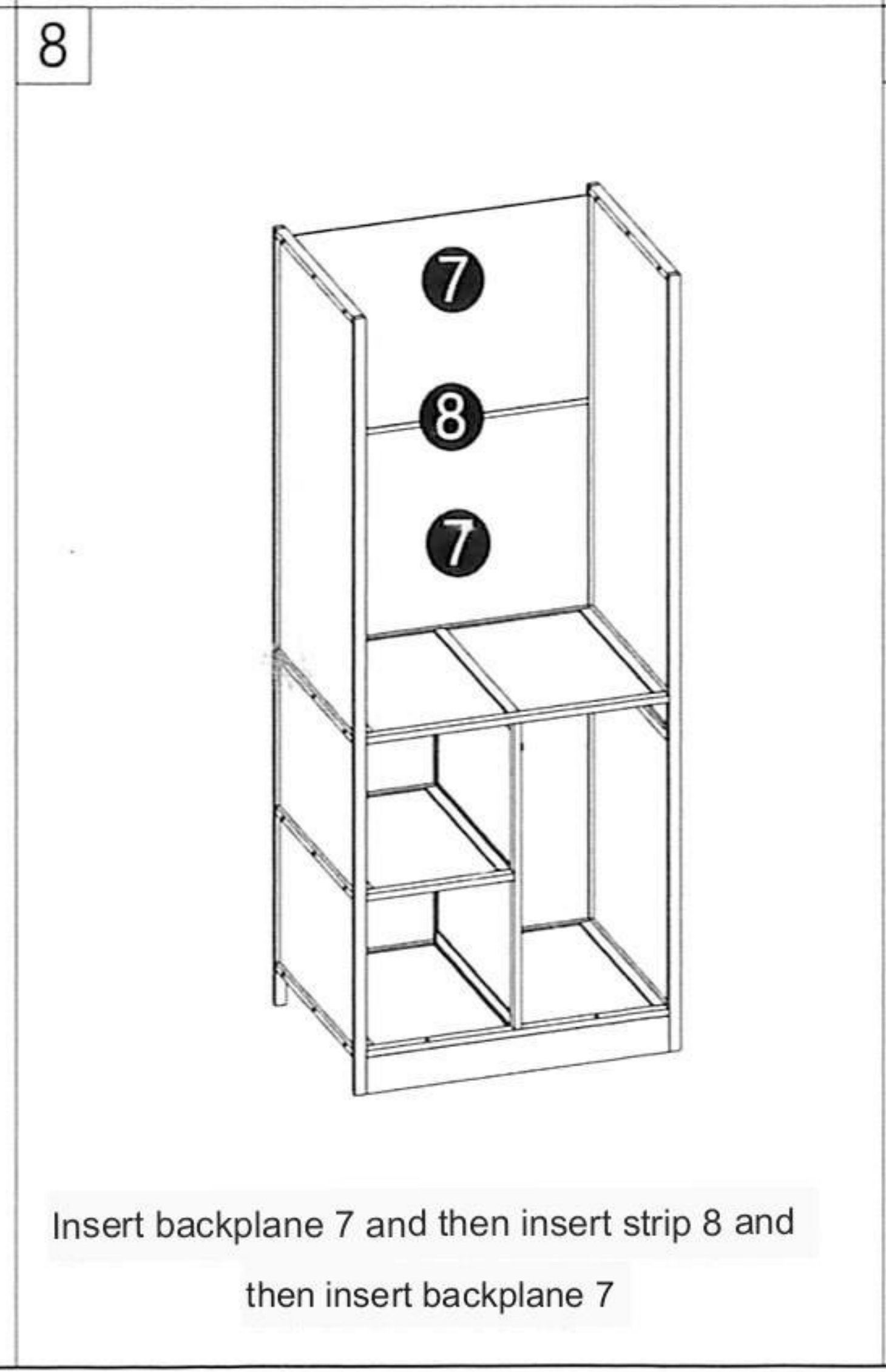
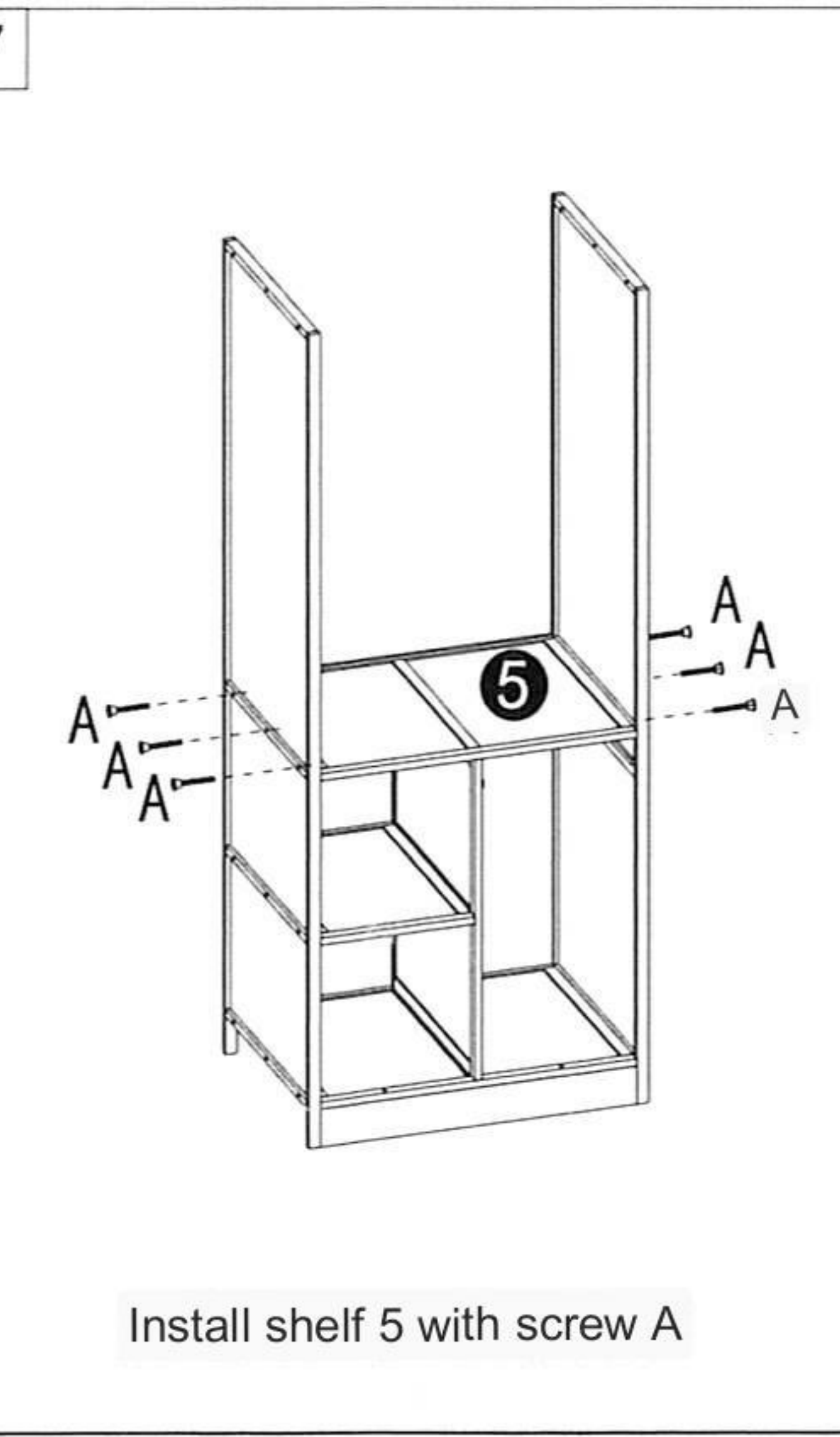
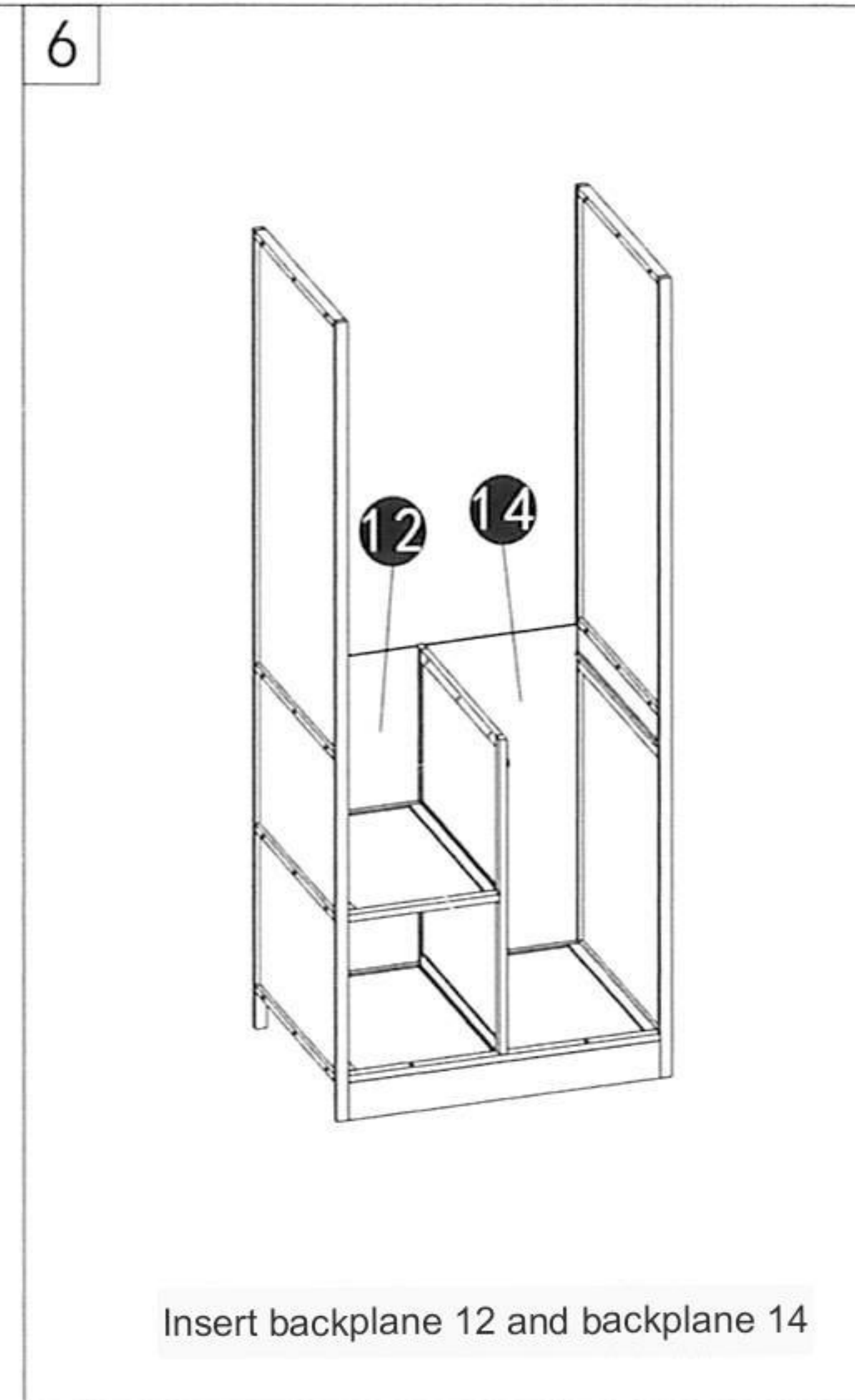
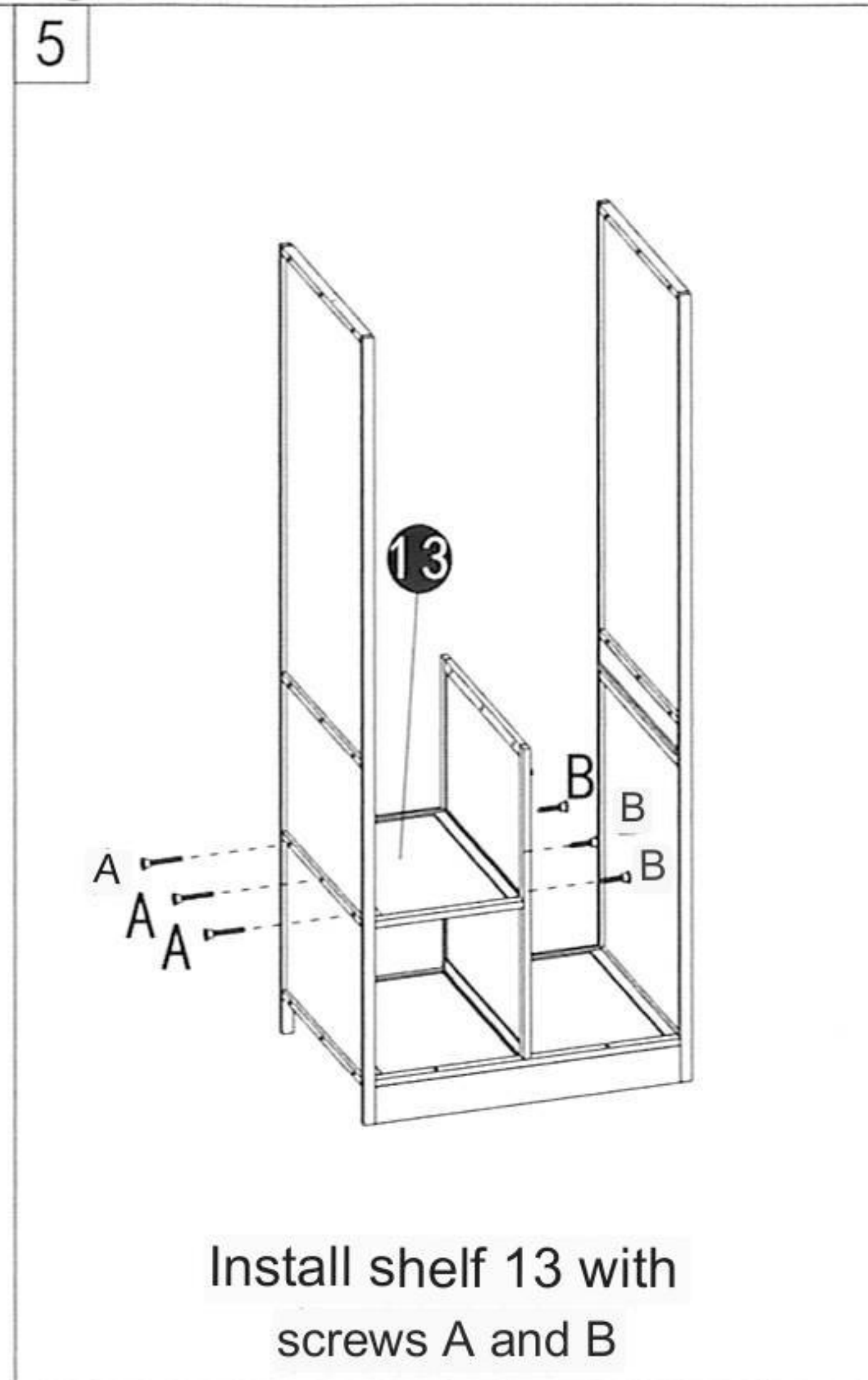
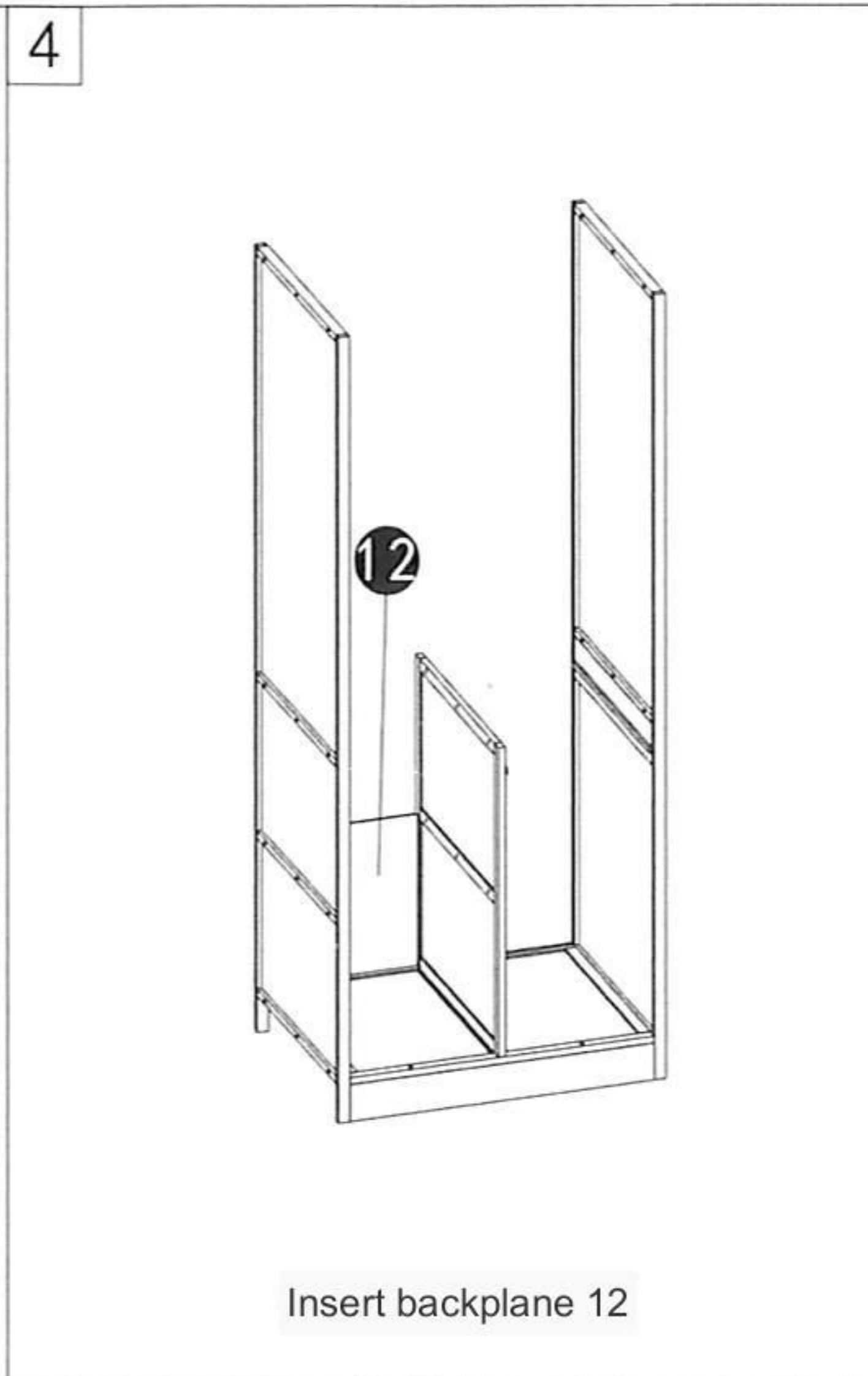
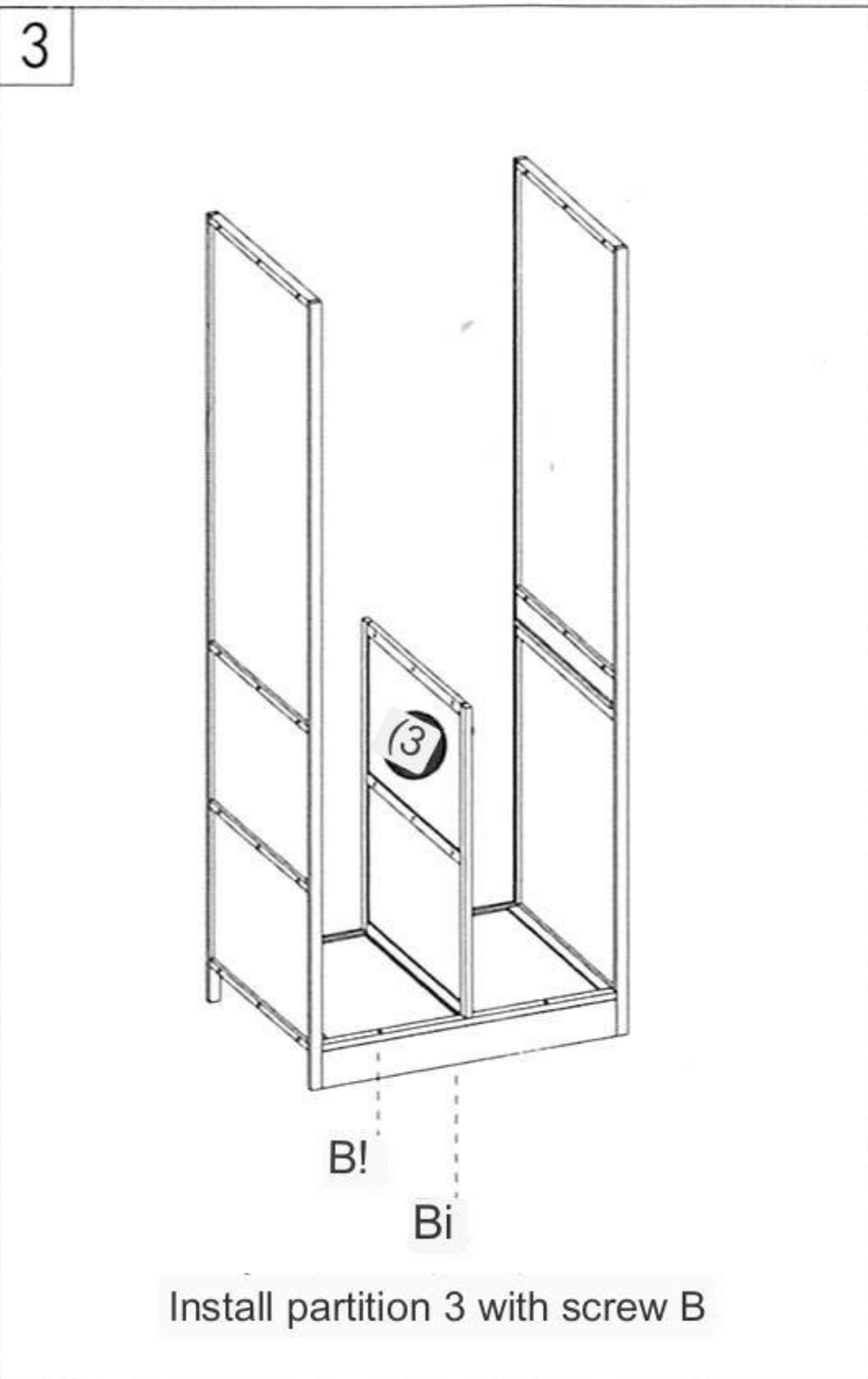
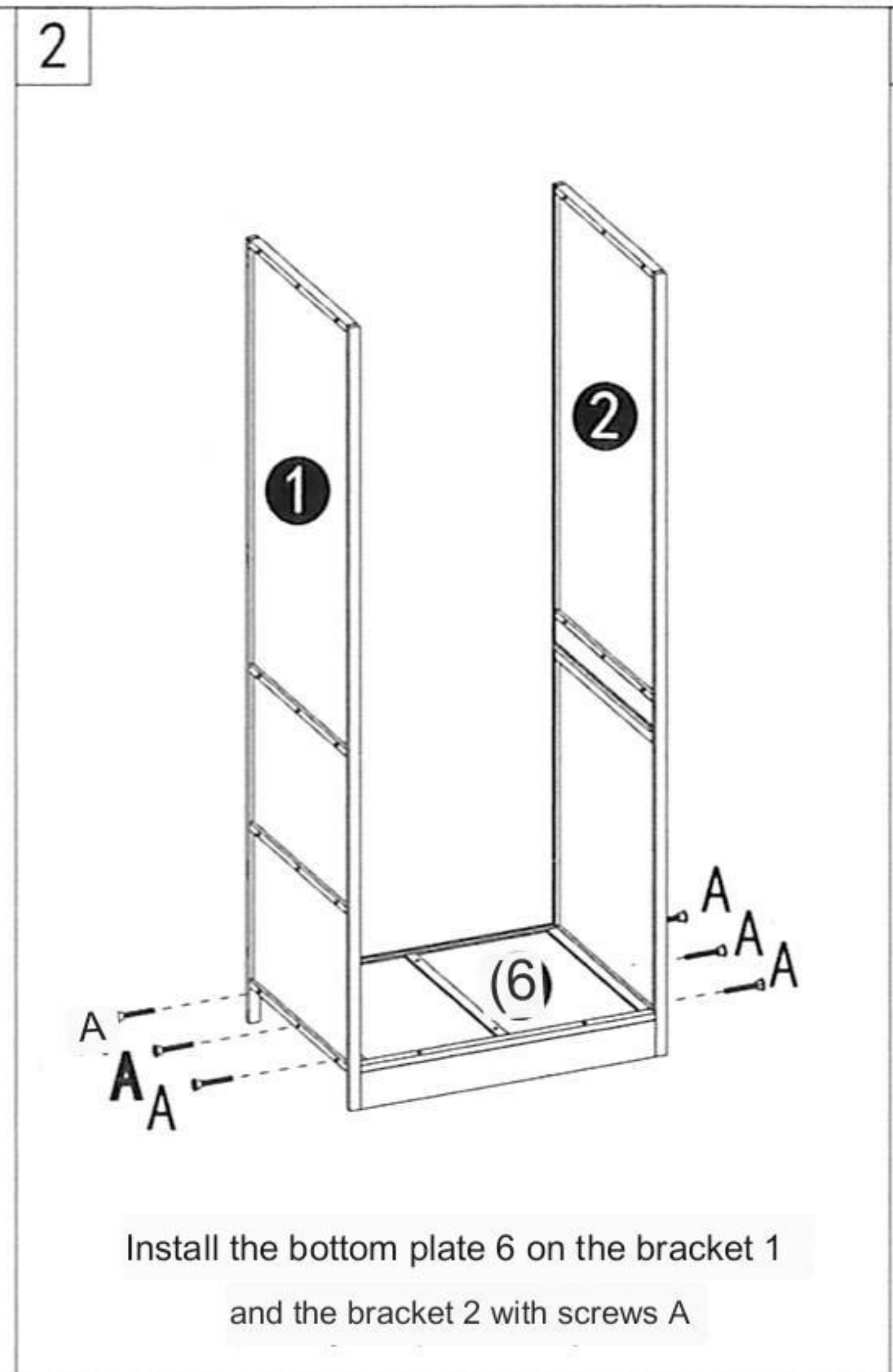
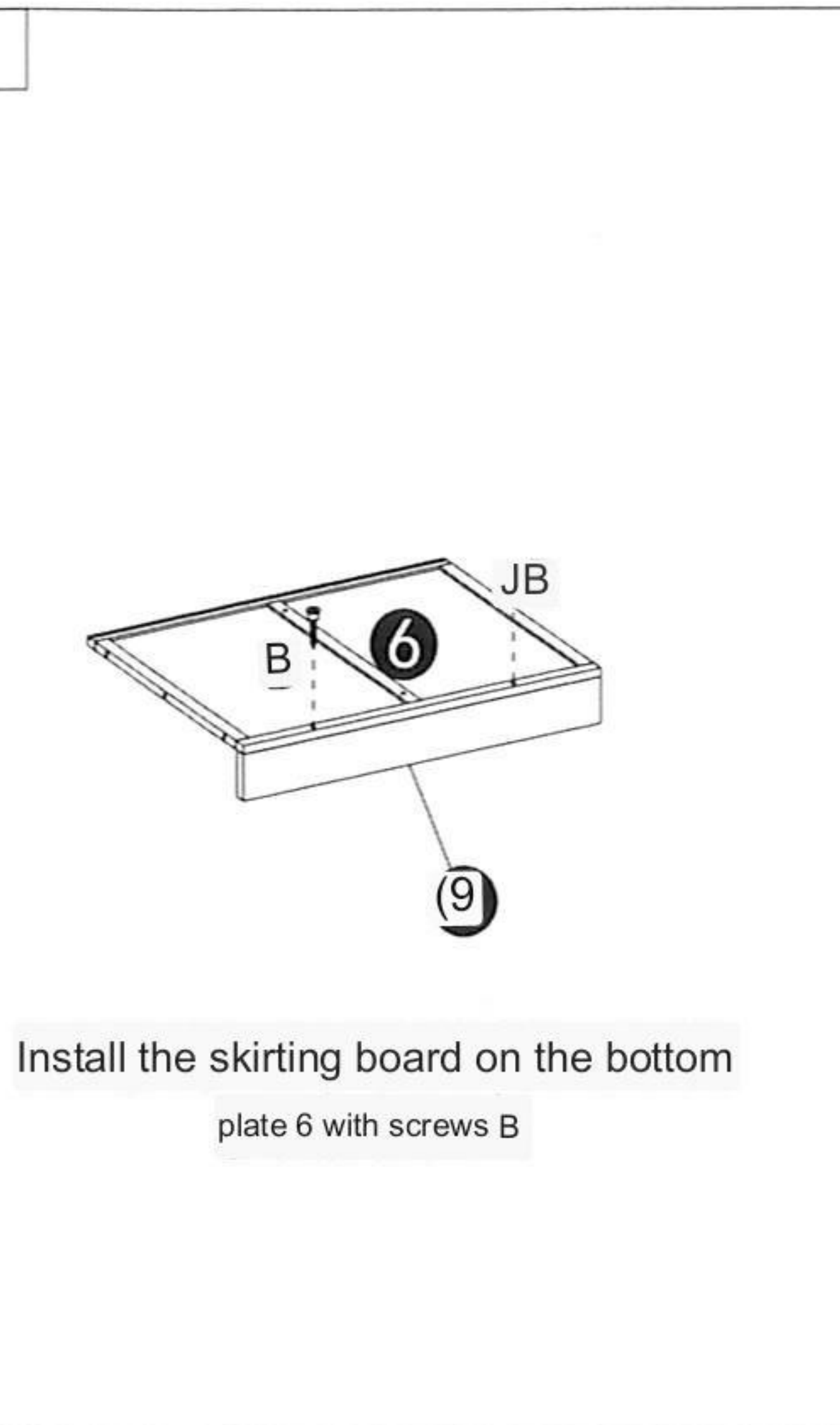
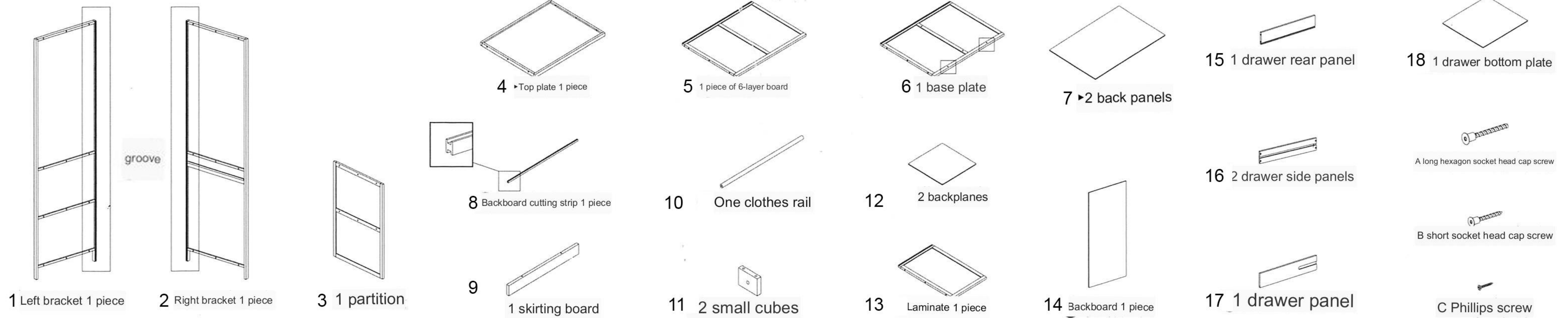


CC017-Small Installation Instruction

Please be sure to use a manual screwdriver and refrain from using an electric drill.



Small wardrobe with drawer - After opening the package, first classify the accessories according to the instructions, and then start the installation after sorting



Small wardrobe accessories list with drawers

Installation diagram of small wardrobe with drawer