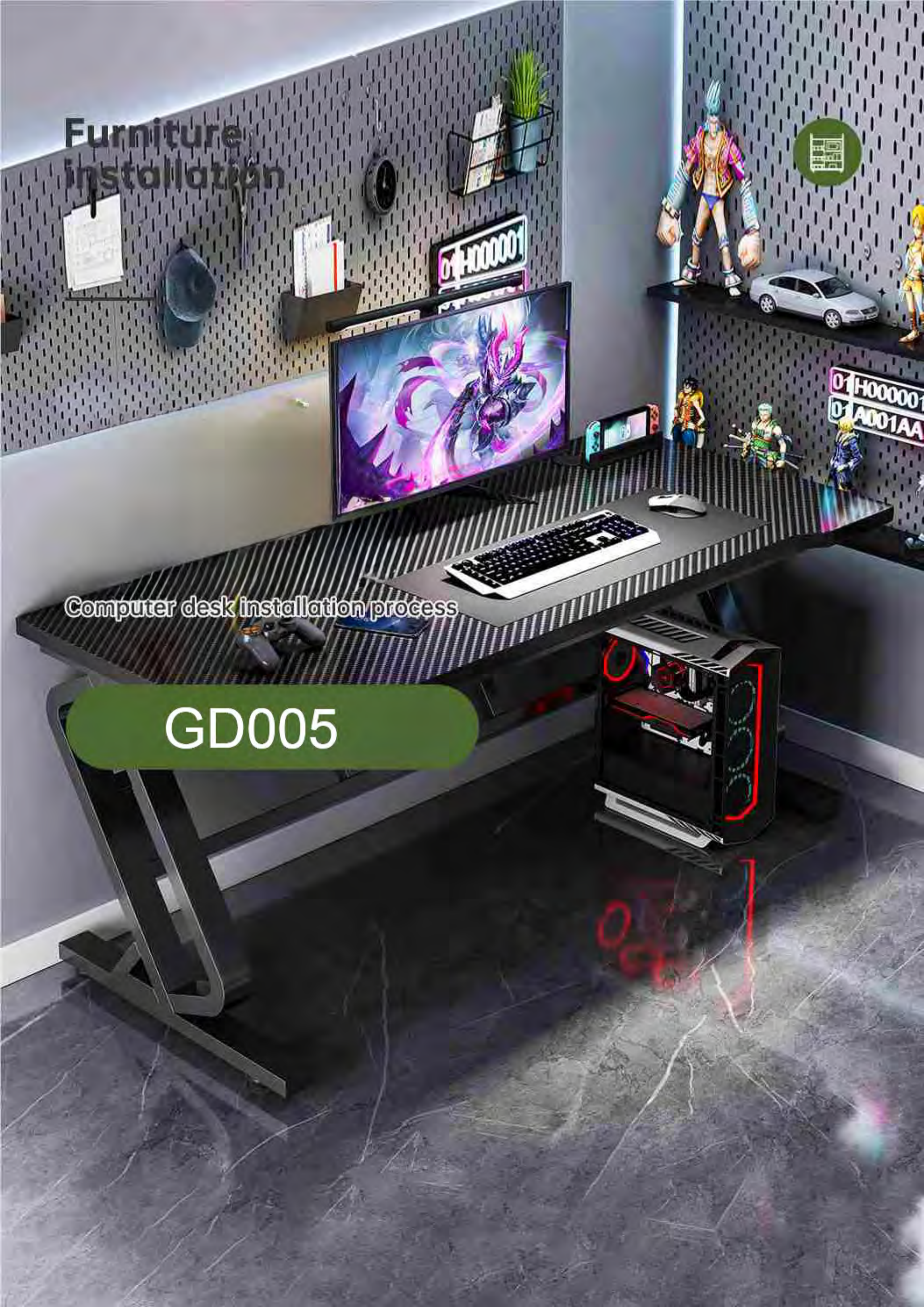


# Furniture Installation

Computer desk installation process

GD005





M3\*7



M11\*9



Flange Nut \*4



N12\*4



Q24\*4



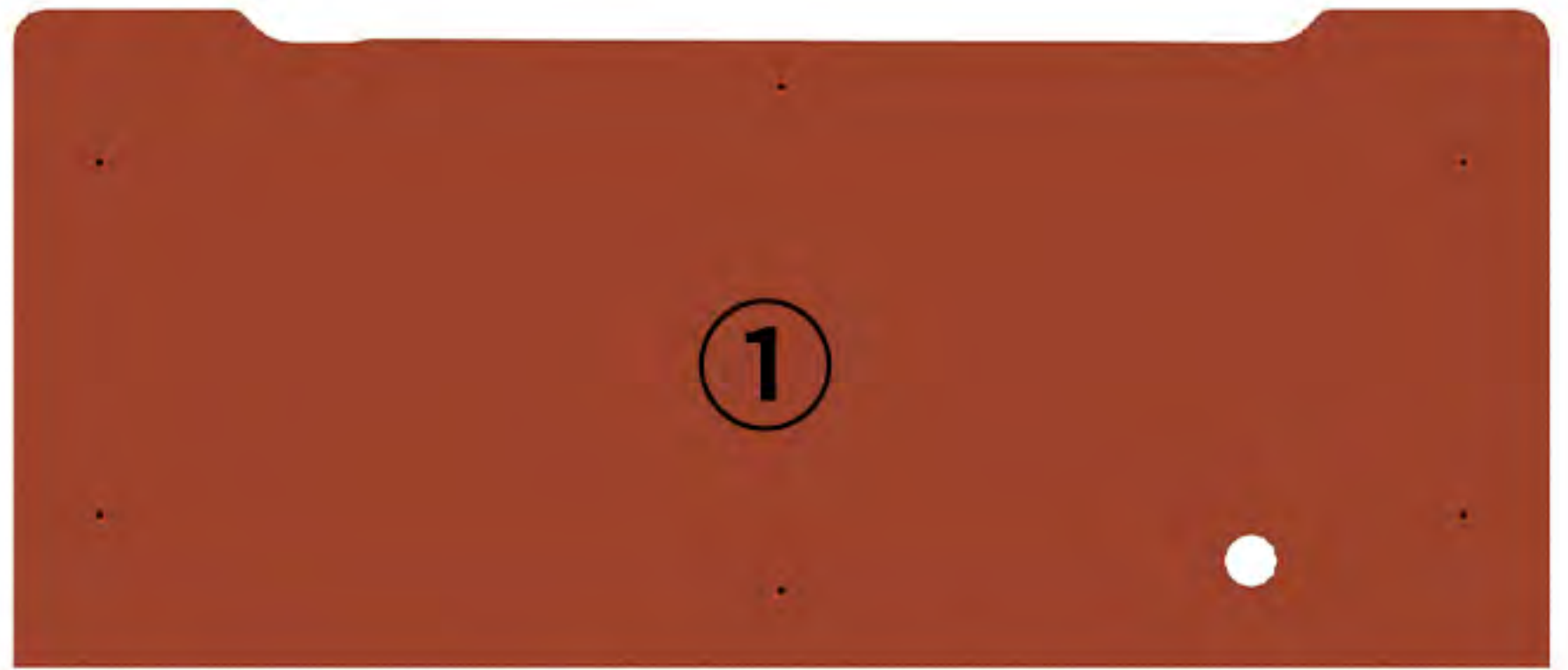
Junction Box



Hex Key



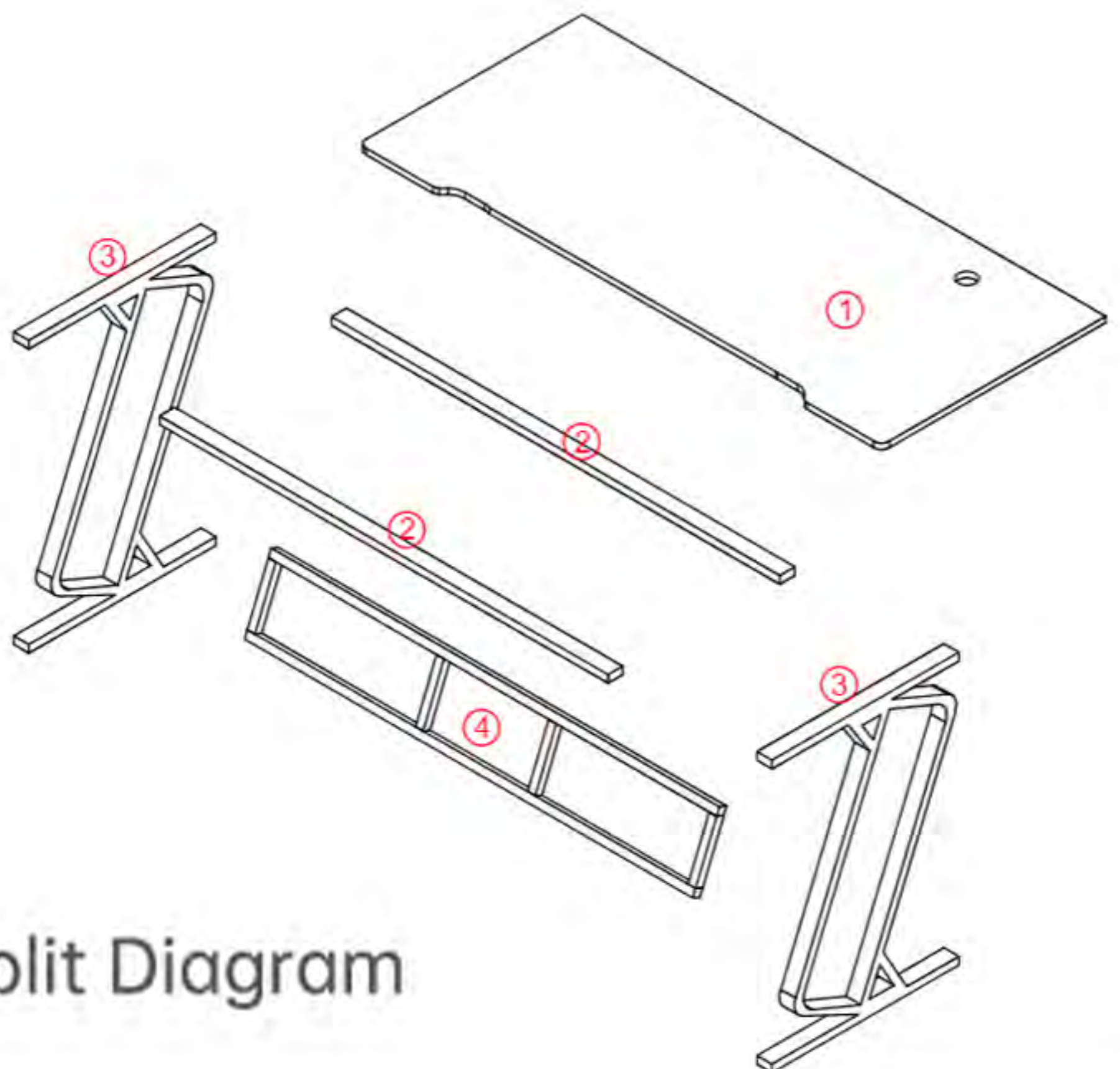
③\*2



②\*2

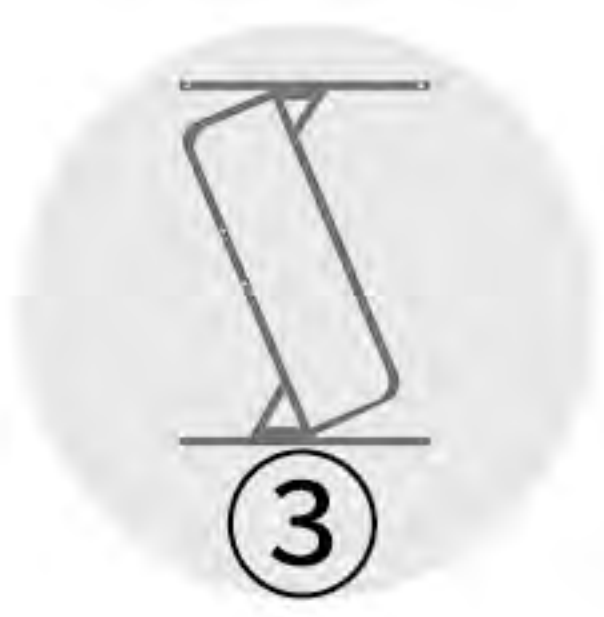
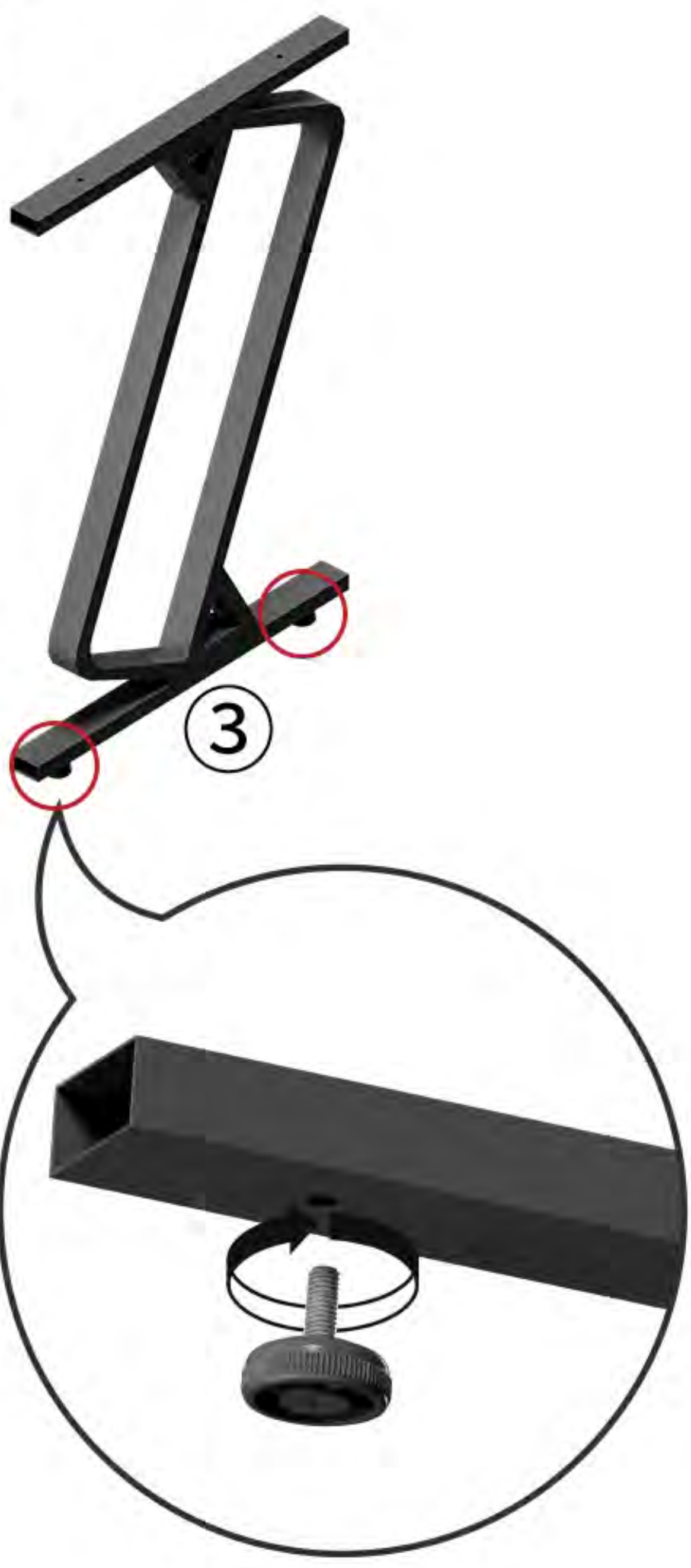


Presentation of finished product

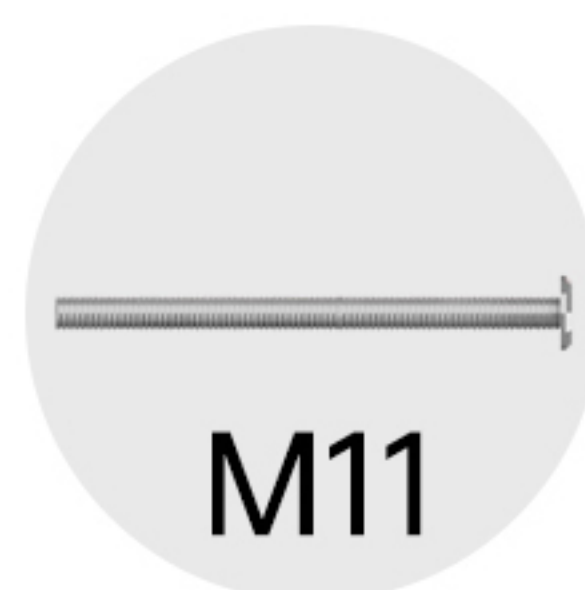
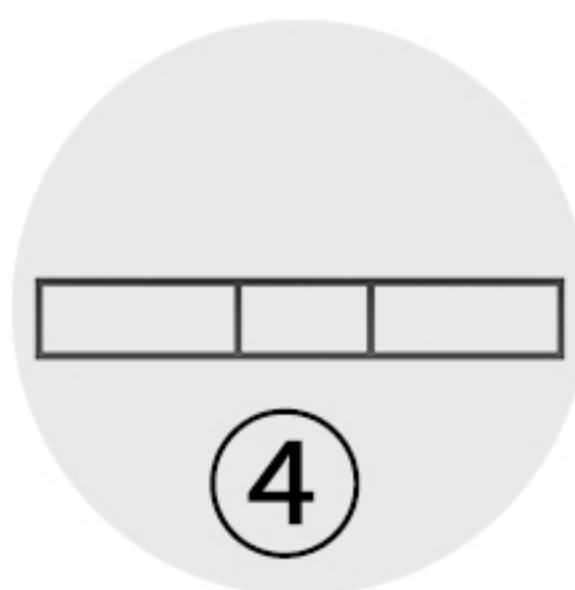
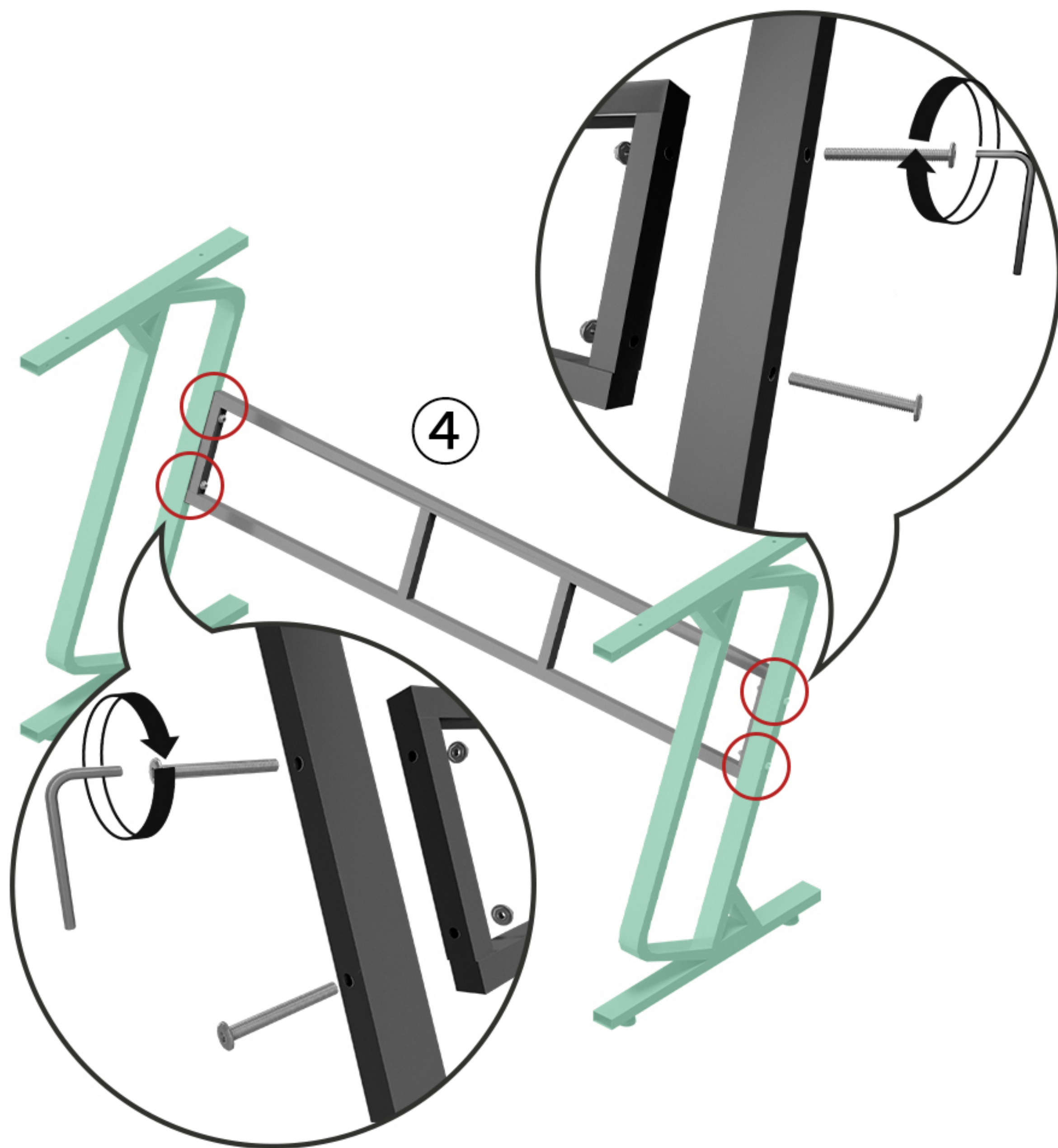


Product Split Diagram

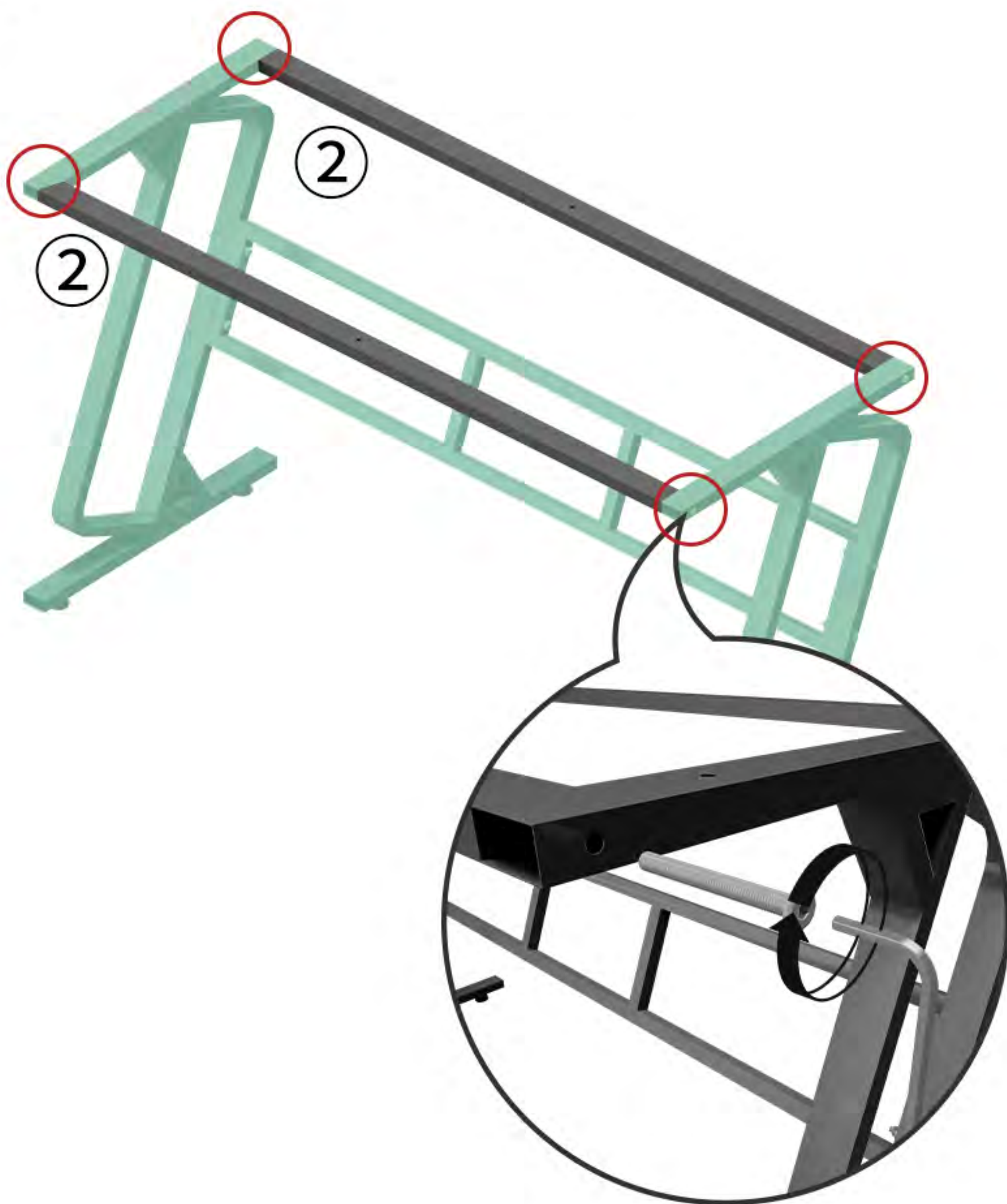
1



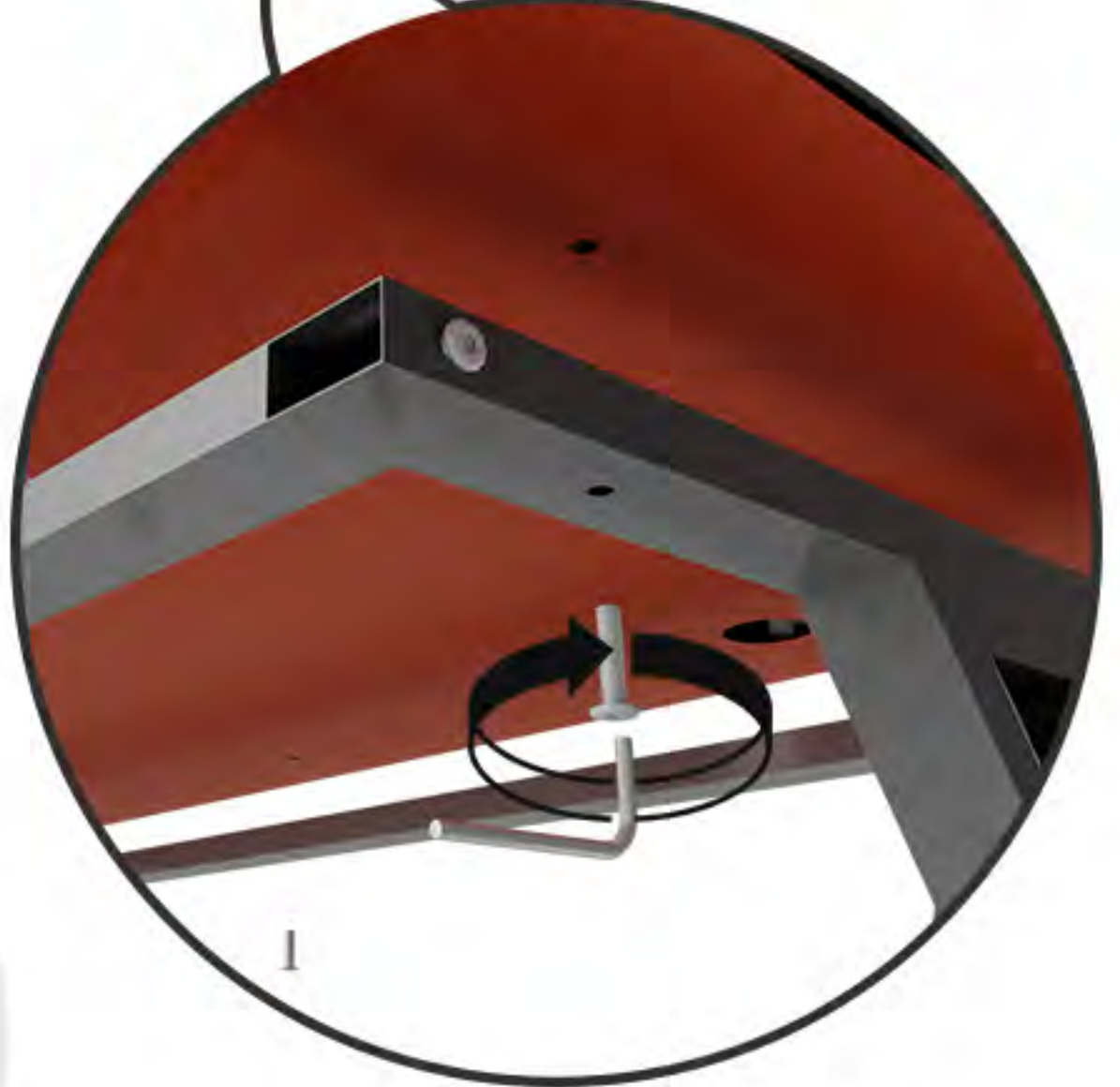
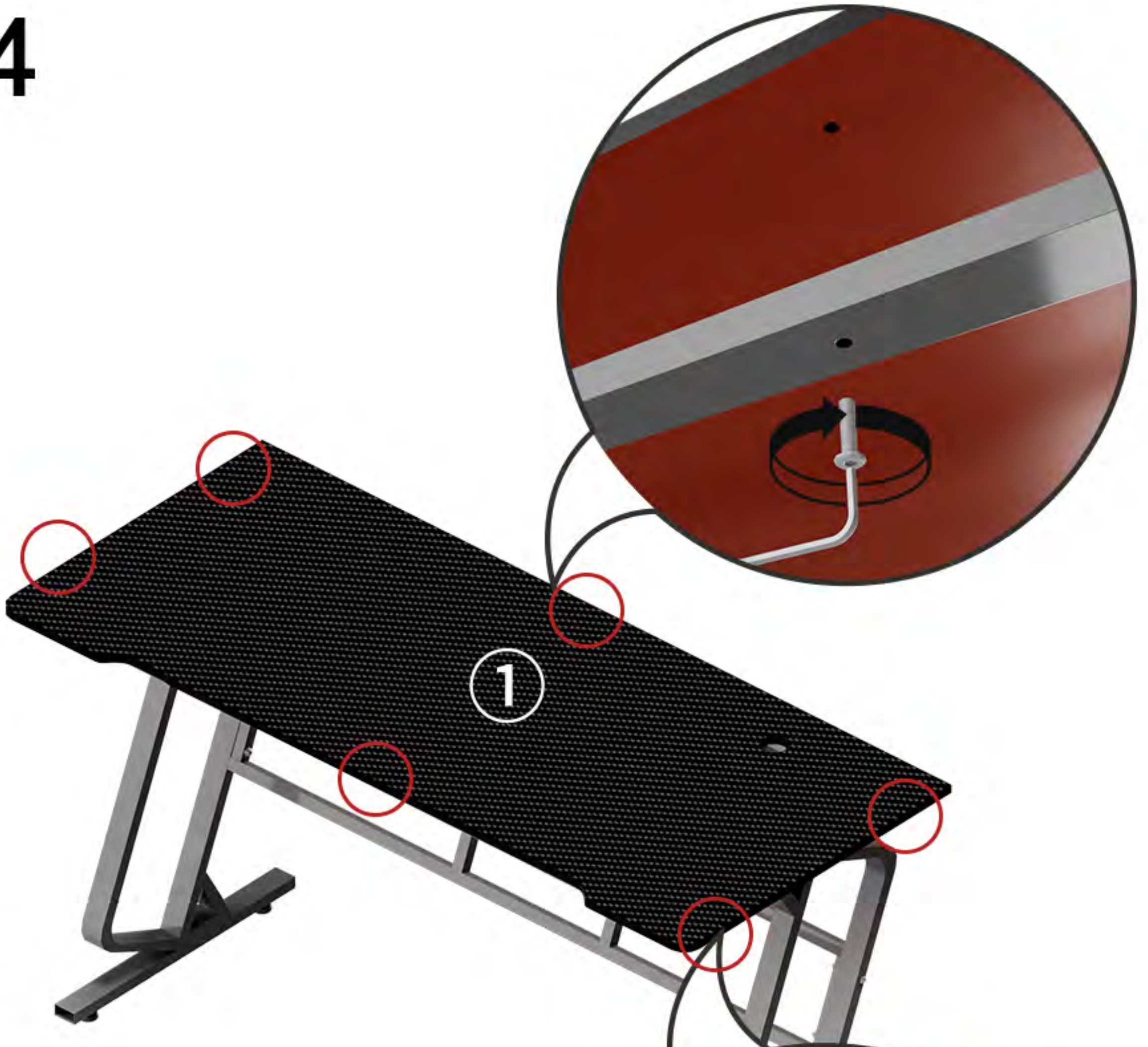
2



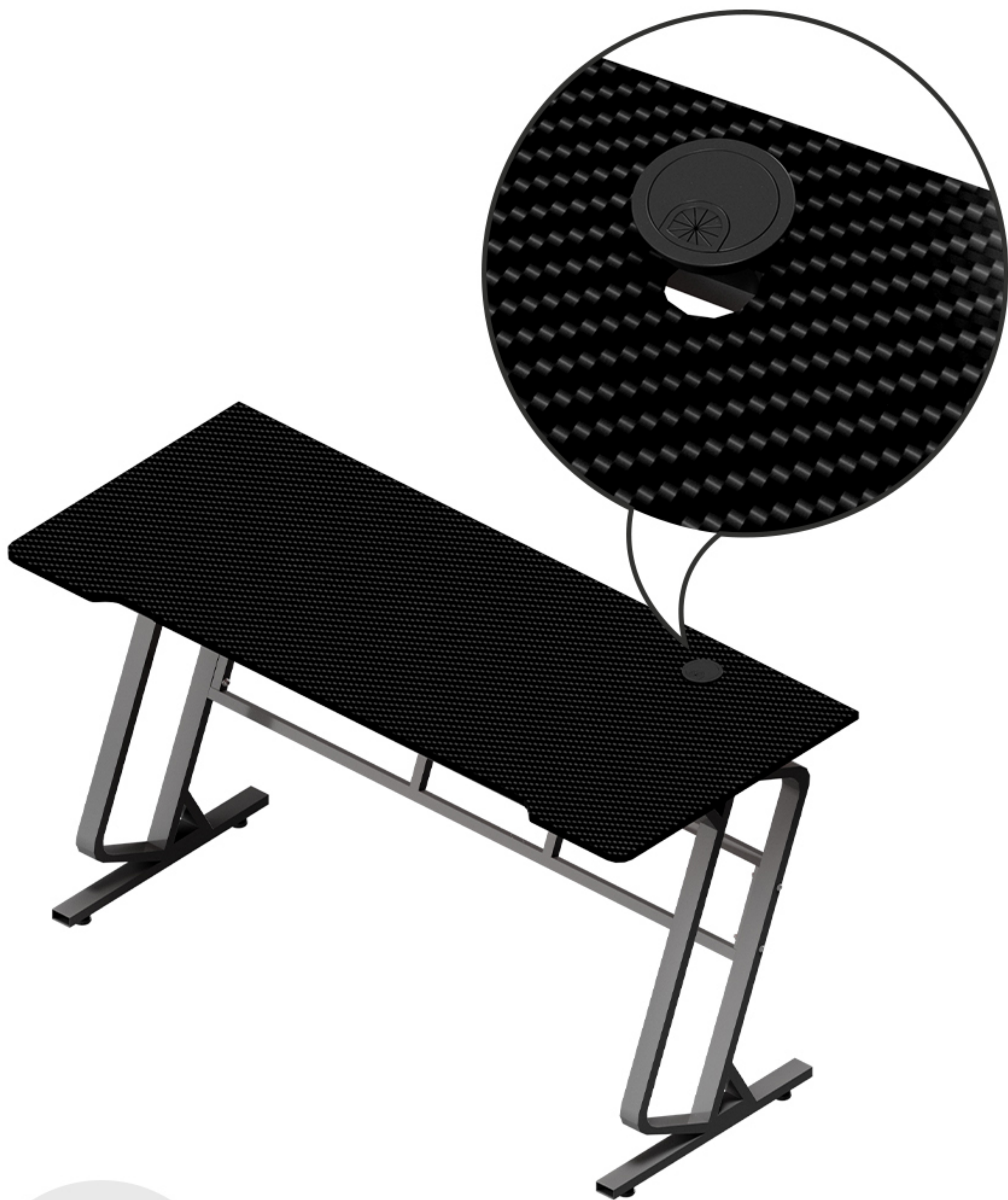
3



4



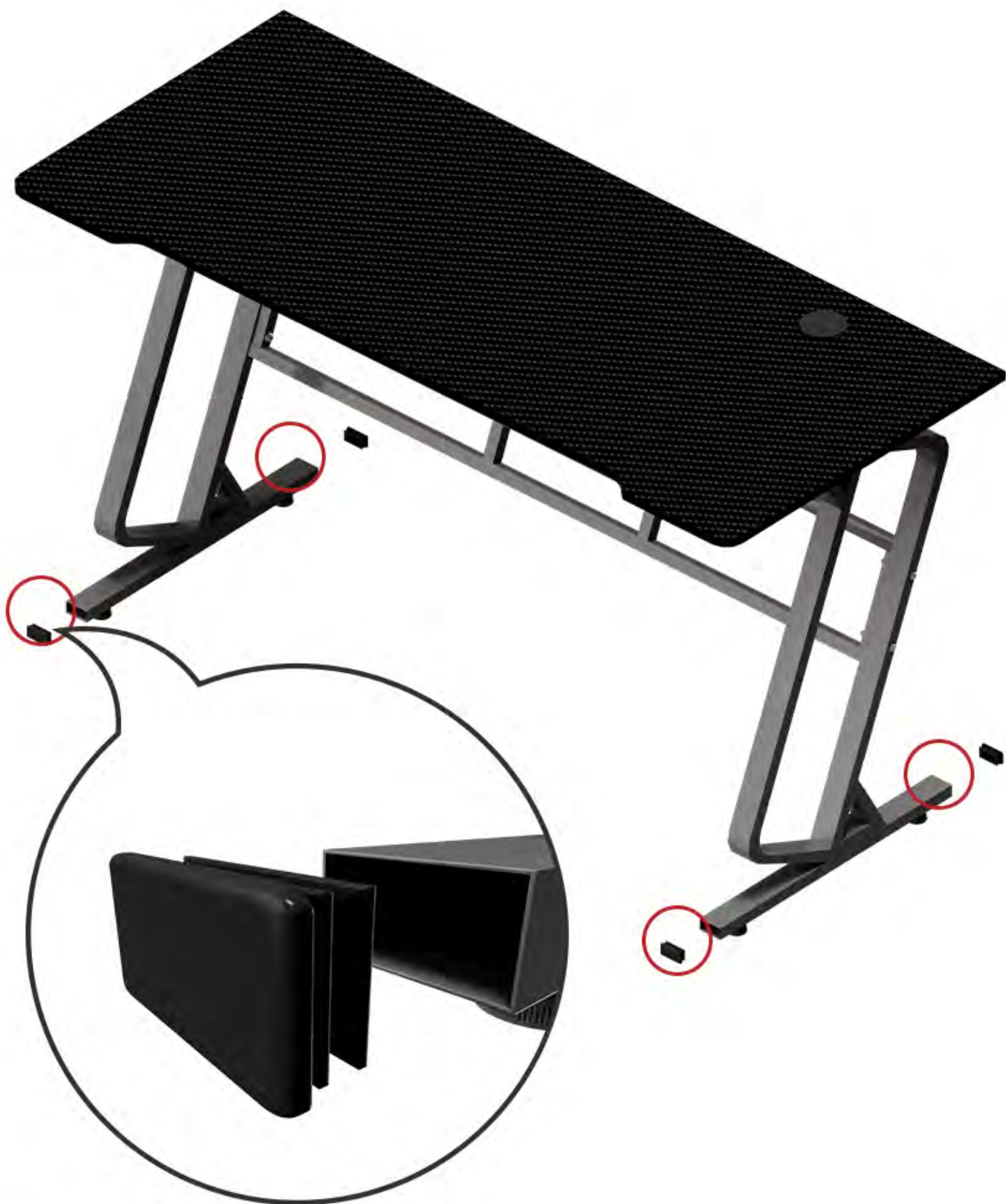
5



**Junction Box**



6



Q24

7

