

Furniture installation



Computer desk installation process

GD011





Hex Key



M3*5



M7*3



M11*9



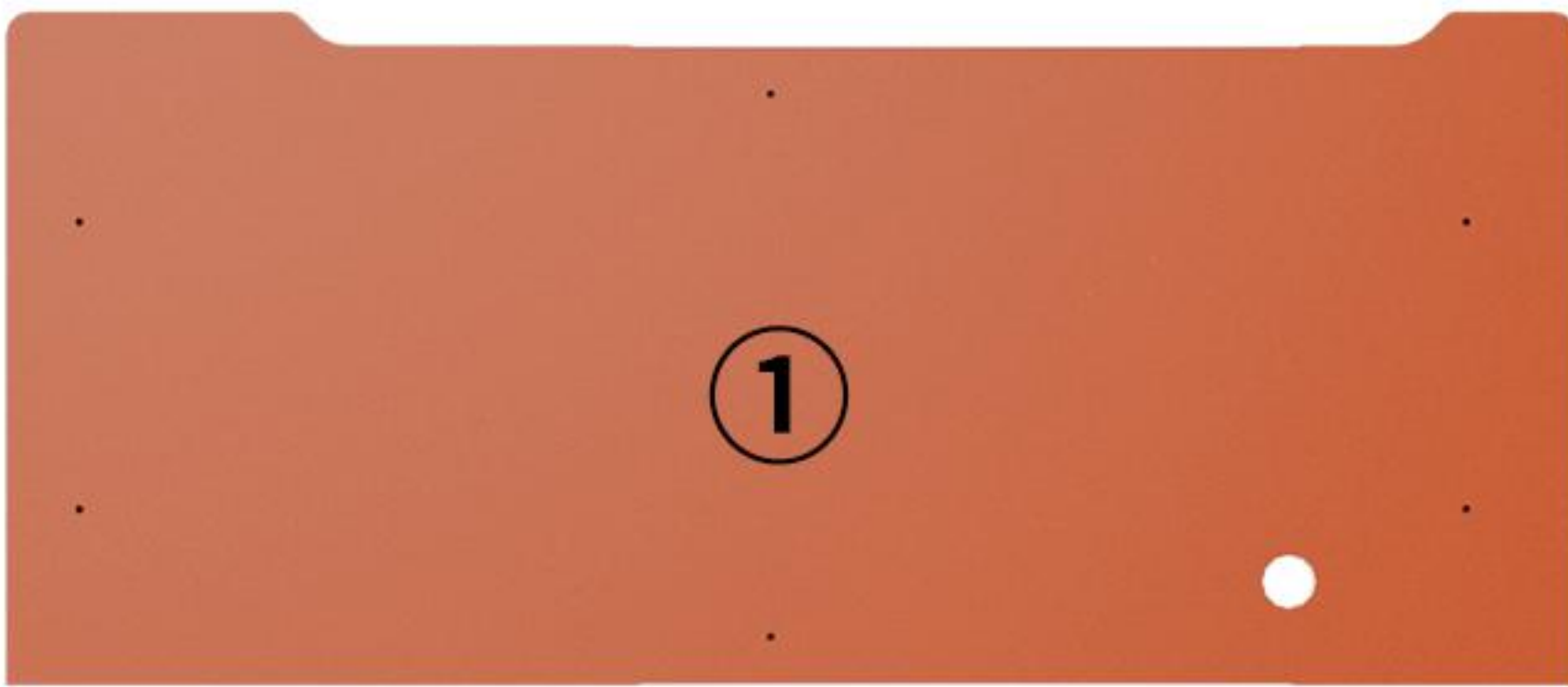
Nut *5



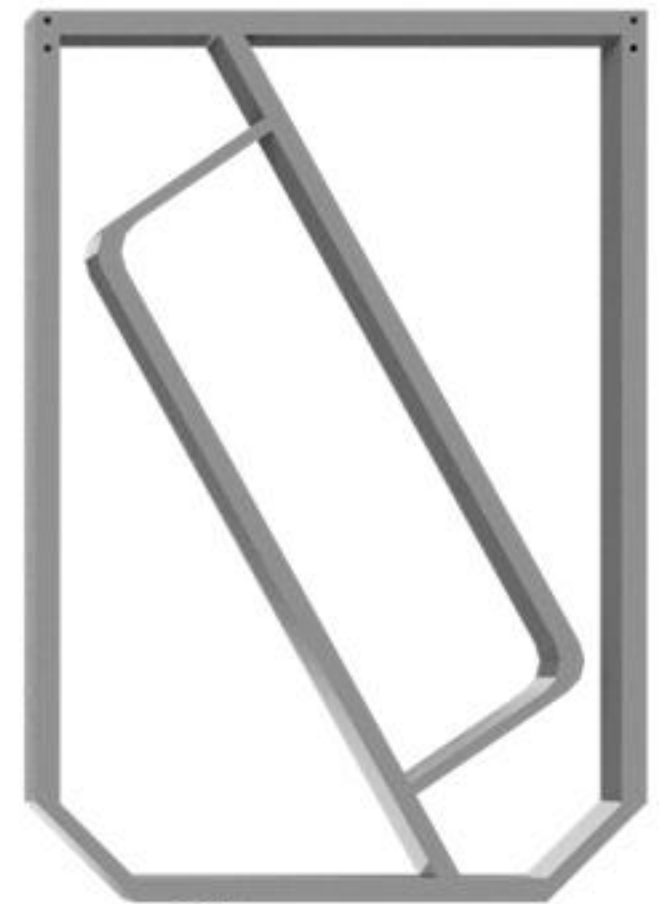
N12*4



Wire Junction Box



①



③*2



④

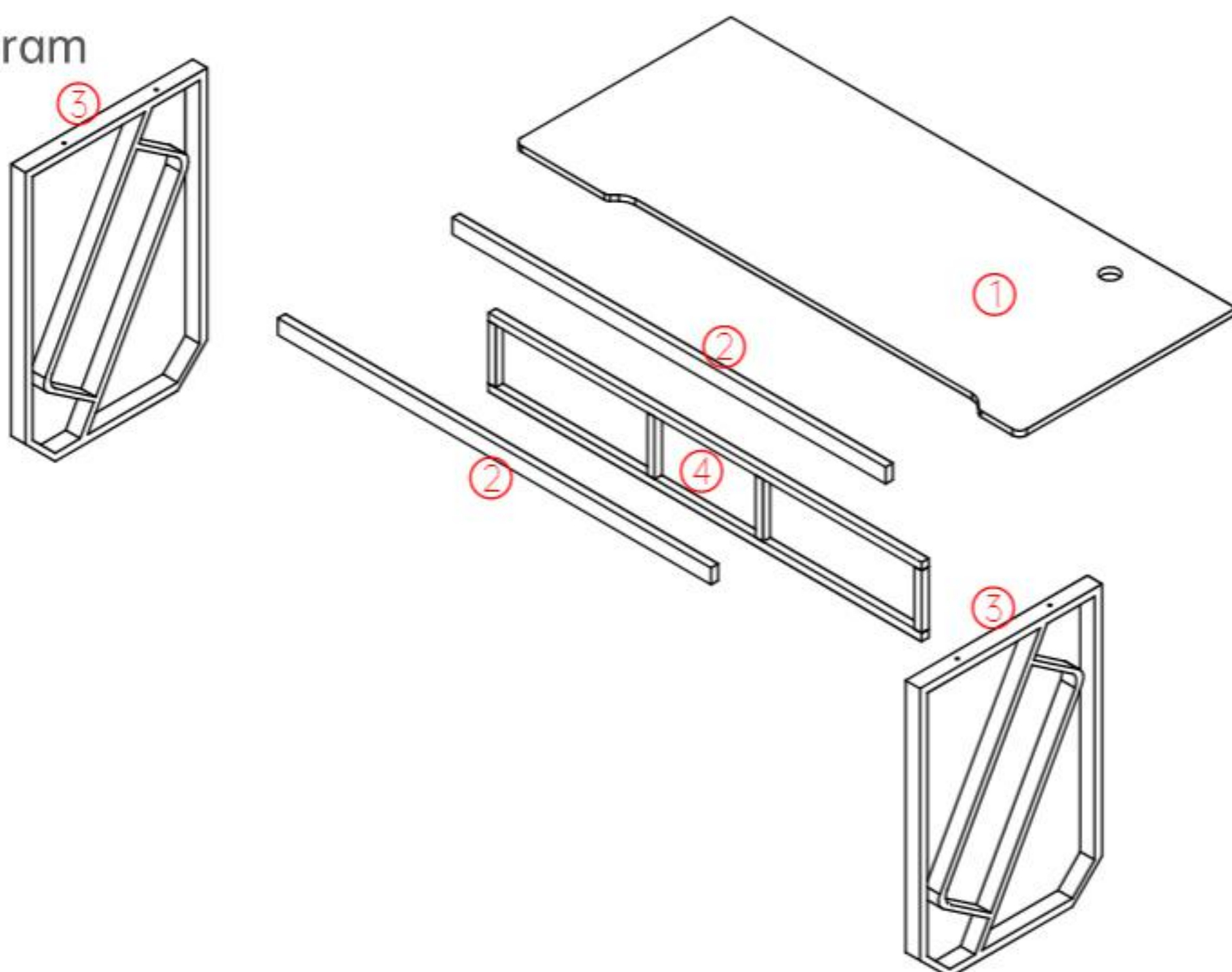


②*2

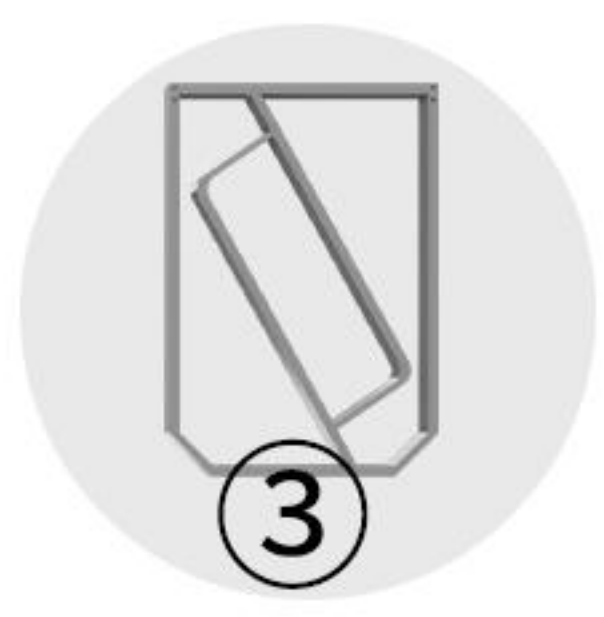
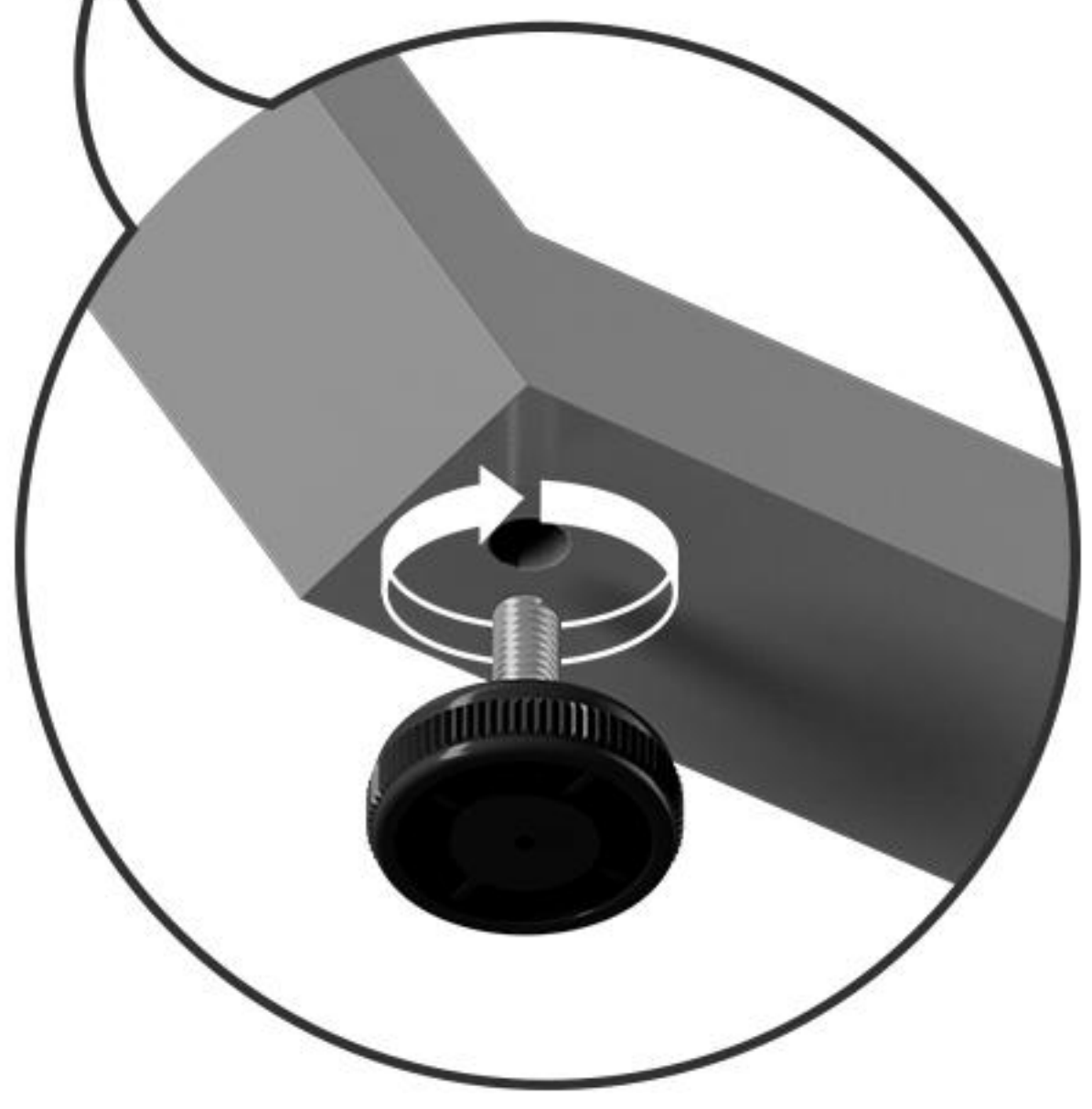
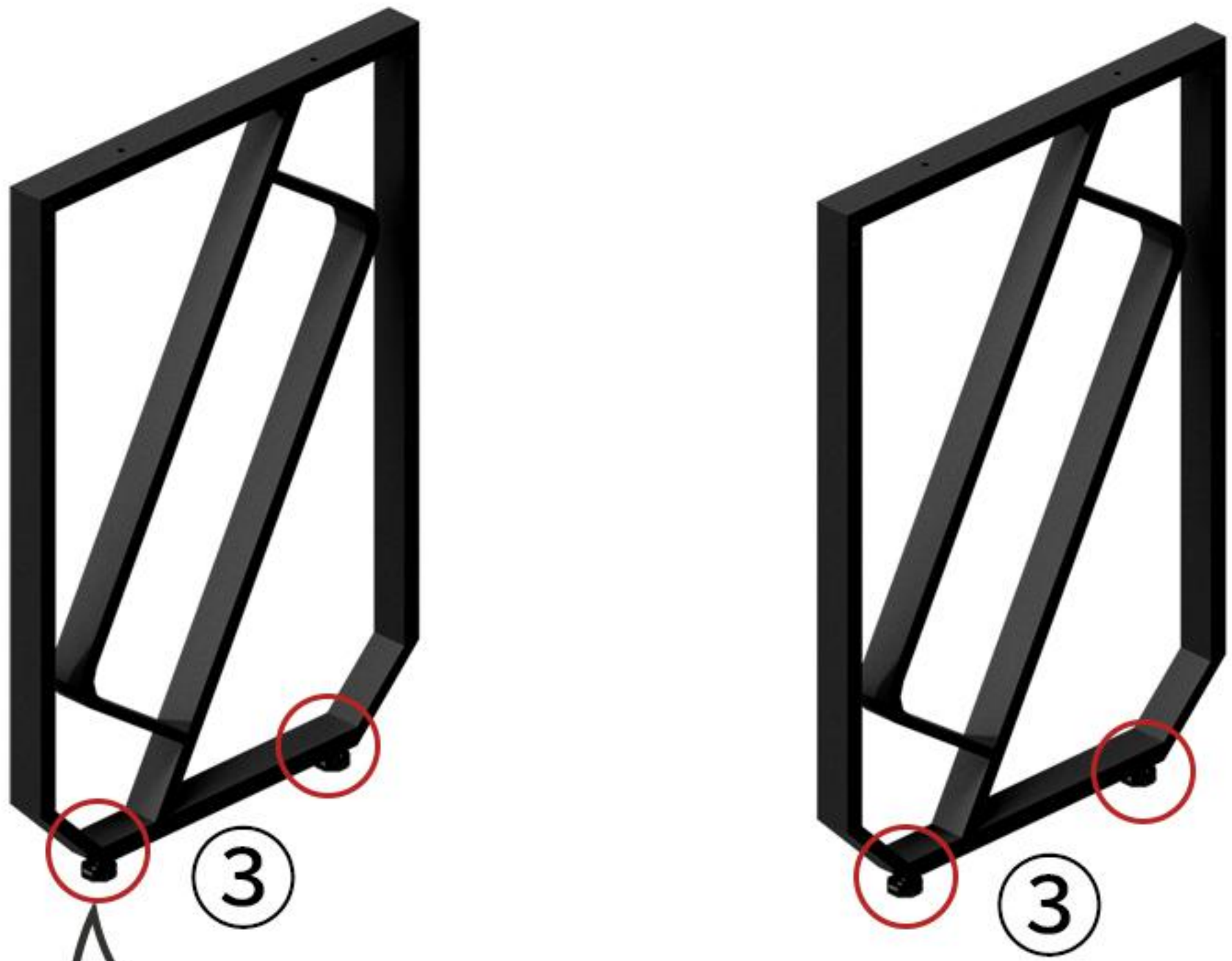
Presentation of finished product



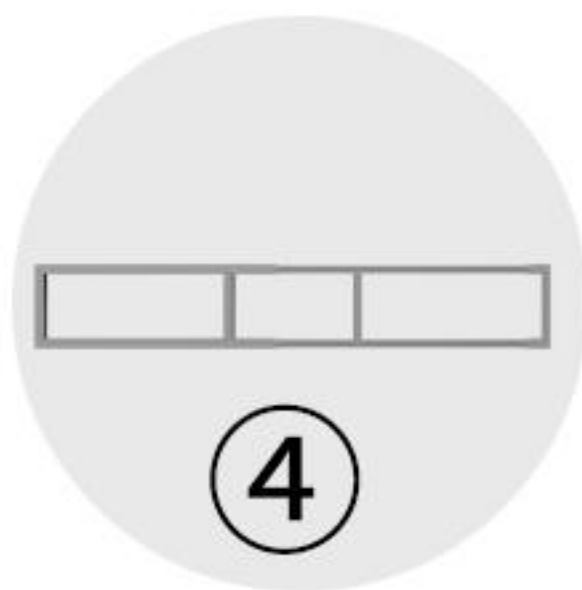
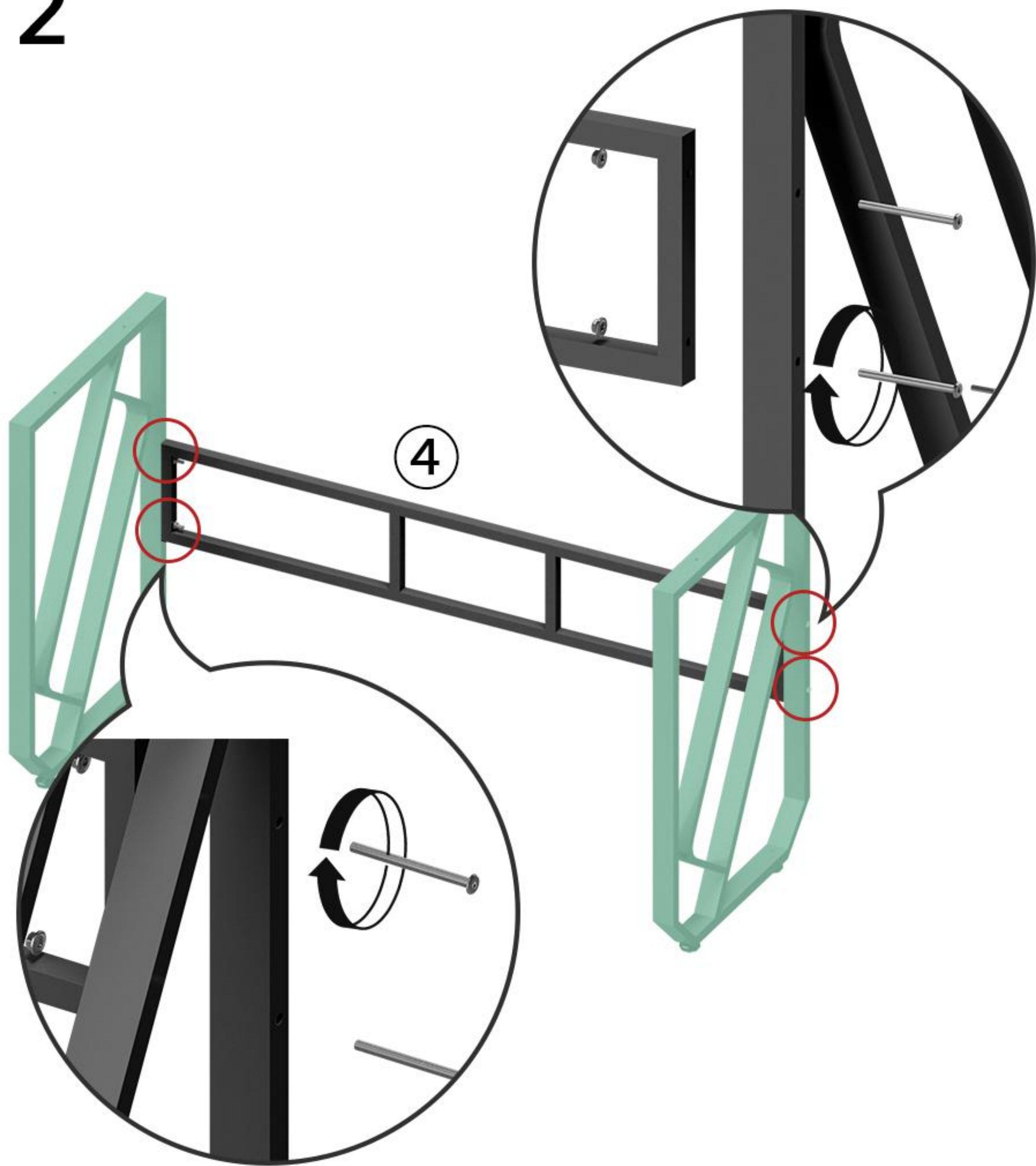
Product Split Diagram



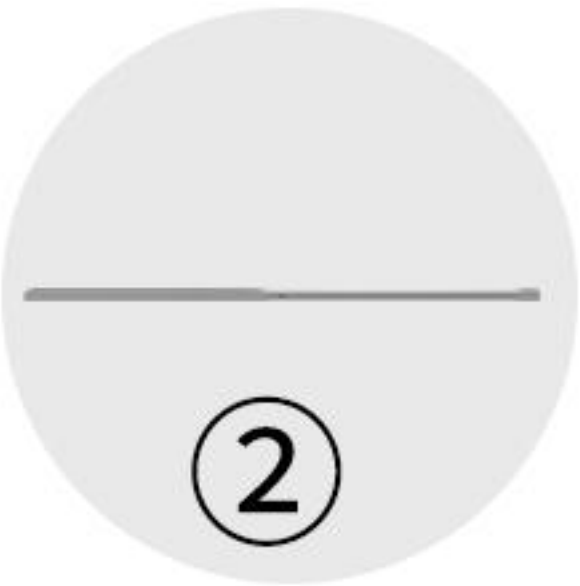
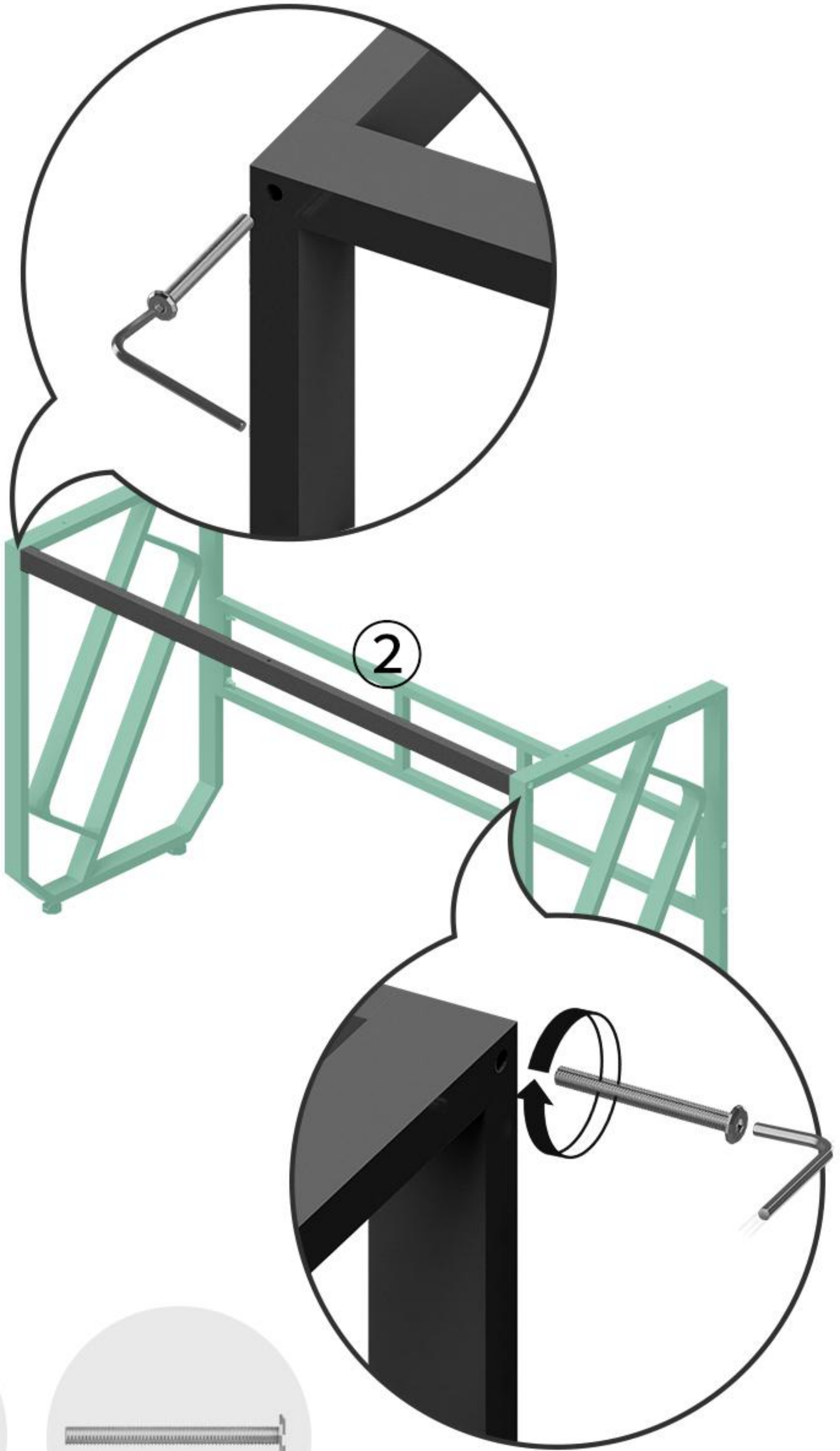
1



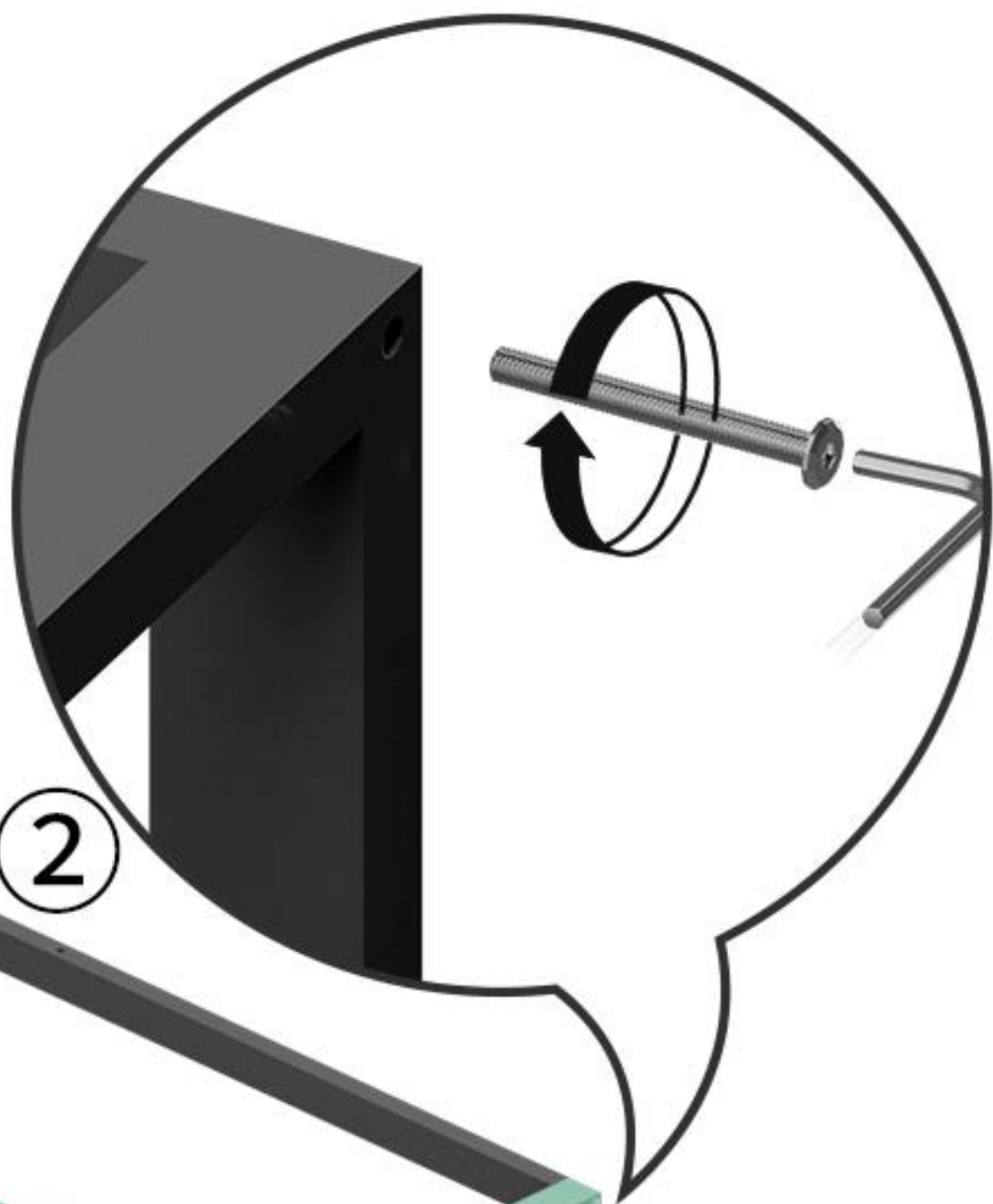
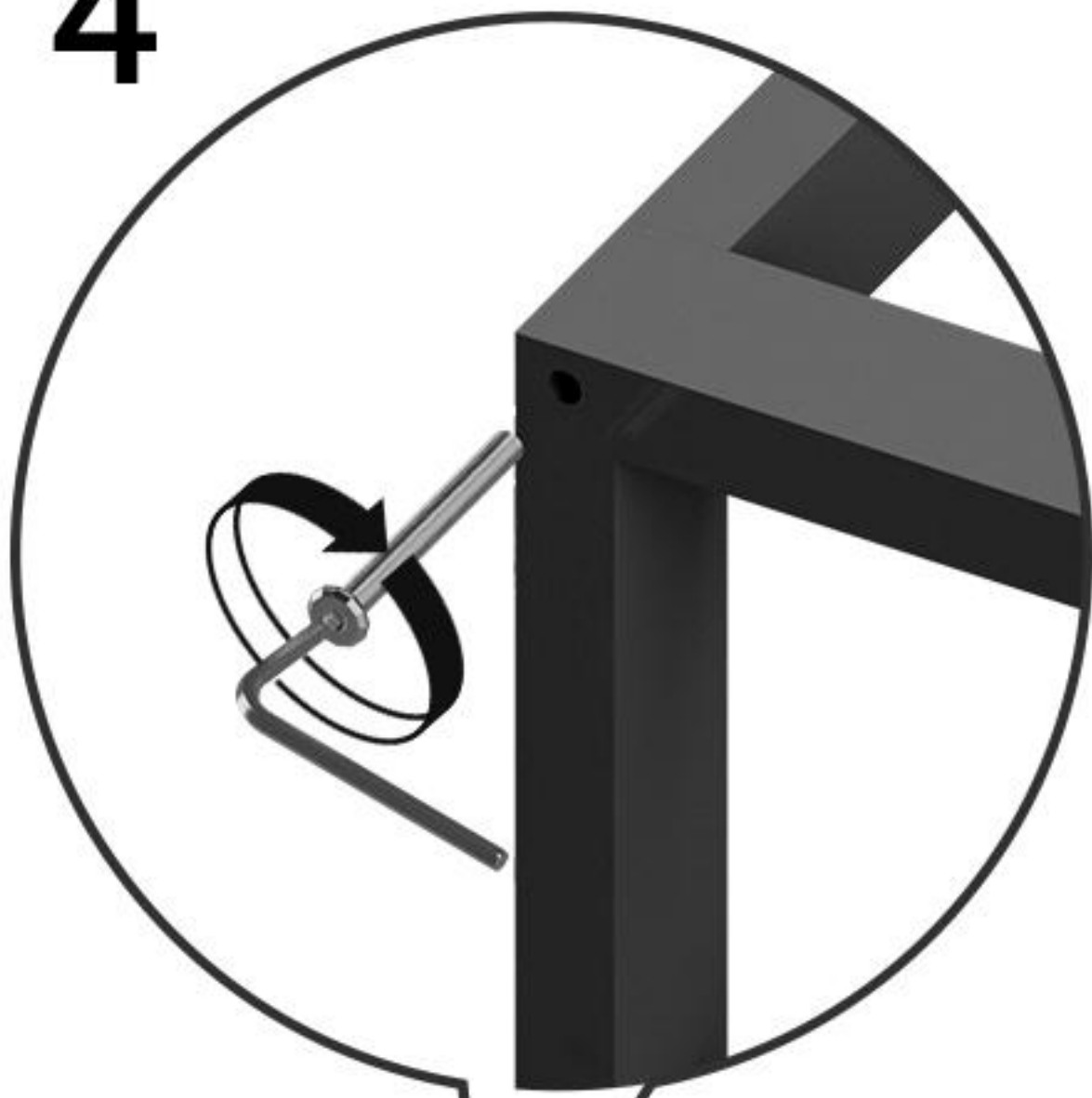
2



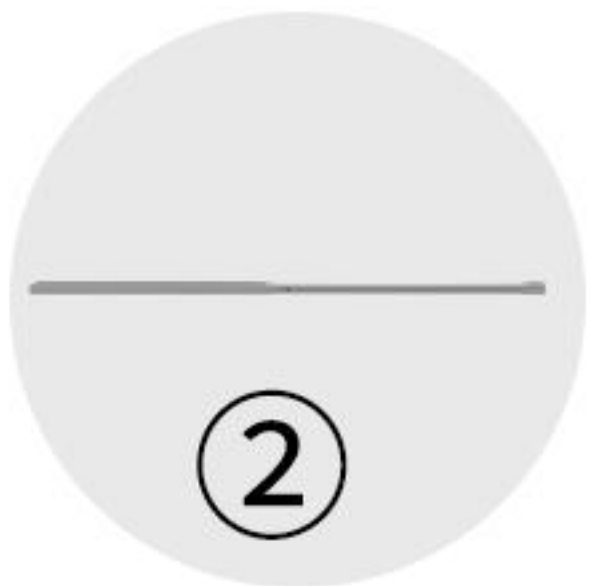
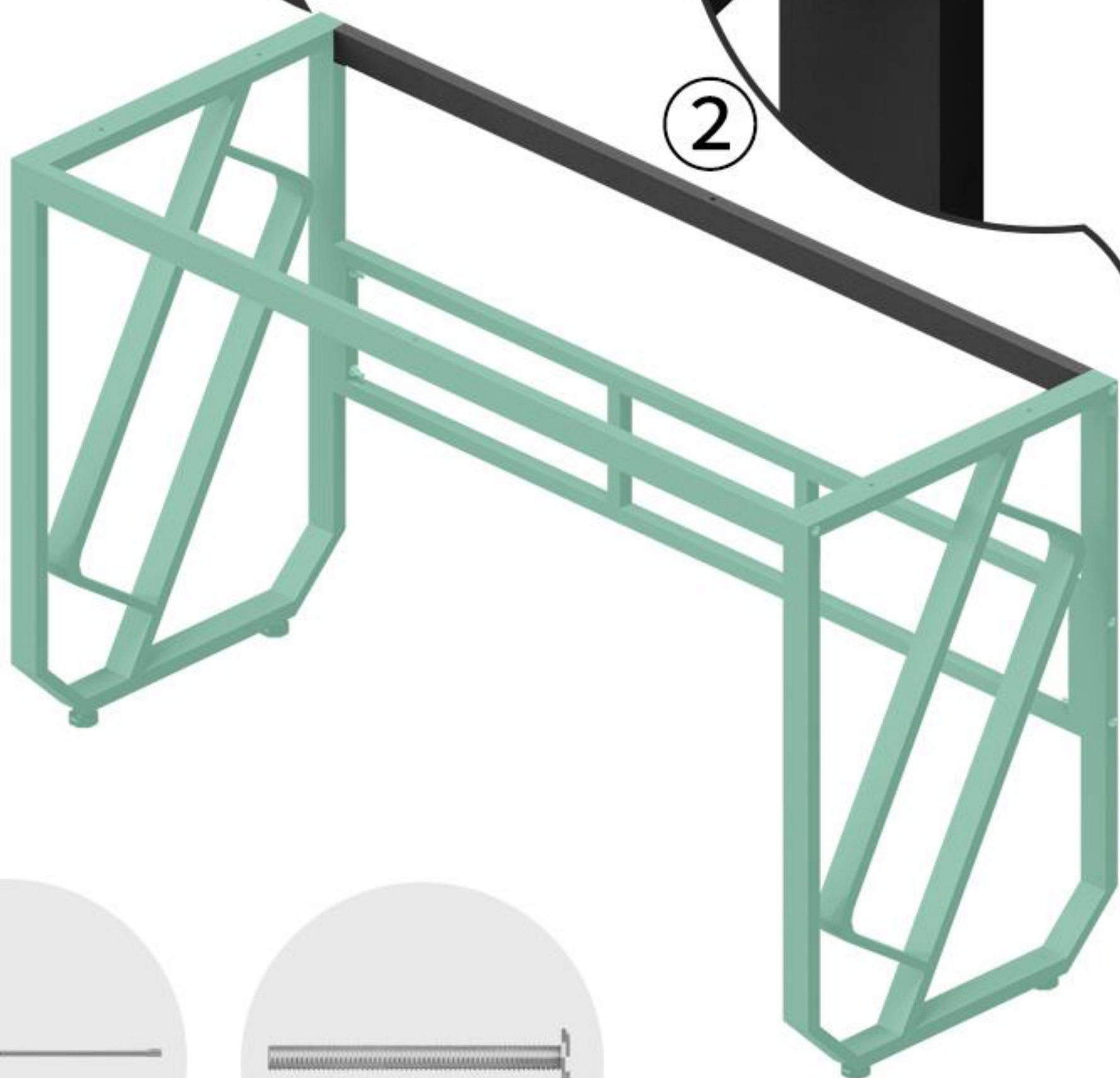
3



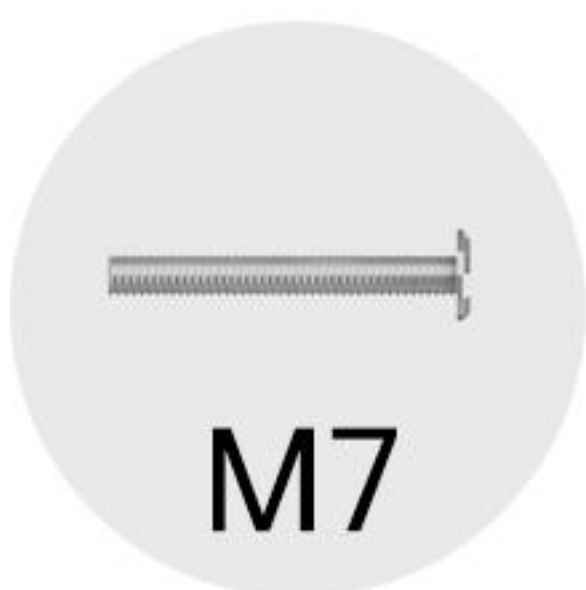
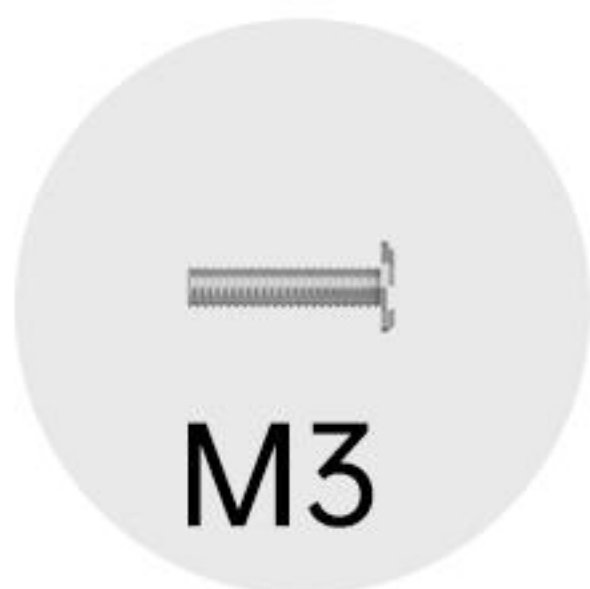
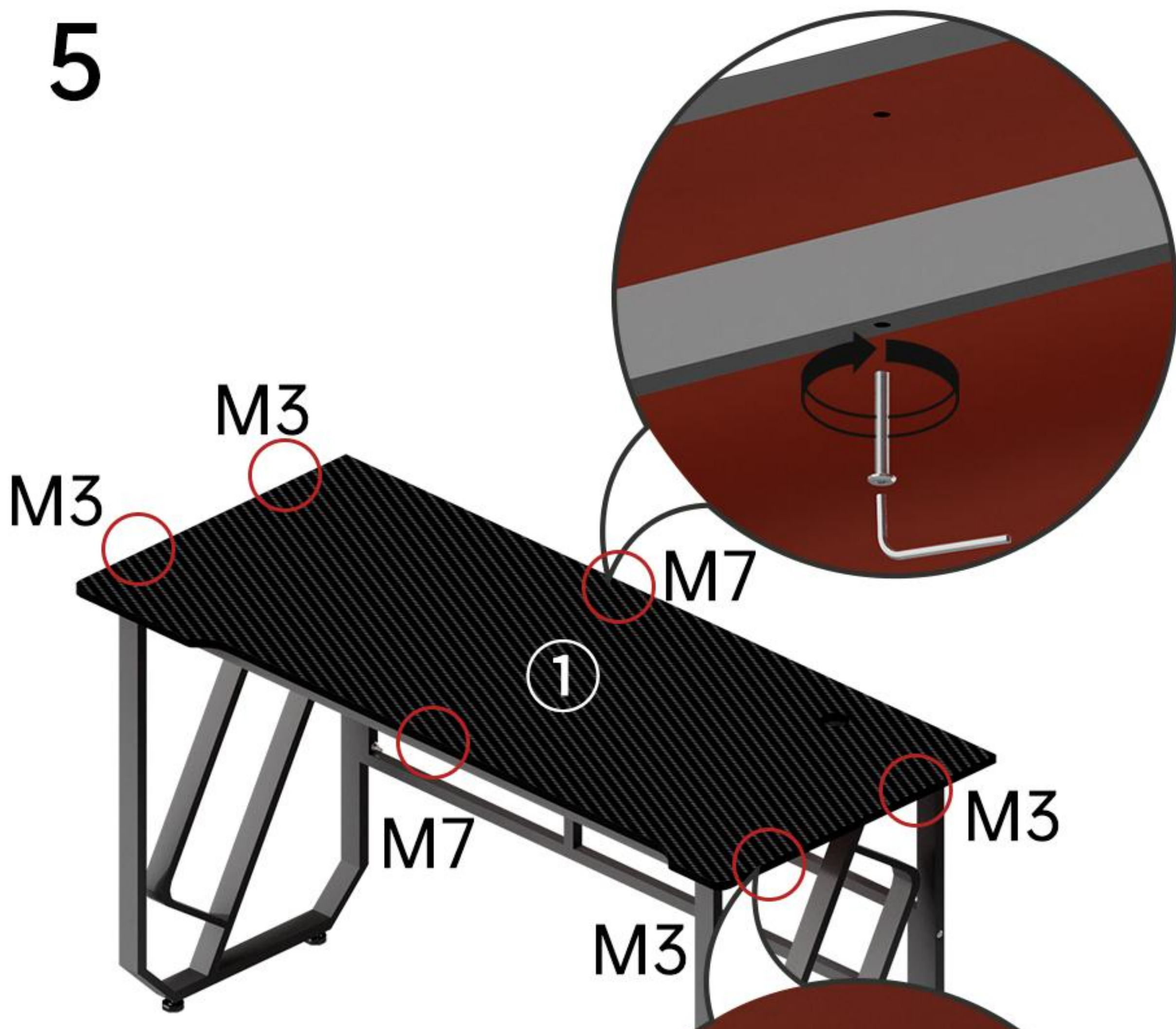
4



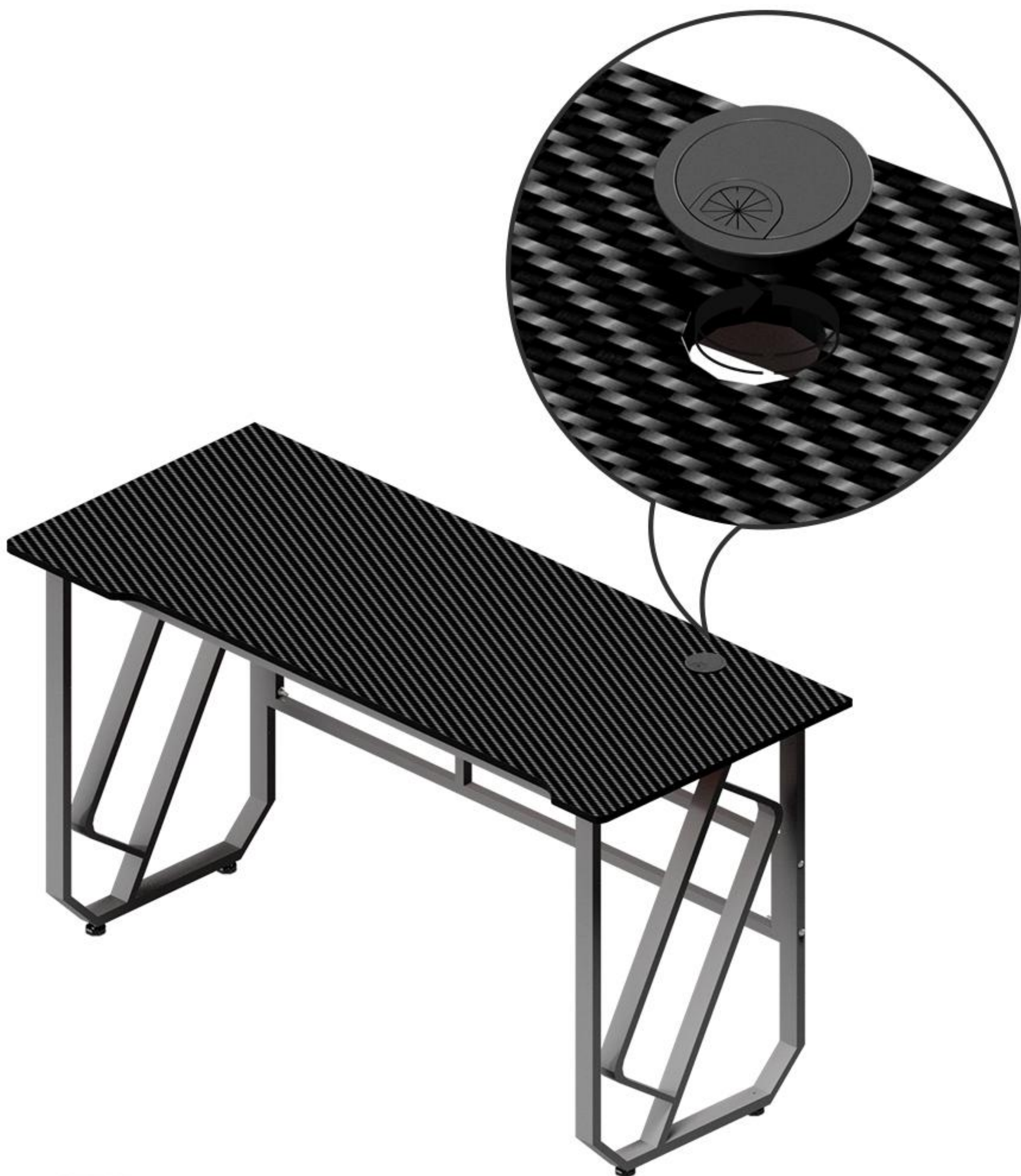
2



5



6



7

