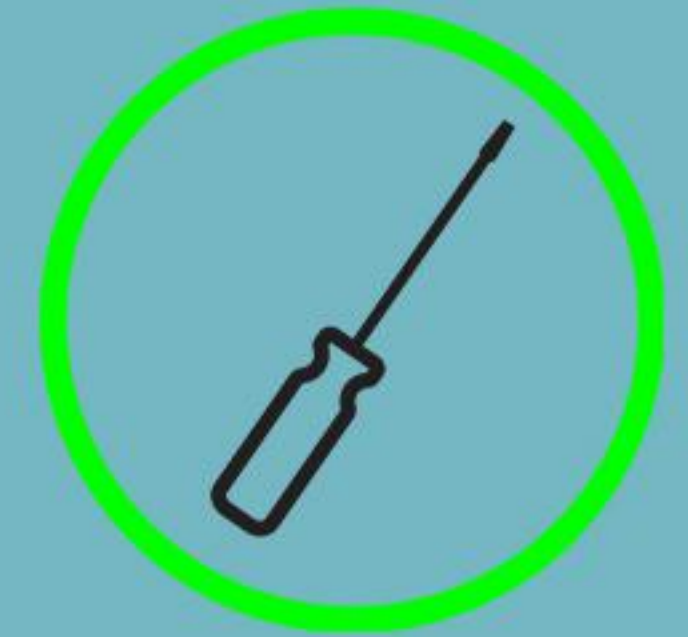
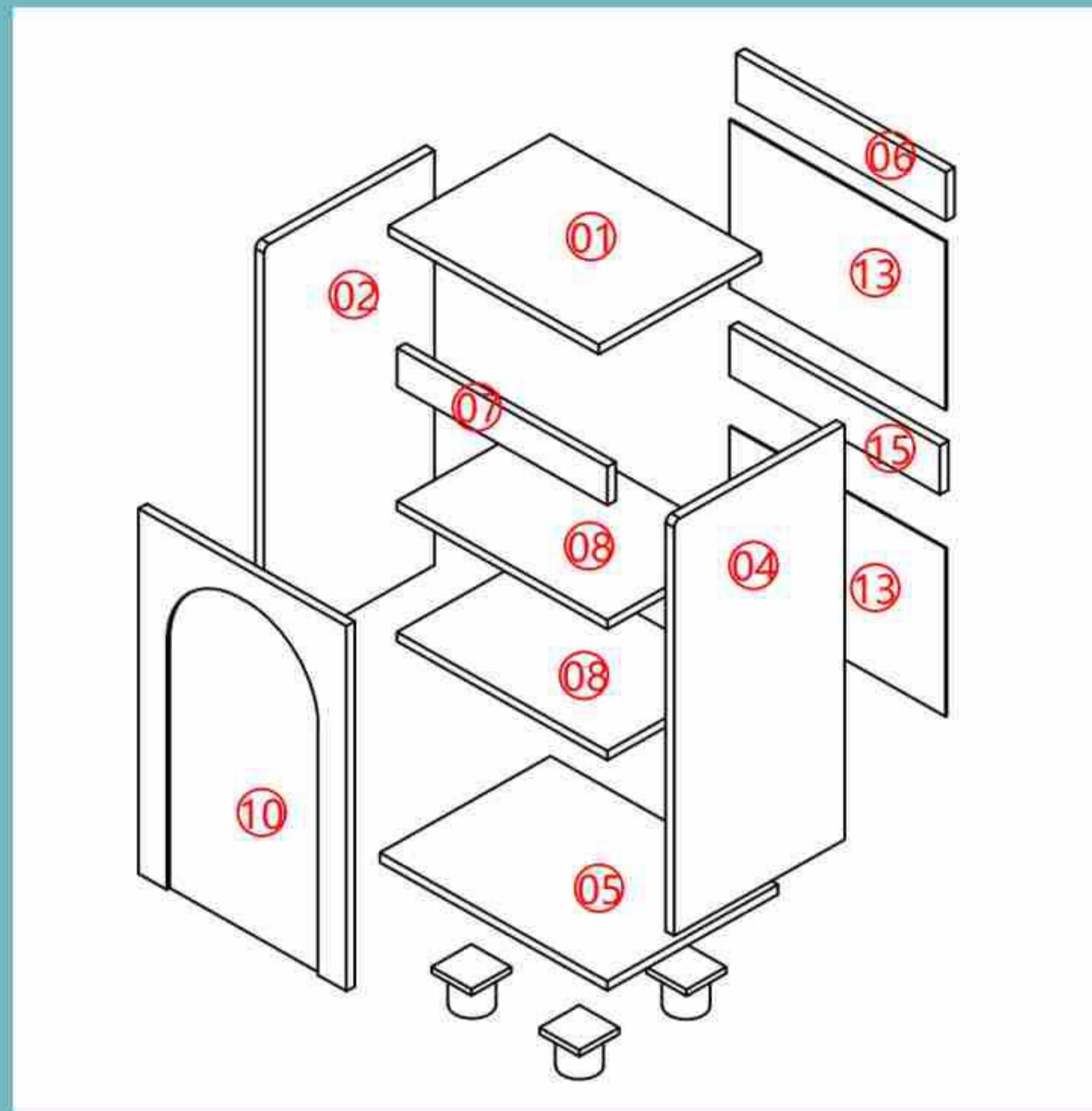


SOCE037- 40 x 30 x 72 CM Installation Instruction

Please be sure to use a manual screwdriver and refrain from using an electric drill.

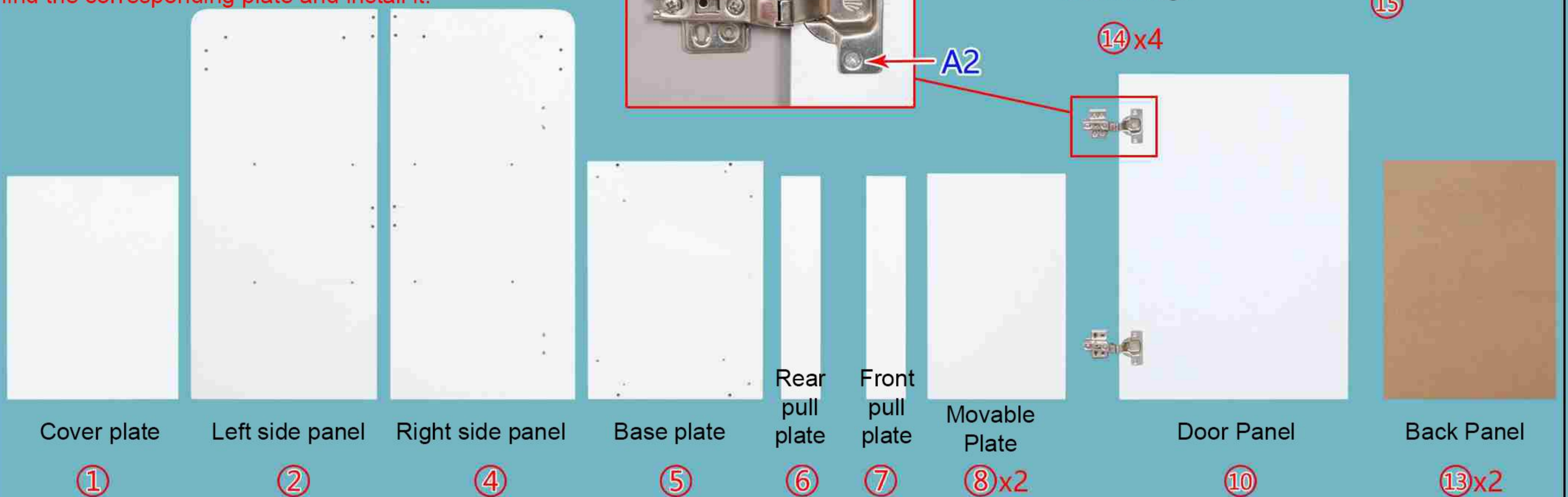
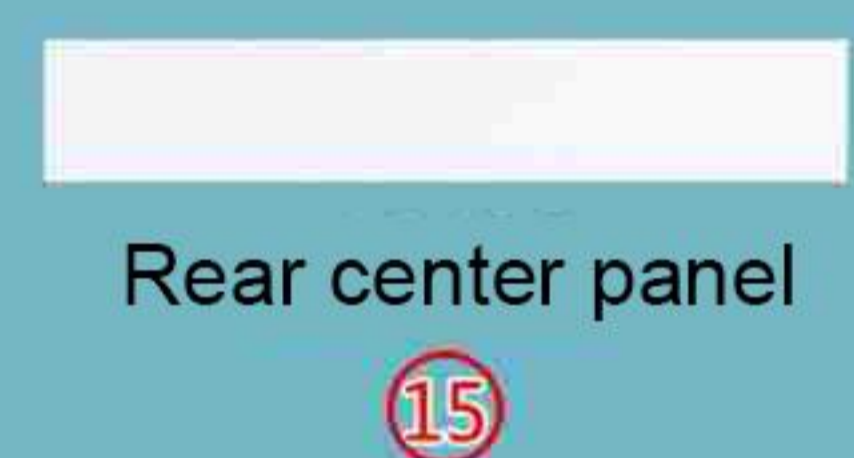


				
5*40 pointed screws	Small nails	3.5*14 self-tapping screws	Hinge	Iron shelf pin
C1*20	K20*20	A2*28	G1*2	L0*8



Board part:

The serial number interruption does not mean that the plate is missing. Just check the plate serial number to find the corresponding plate and install it.

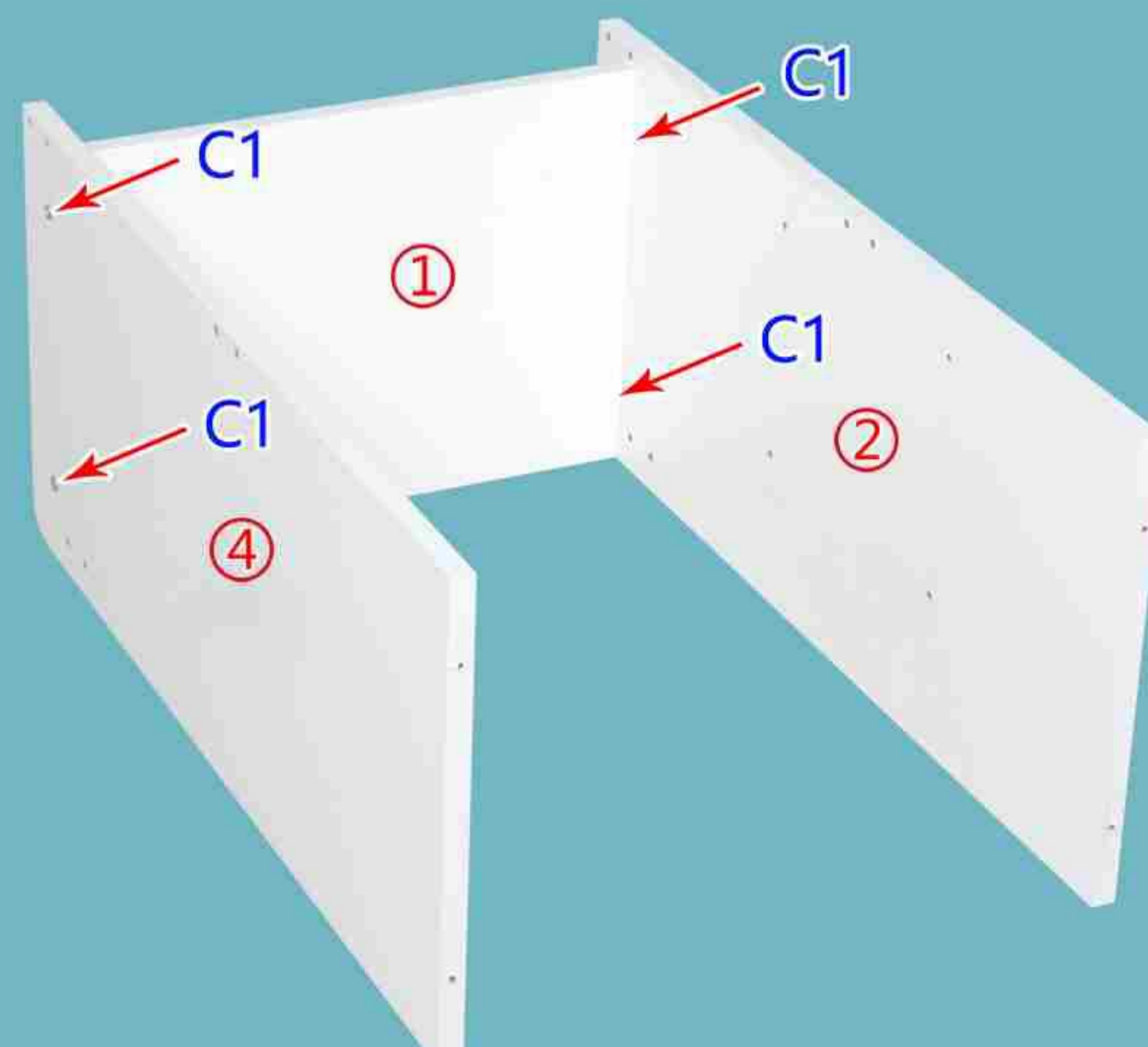
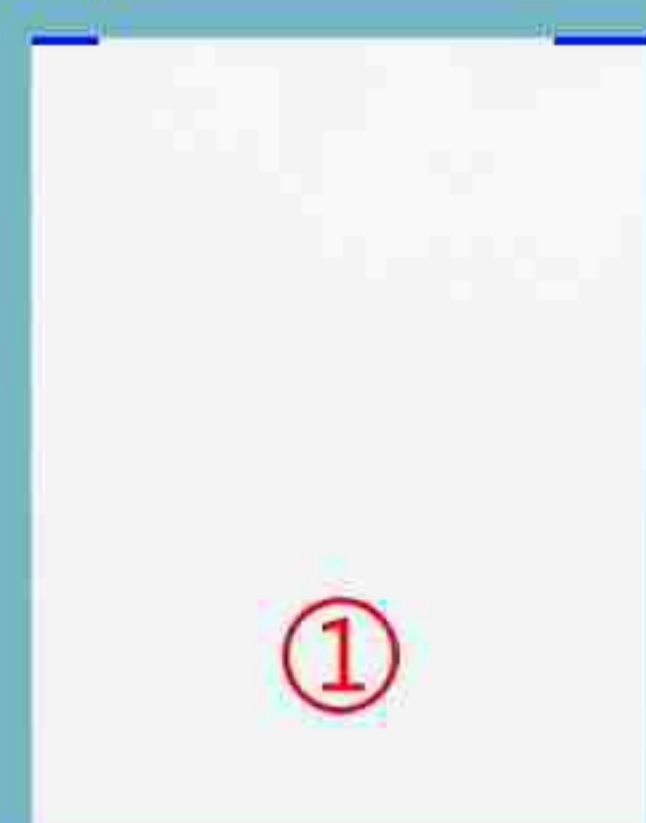


Step 1: Overall Installation:

<1>

The arc is at the lower back, and the non-penetrating holes are facing inwards

The hole distance from the edge is shorter and closer to the top



Cover plate Left side panel Right side panel

<2>

5*40 Pointed Screws
C1*8

7
Front pull plate

6
Rear pull plate

<3>

5*40 Pointed Screws
C1*8

15
Rear center panel

<4>

5*40 Pointed Screws
C1*4

Note that the side with holes faces forward

5
Base plate

<5>

Small Nails
K20*20

13
Back Panel
(Two Pieces in Total)

<6>

3.5*14 Self-Tapping Screws
A2*16

14
Cabinet legs
(Four in Total)

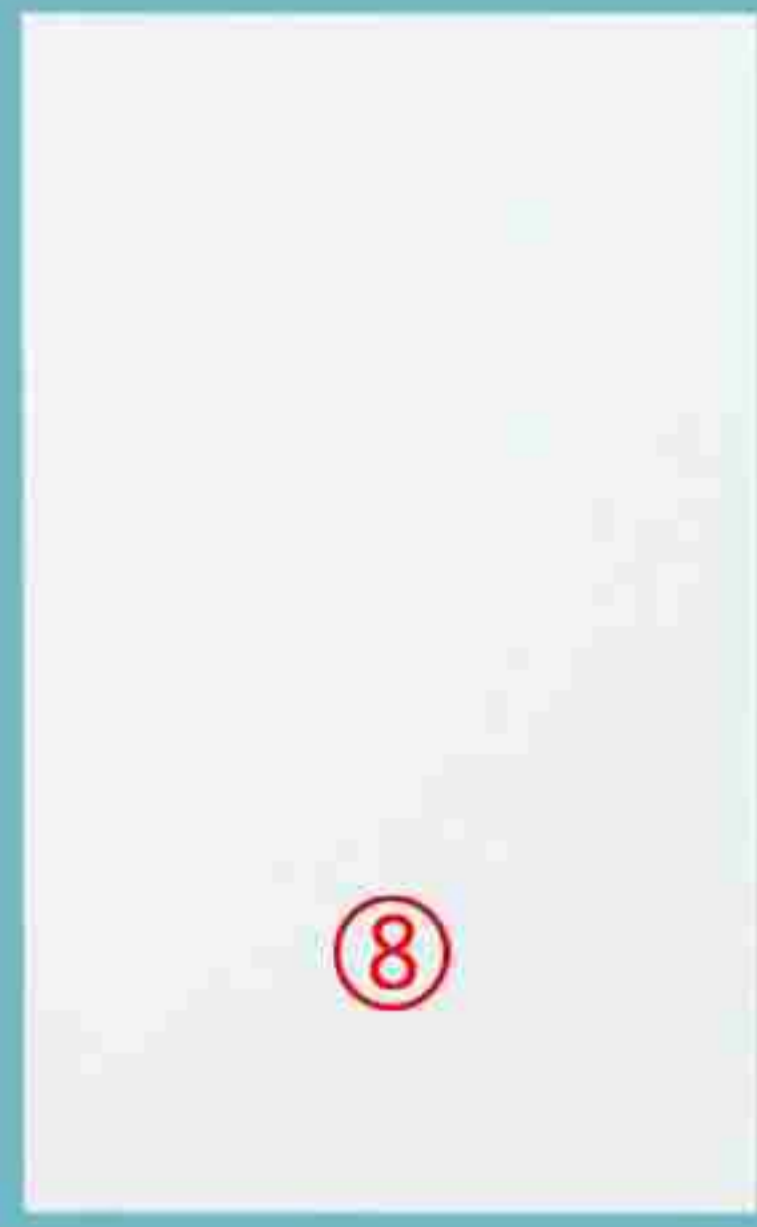
13

<7> Overall Alignment

Iron Shelf Pin
L0*8

L0

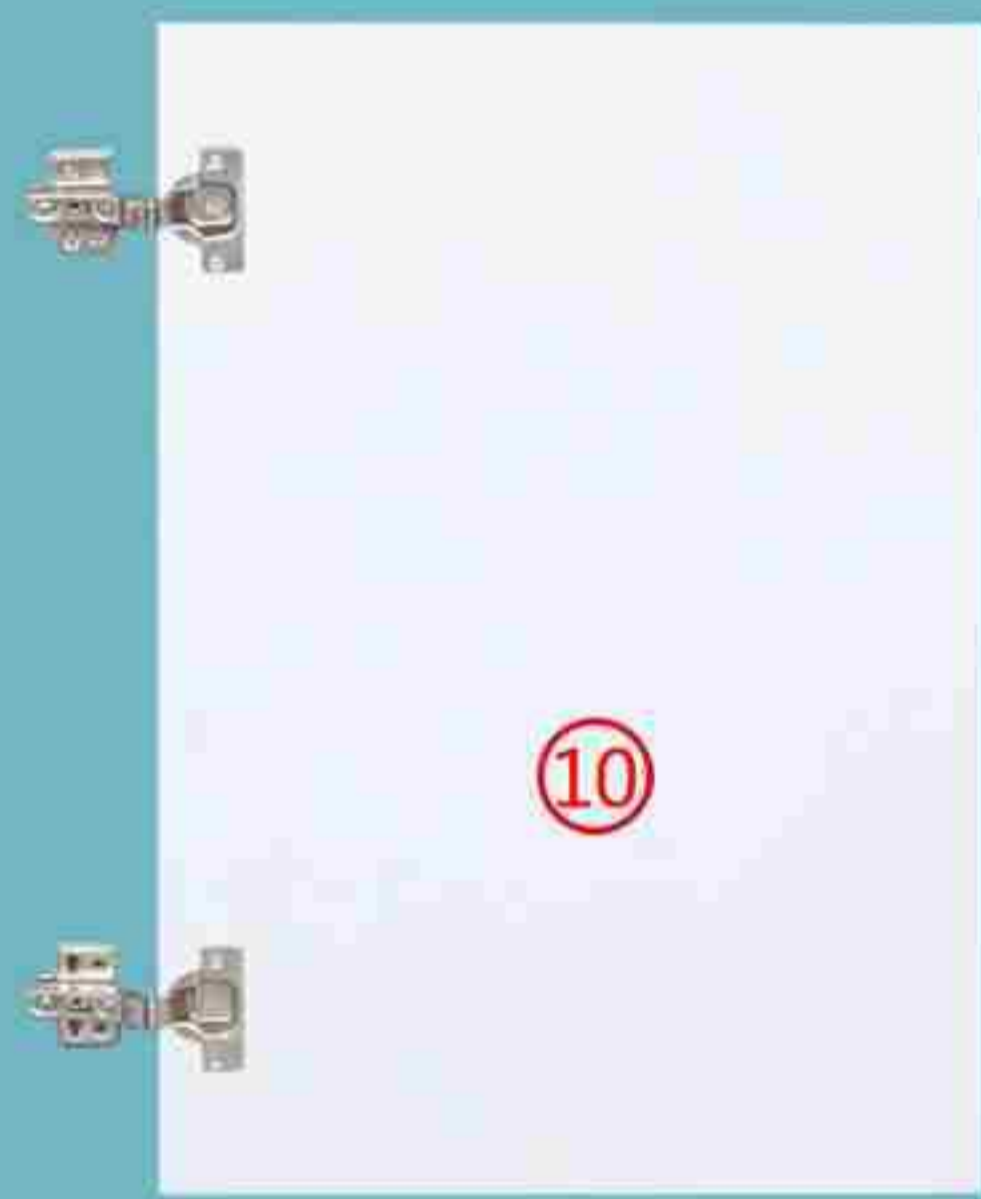
<6> Place the Movable Shelf on the Shelf Pins



Movable Plate
(Two Pieces in Total)



<7>



Door Panel



The position for installing the hinge is marked with a pinhole on the board. Use the smallest self-tapping screw to fix it. First screw in two screws, and then screw in all the screws after the door panel is adjusted.

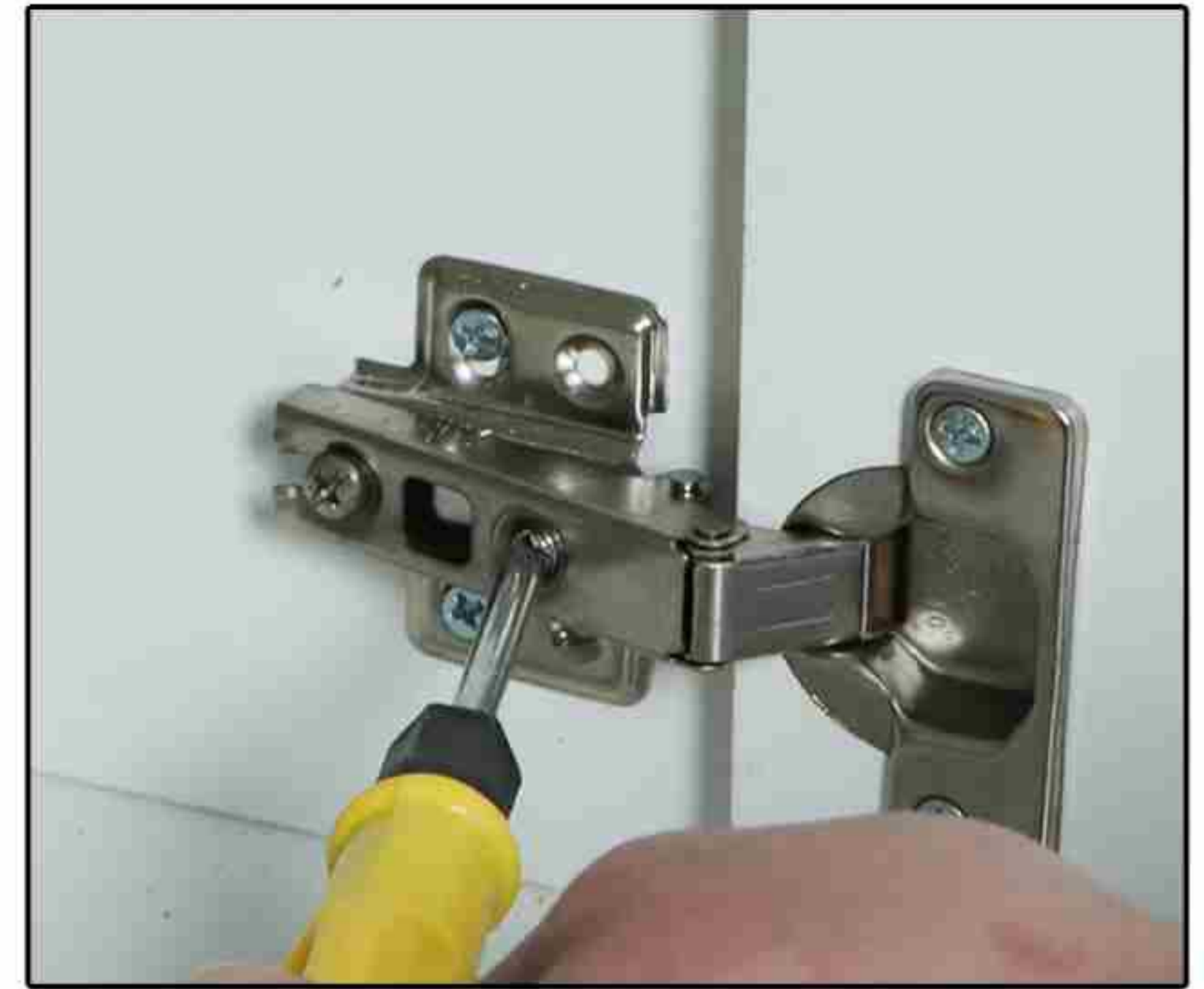
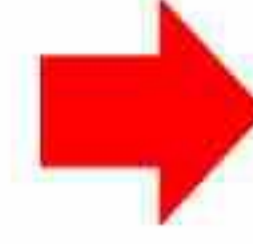
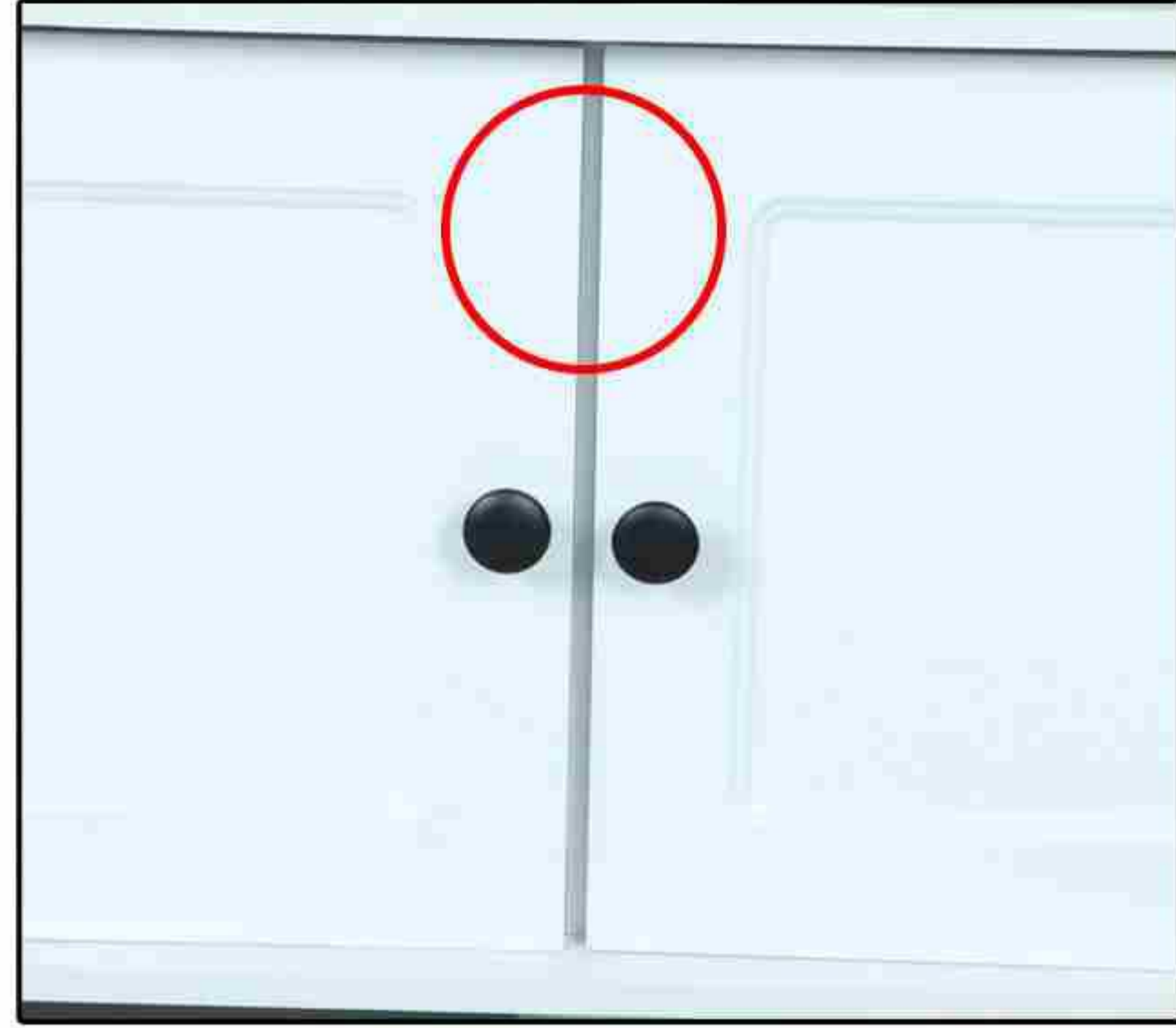
<8>



Installation Completed!

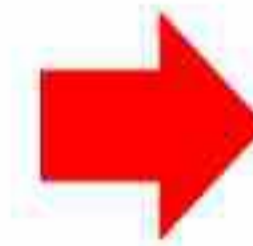
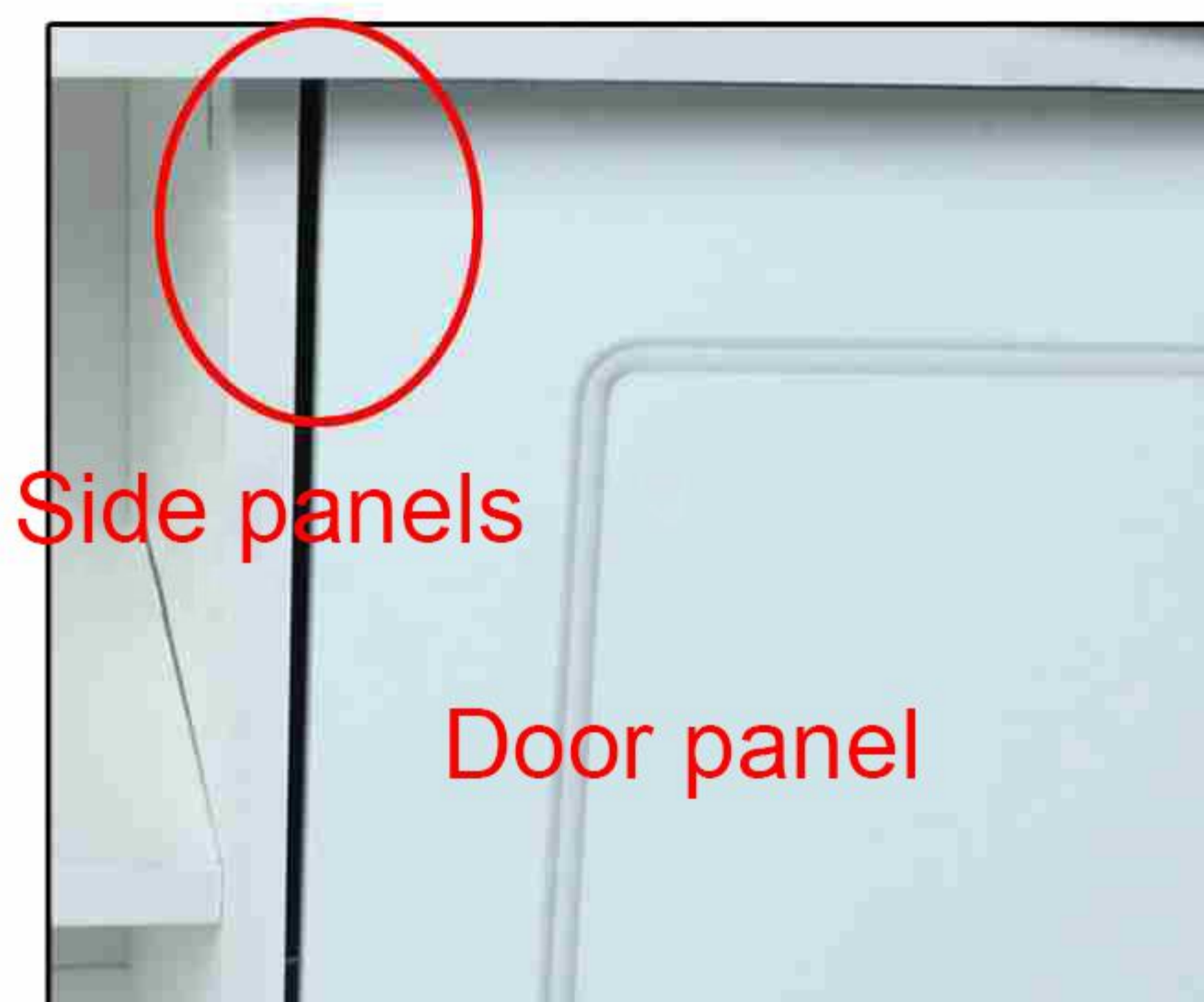
Door panel adjustment

Door gap is too big



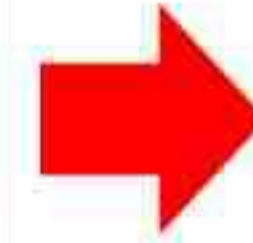
As shown in the picture, the screw that the screwdriver points to is used to adjust the door panel to move left and right, and turning it clockwise is to adjust the door panel to move toward the center.

The gap between the door panel and the side panel is too large



As shown in the figure, loosen the screw that the screwdriver points to, push the door panel in or pull it out, and then tighten it to solve the above problem.

Uneven door panel



As shown in the figure, loosen the screw that the screwdriver points to, push the lower door panel and hinge upward, and then tighten the screw. Push the upper door panel and hinge downward, and then tighten the screw.