

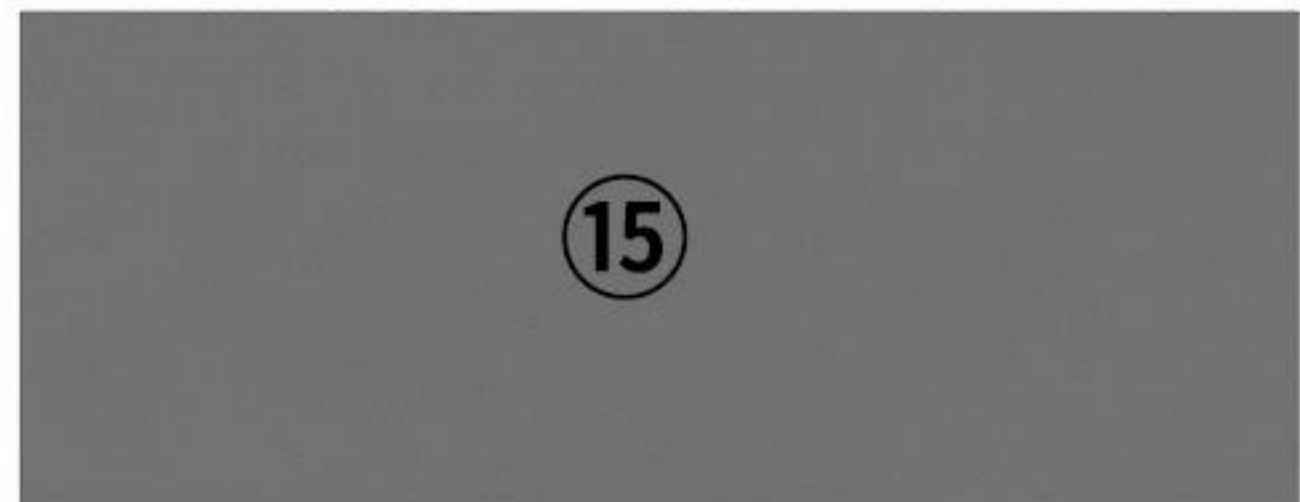
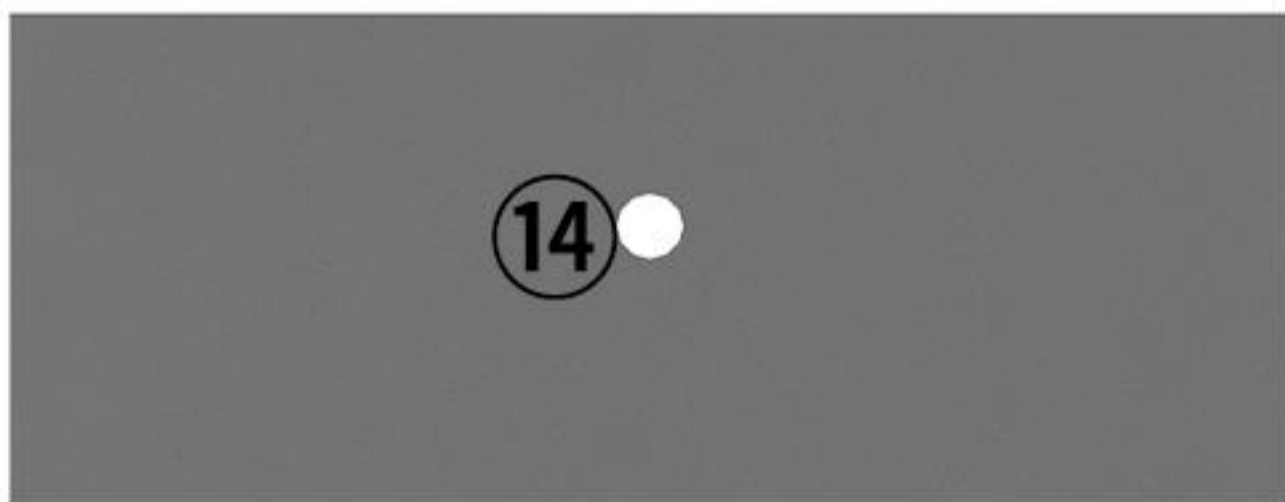
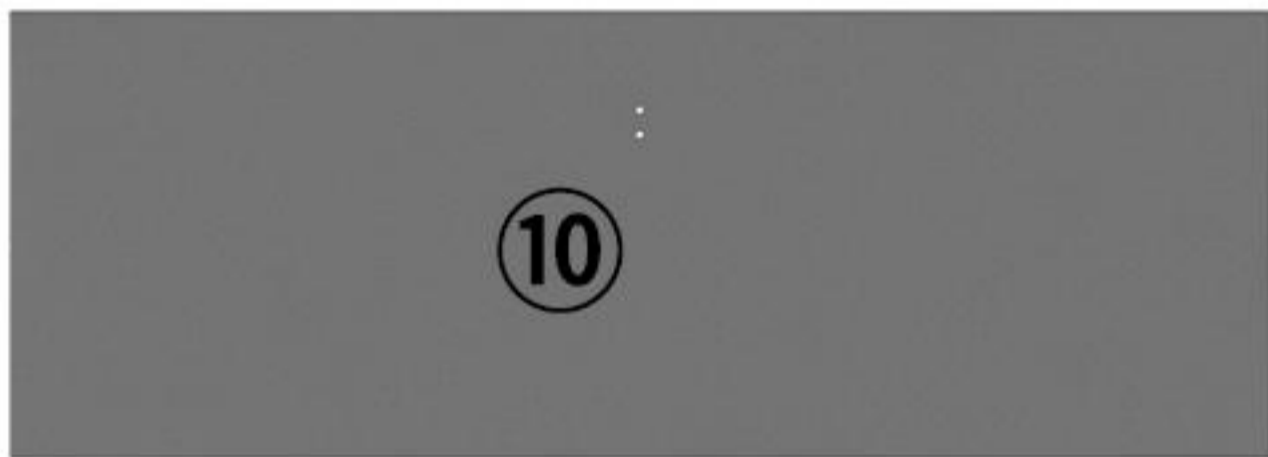
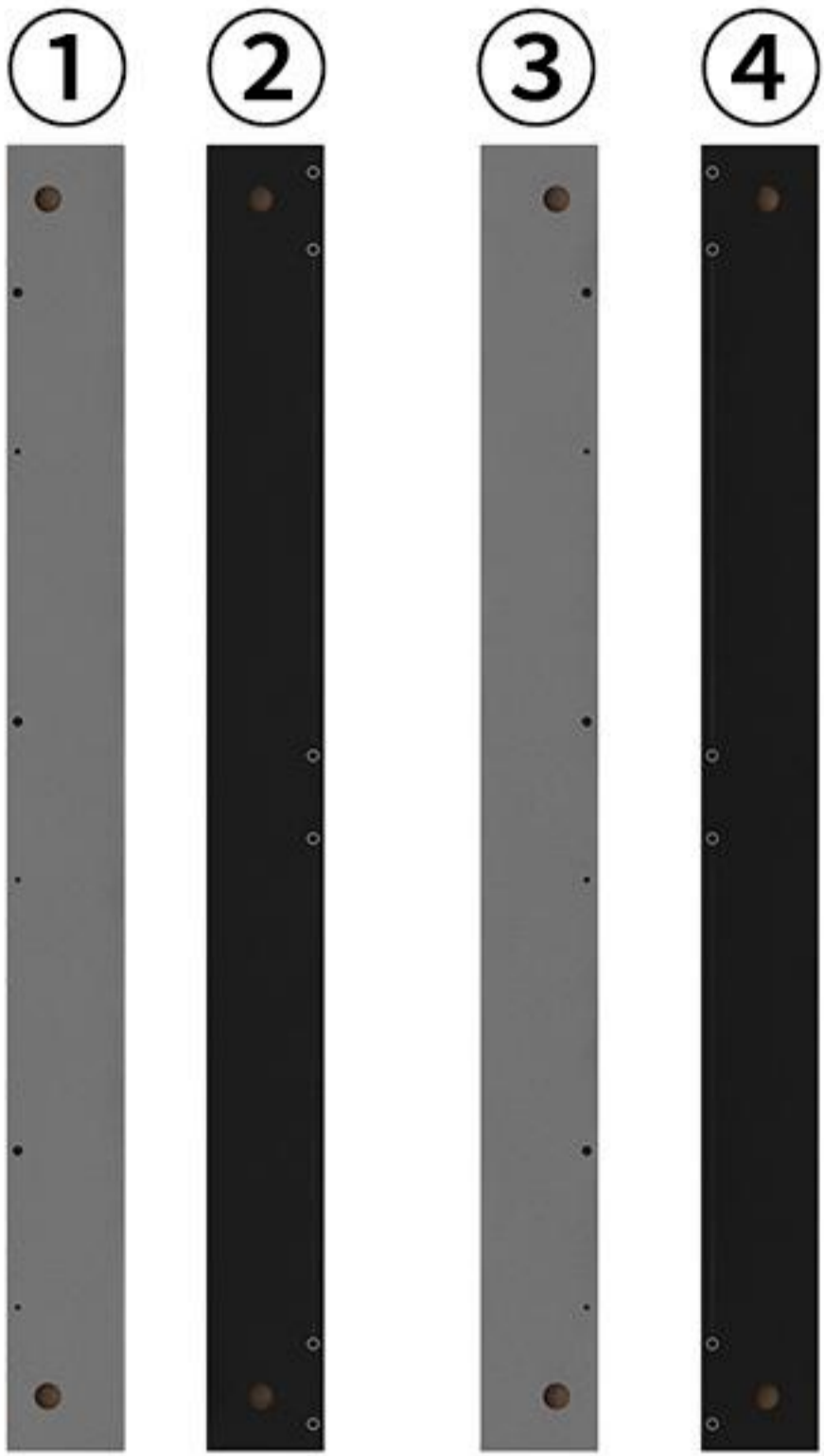


Please be sure to use a manual screwdriver  
and refrain from using an electric drill.

## SOCE008 - 18CM Installation Instruction







Board 14 and 15 are very THIN boards.  
They might be packaged at the very bottom of all the boards or under the foam boards.



W9\*1



K6\*8



L11\*3



B16\*6



J26\*3



D1\*22



D7\*8



P10\*6



S15\*6



A1\*36



B11\*24



K11\*1



Tripod Legs

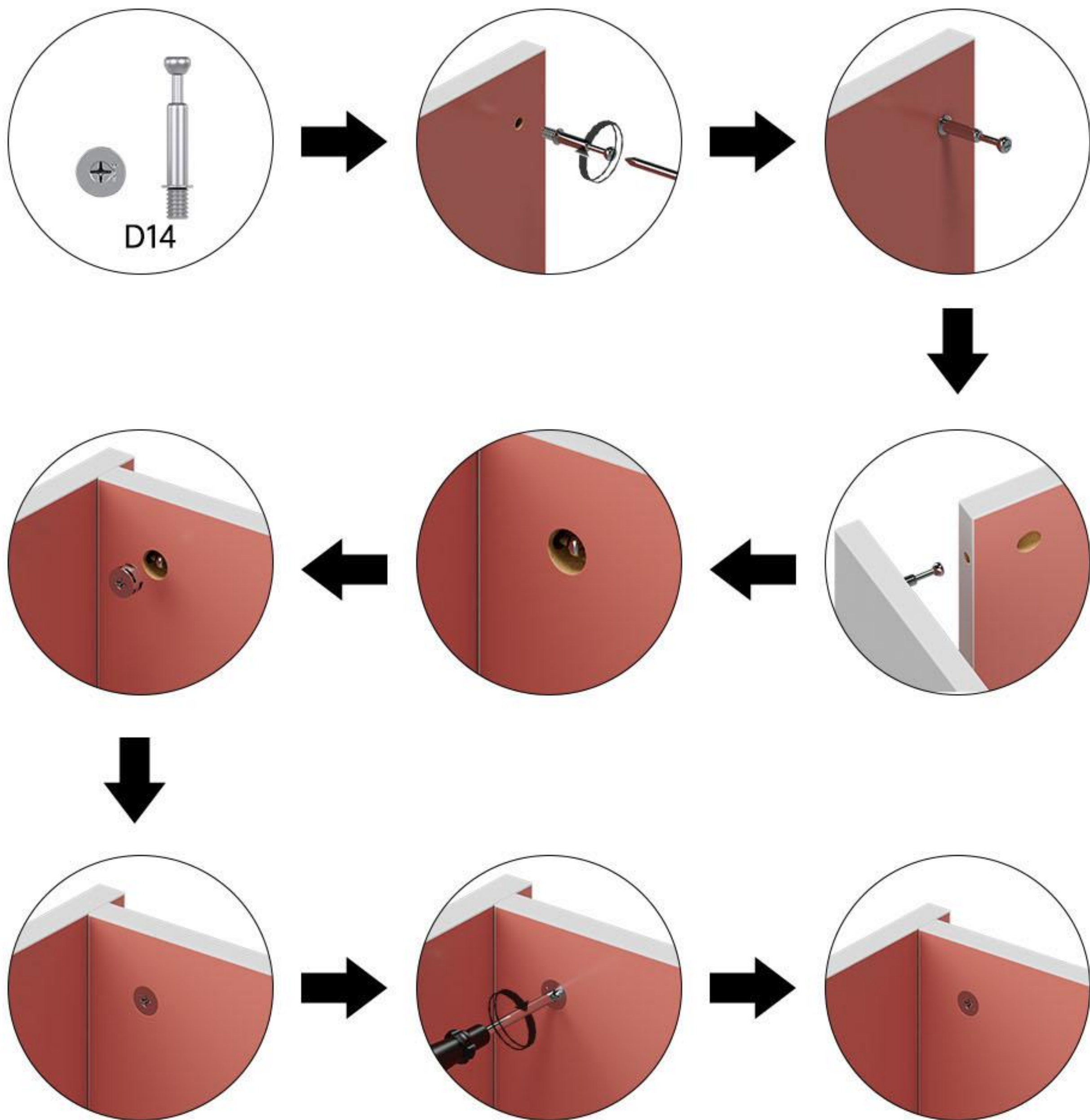


Cylindrical  
Legs



Flip-bin hinge

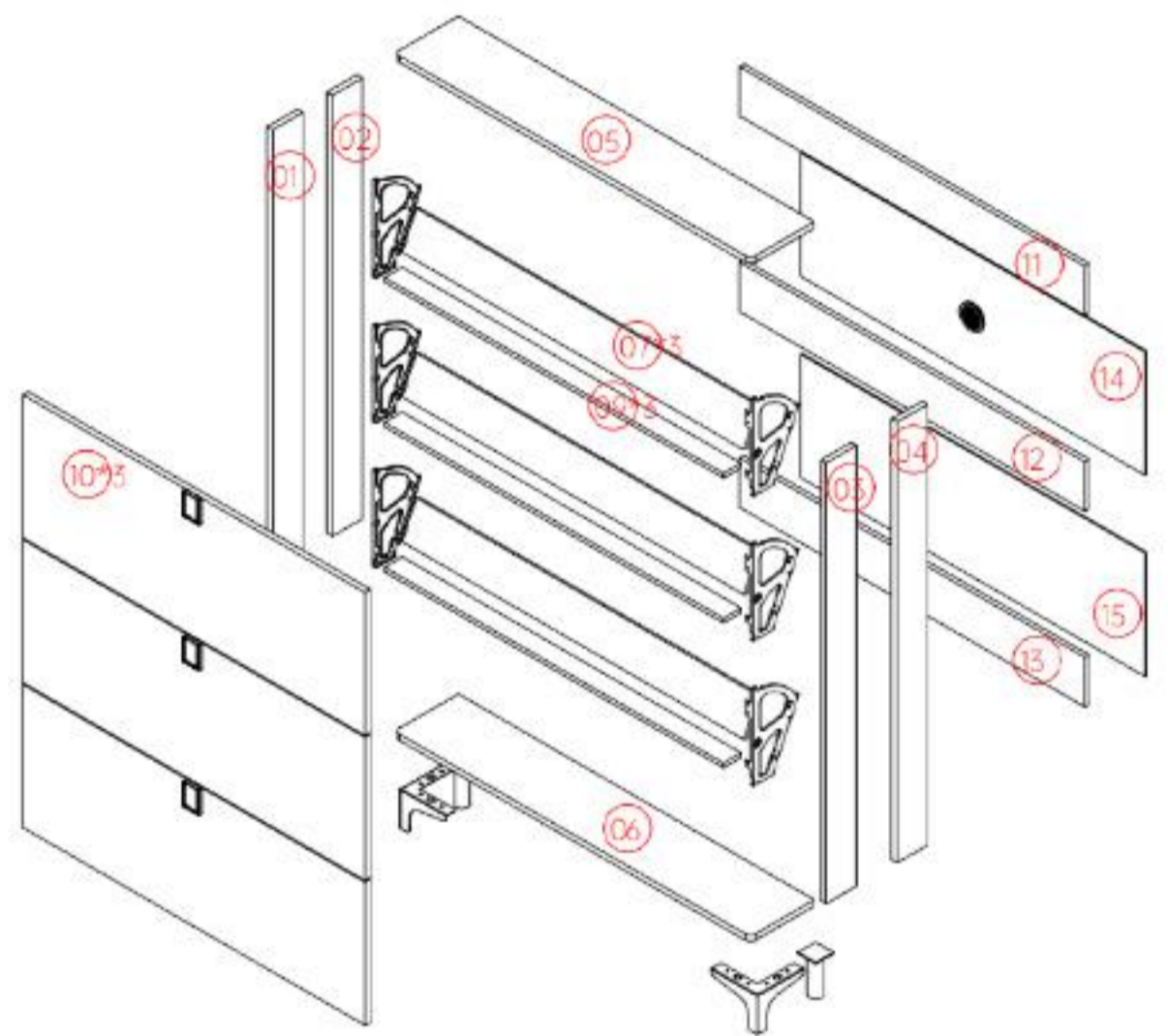
# Installation method of eccentric screw



## Presentation of finished product

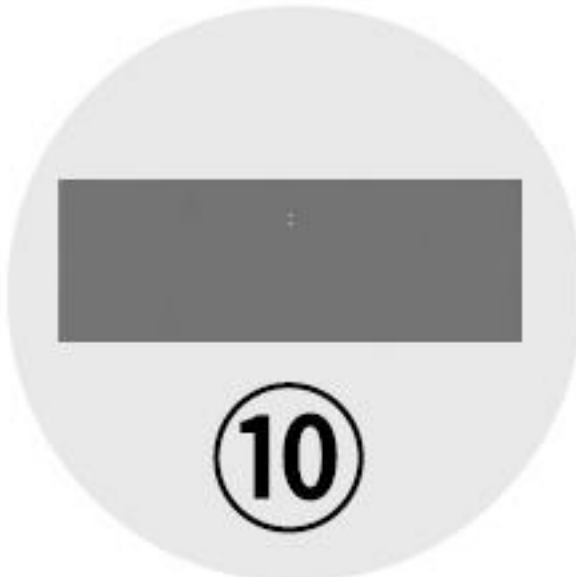
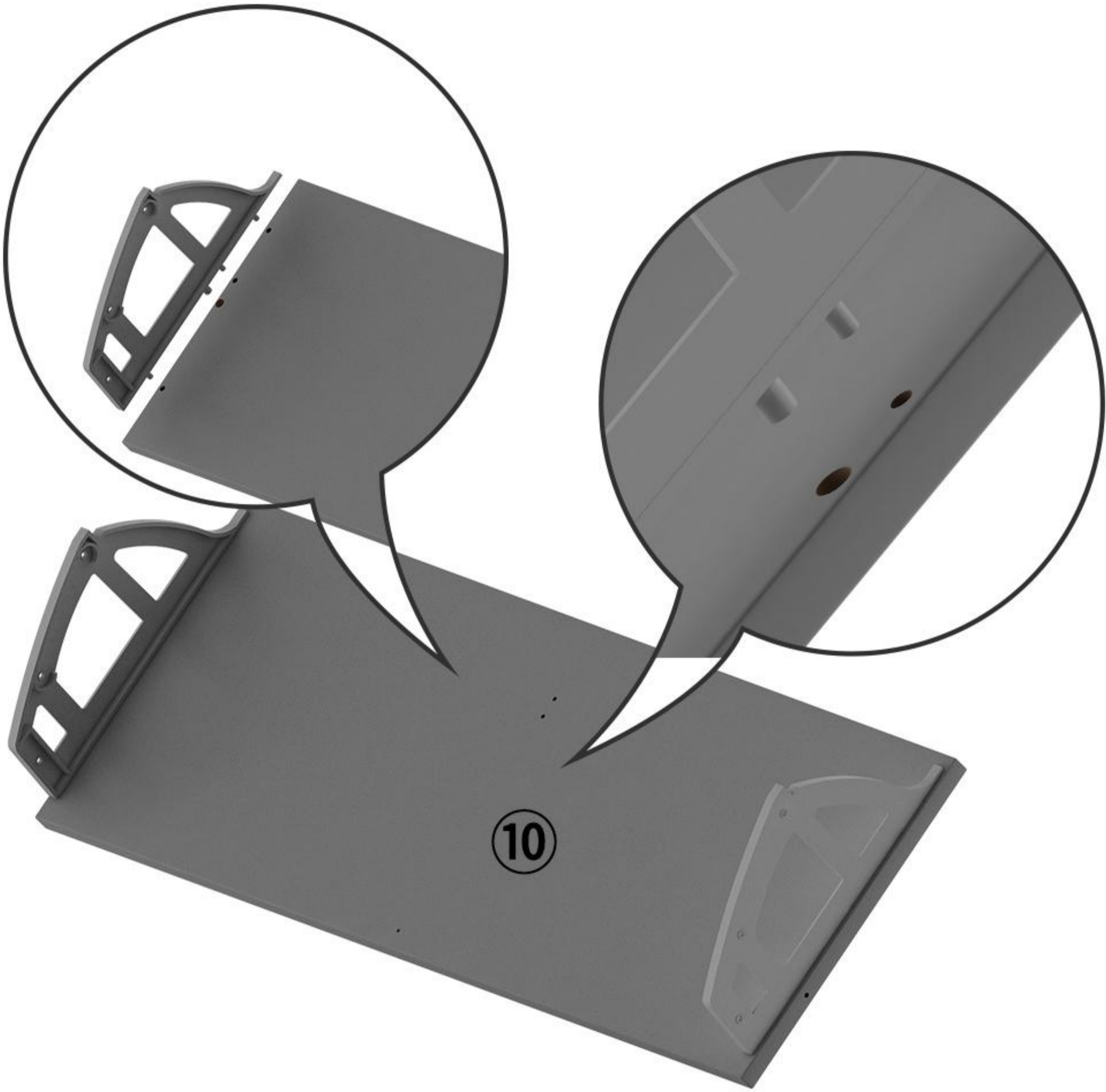


## Product Split Diagram

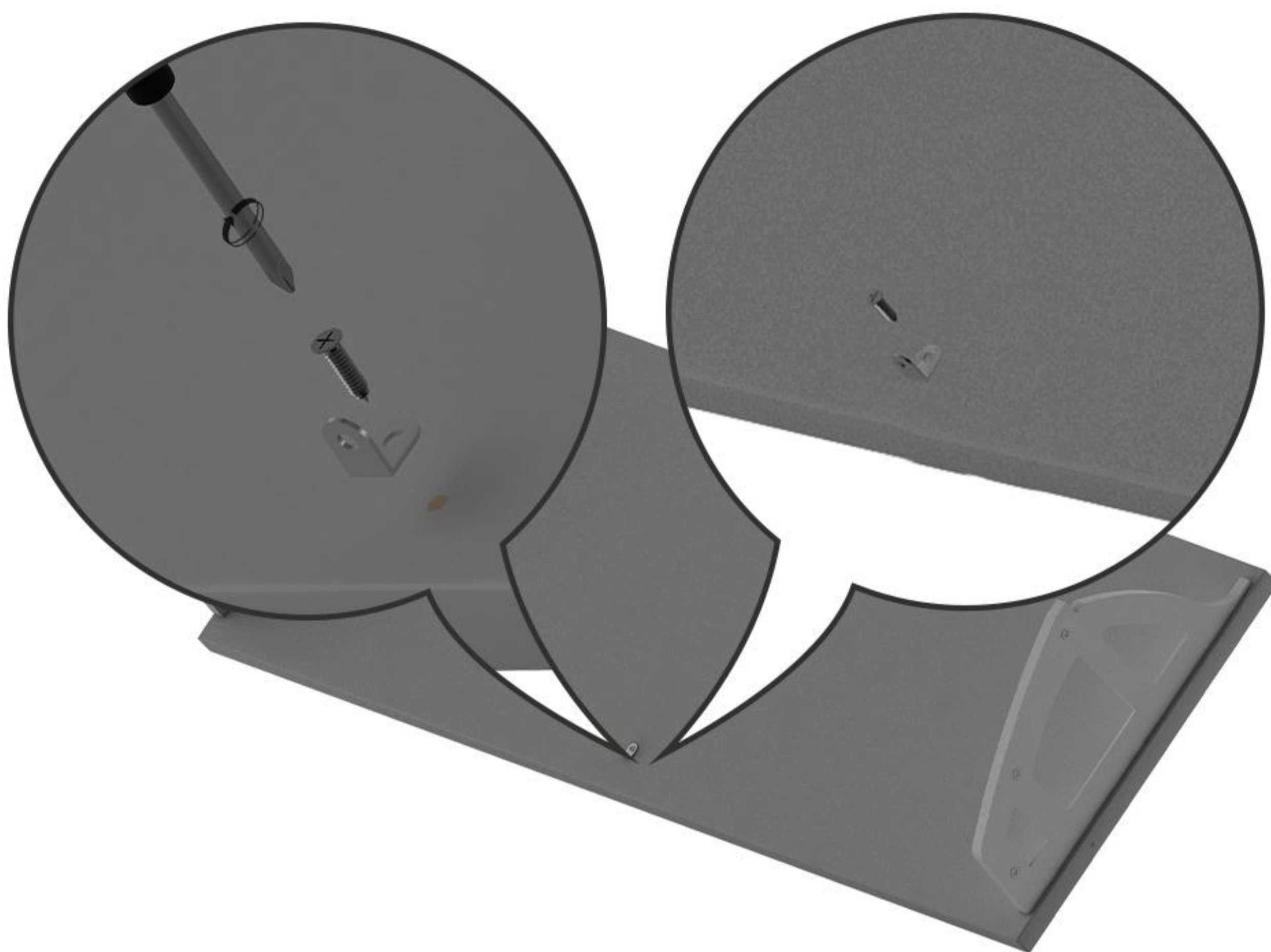




1



2

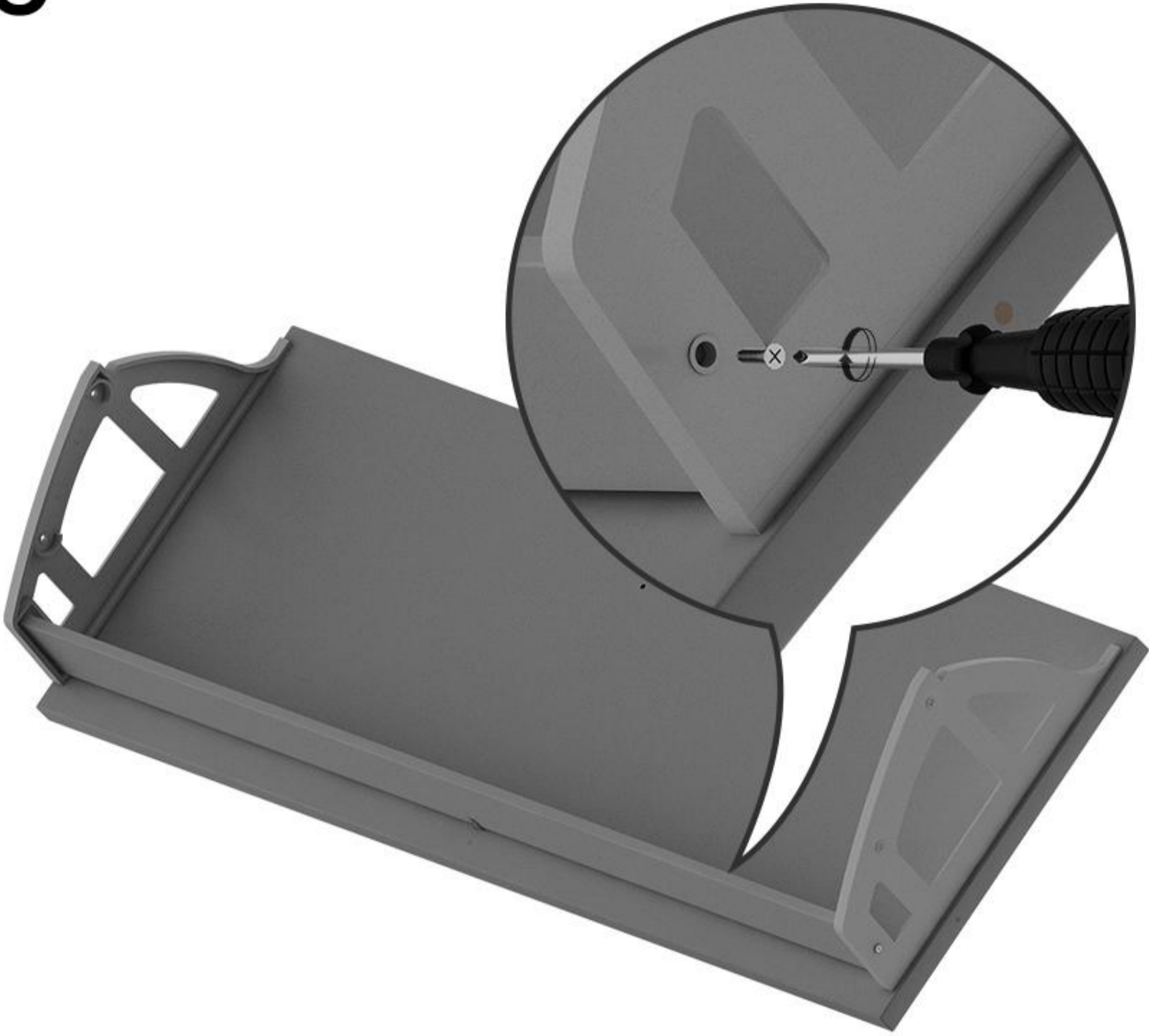


**L11**



**A1**

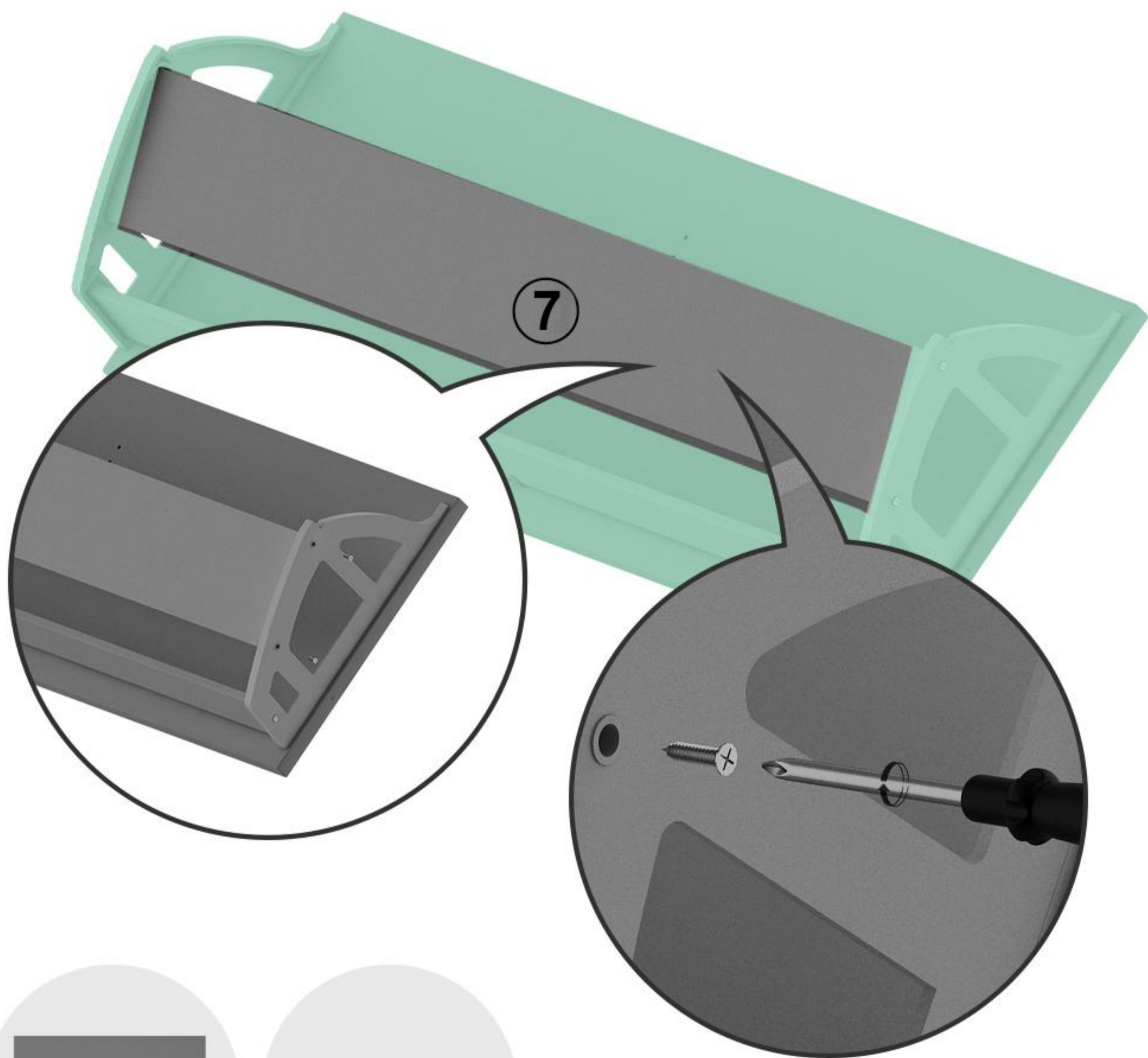
3



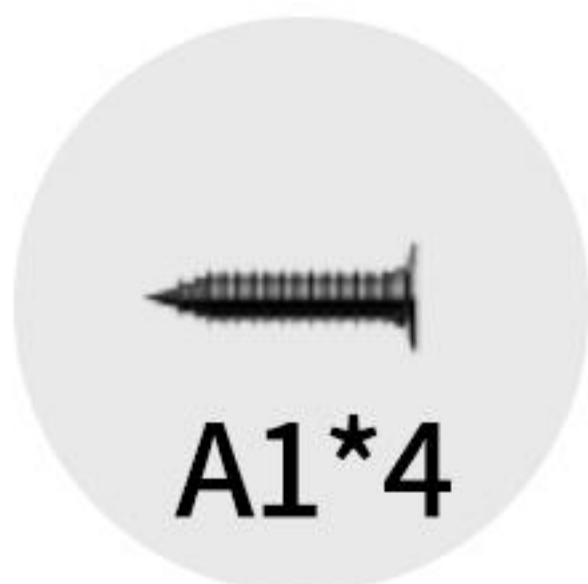
A1\*2



4

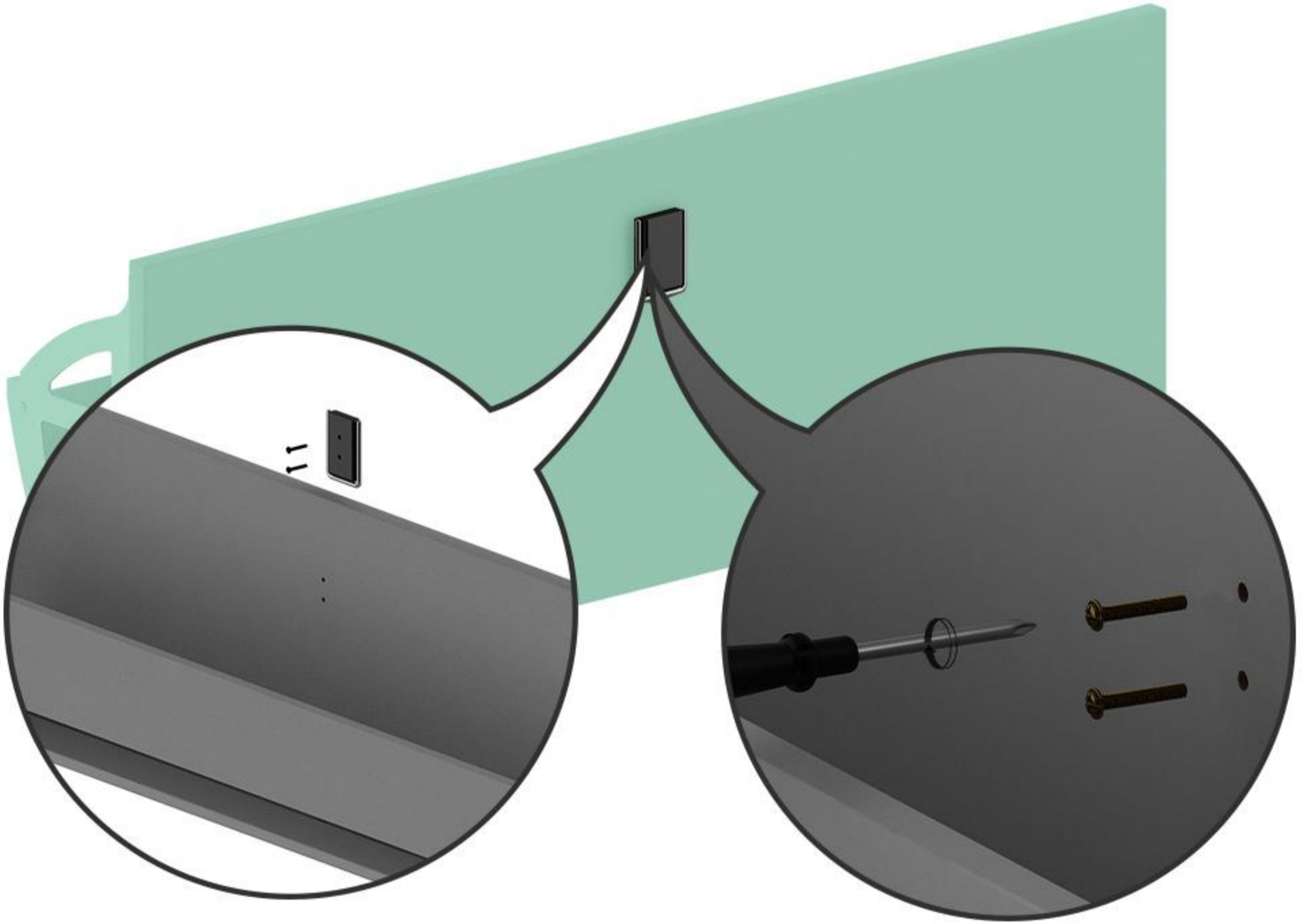


7



A1\*4

5



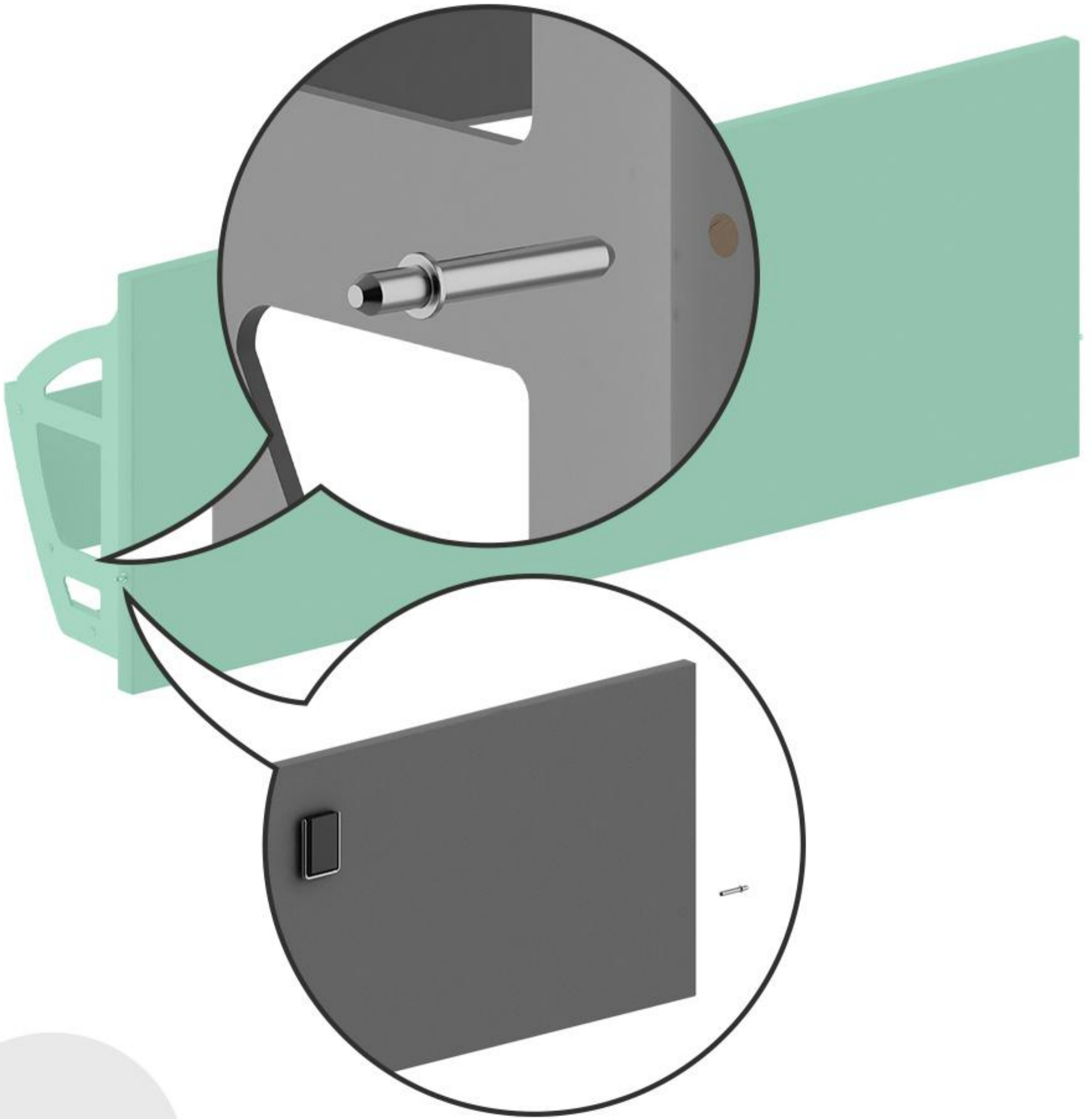
J62



B16\*2

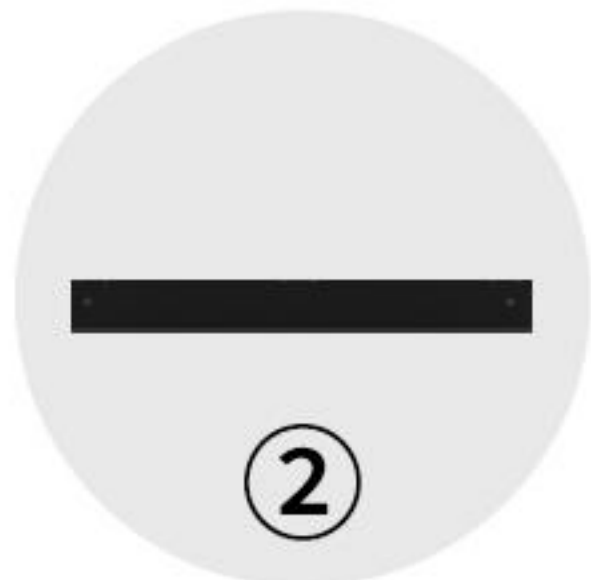
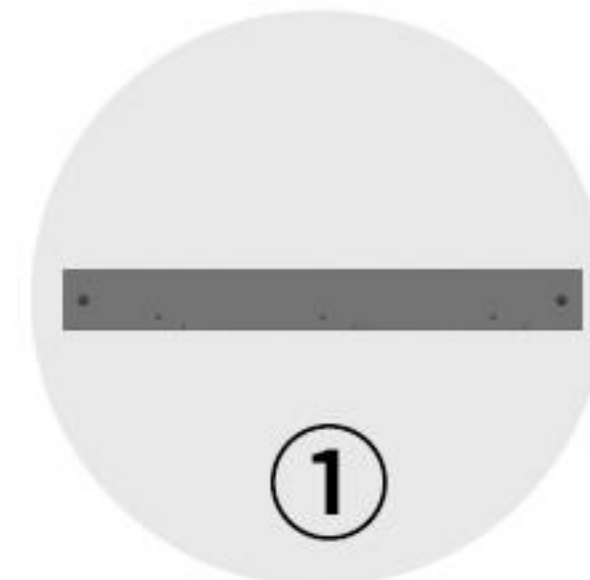
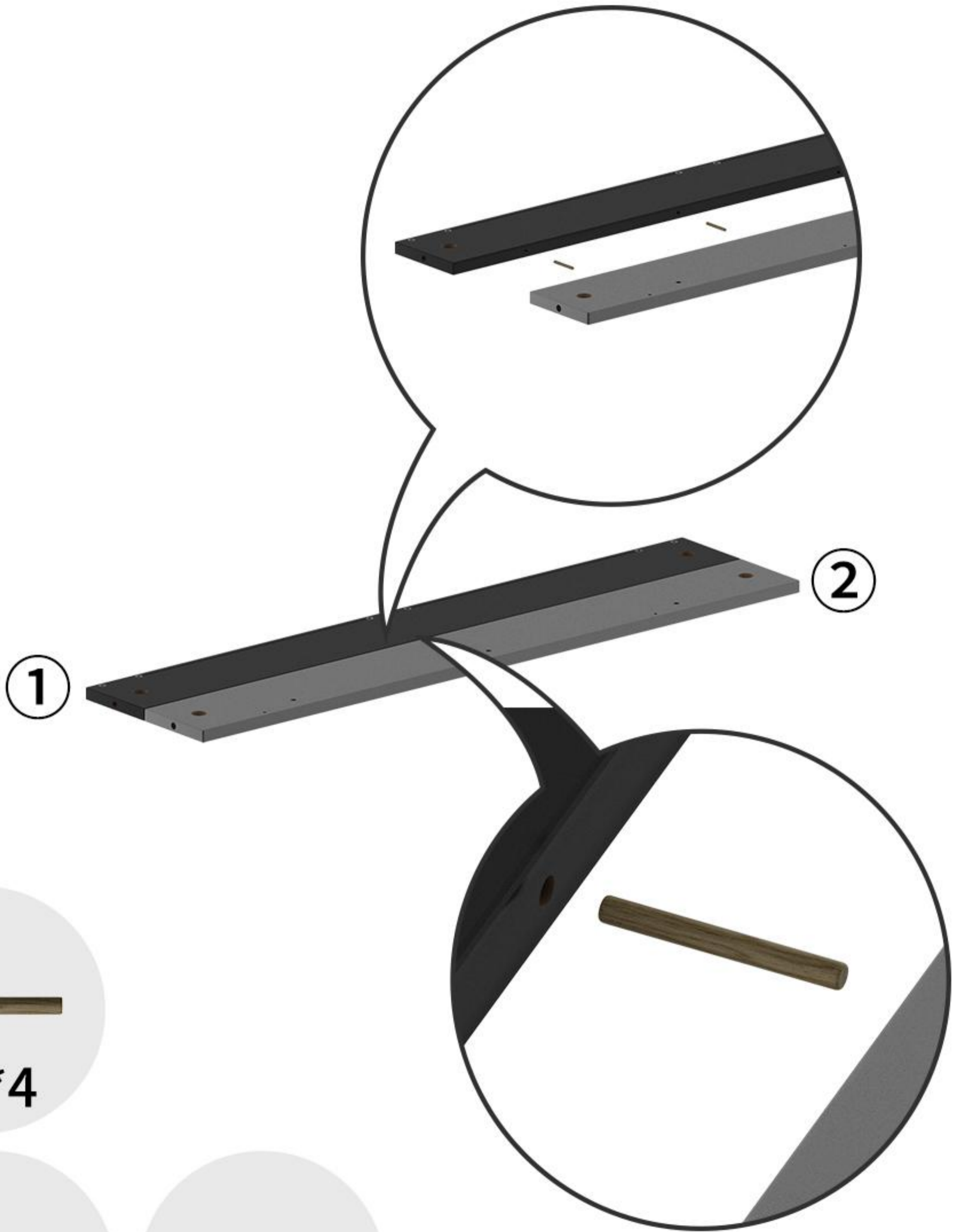


6



P10\*2

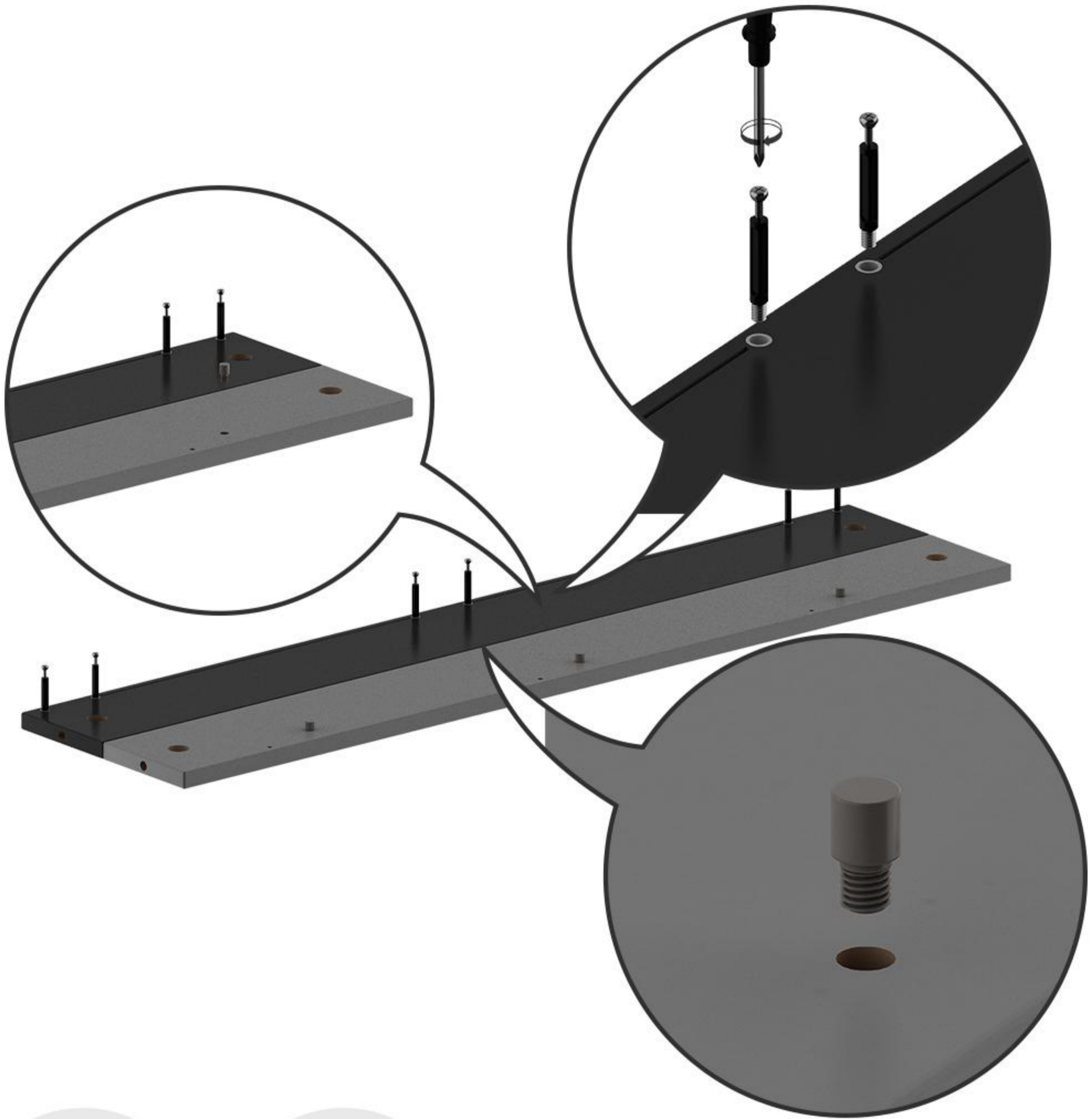
7





# 8

Repeat steps 8-9 for panels ③ and ④

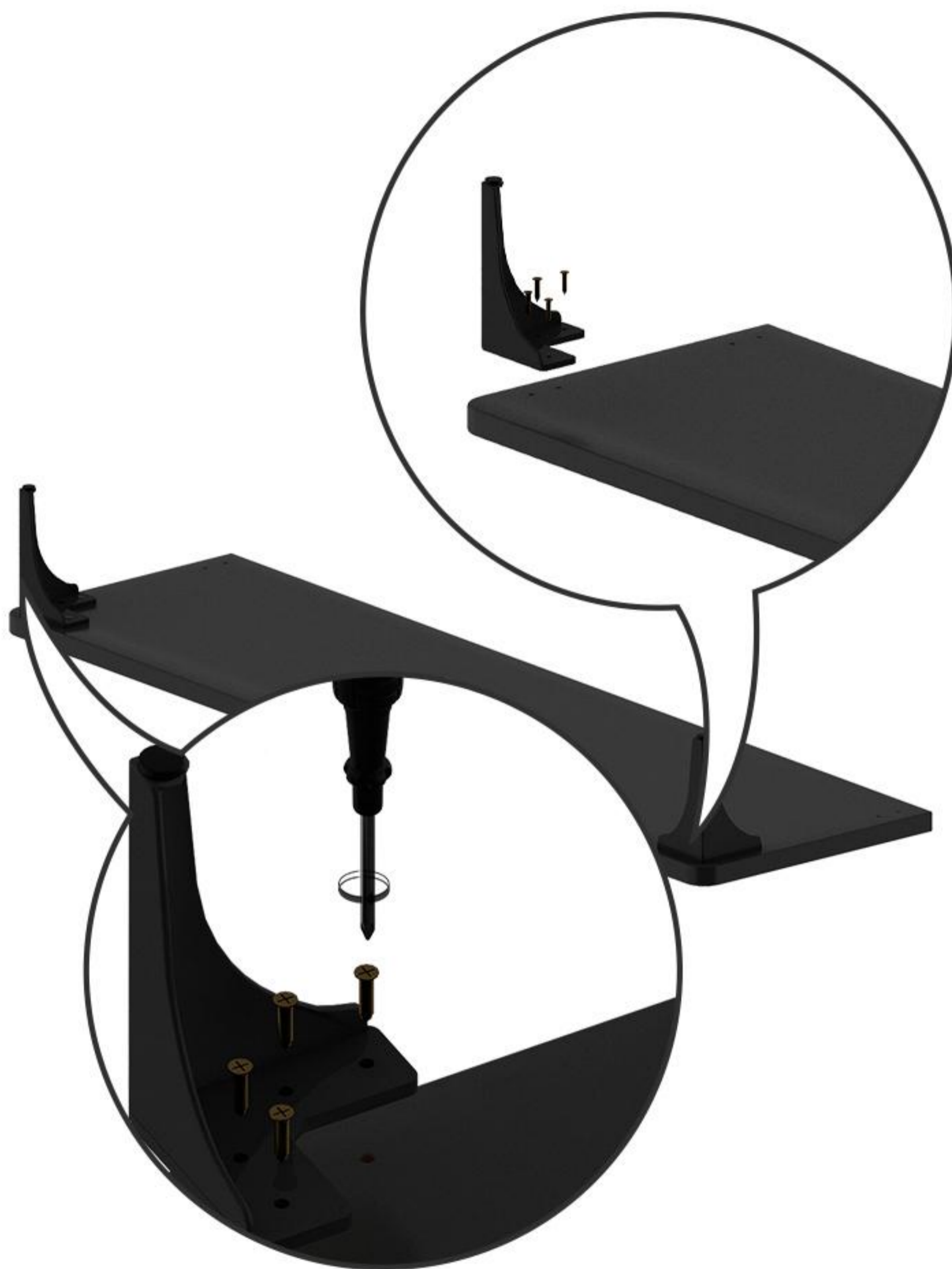


D1\*6



S15\*3

9



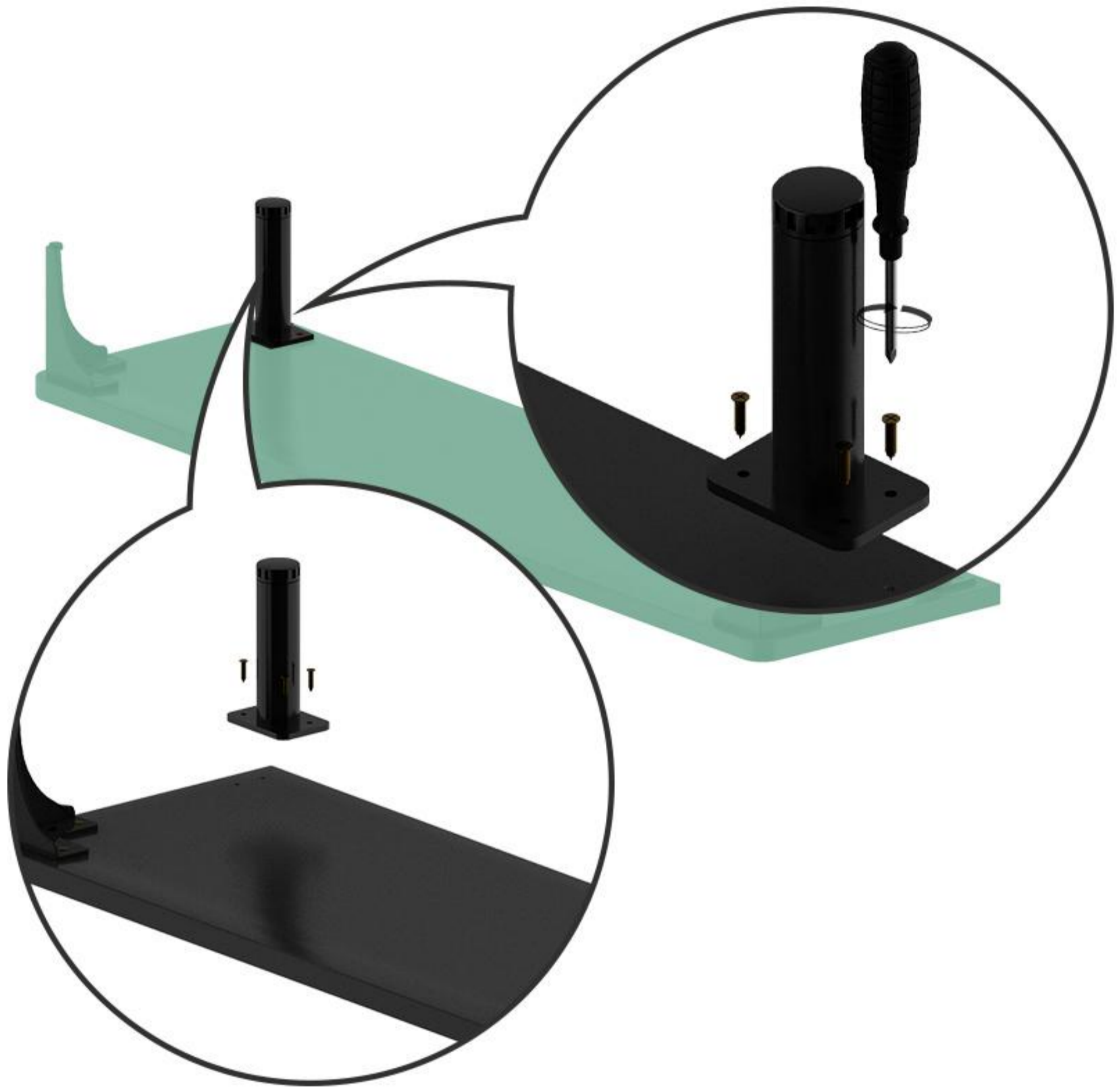
**B11\*8**



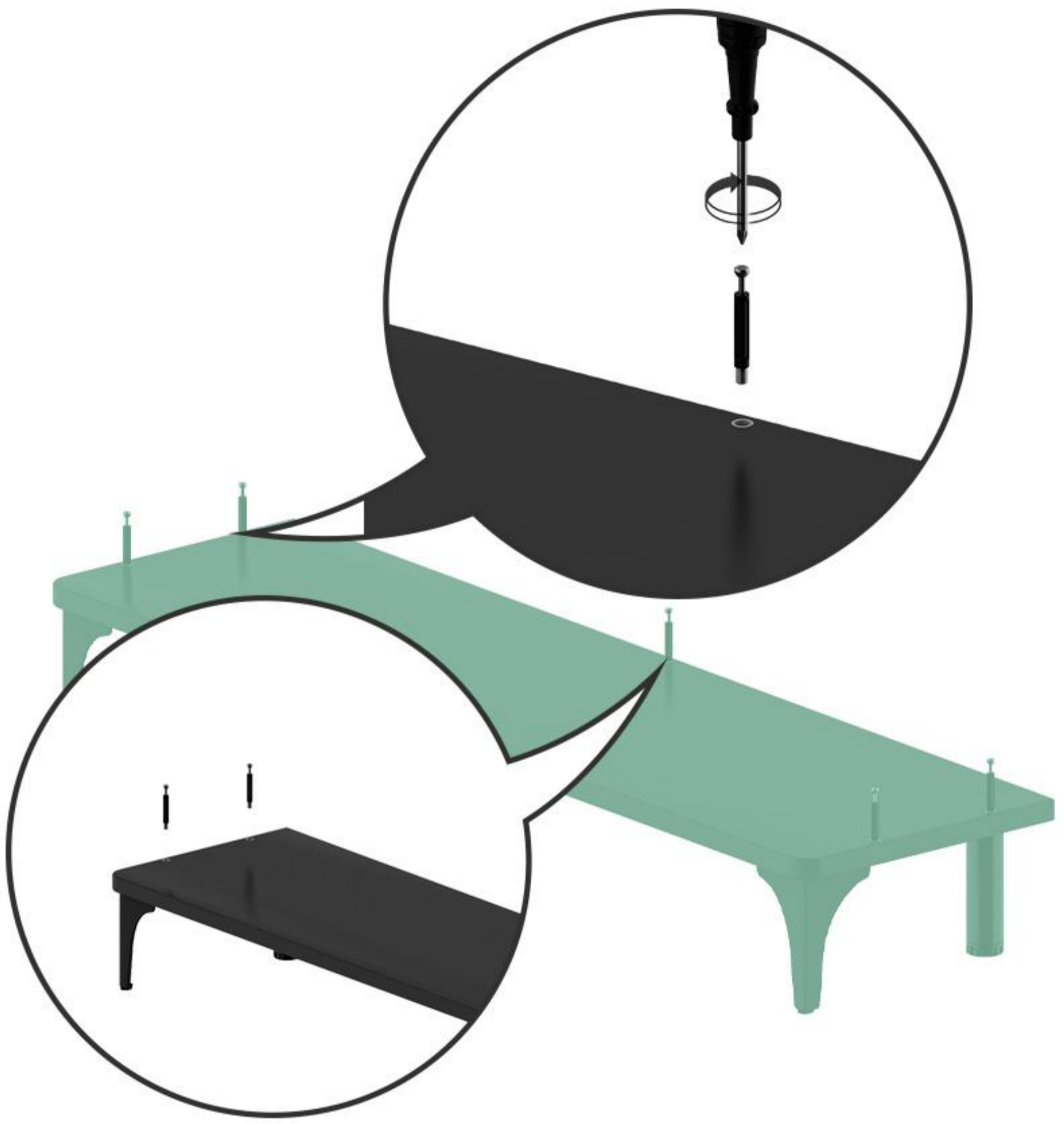
Tripod Legs



# 10

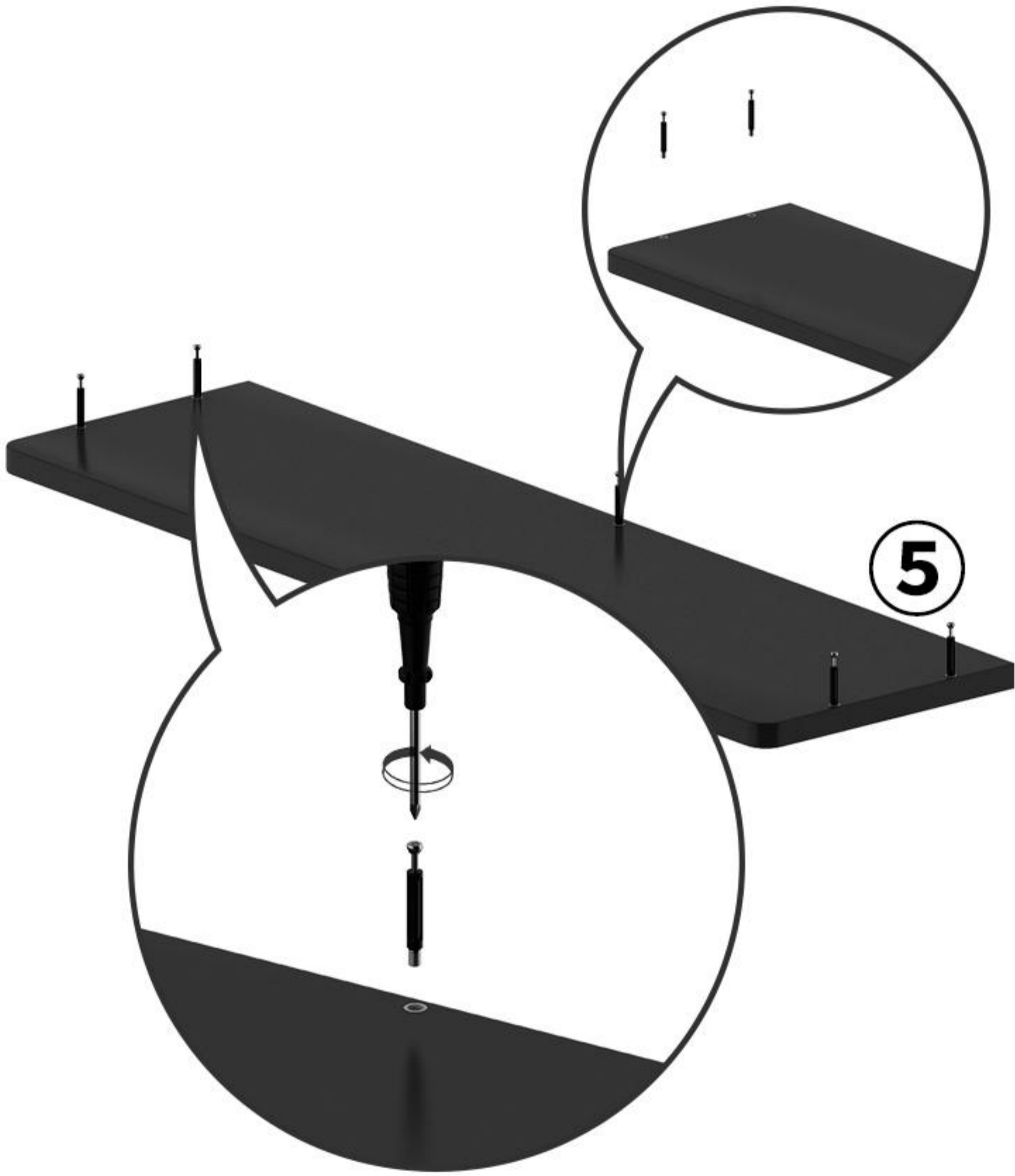


11



D1\*5

# 12



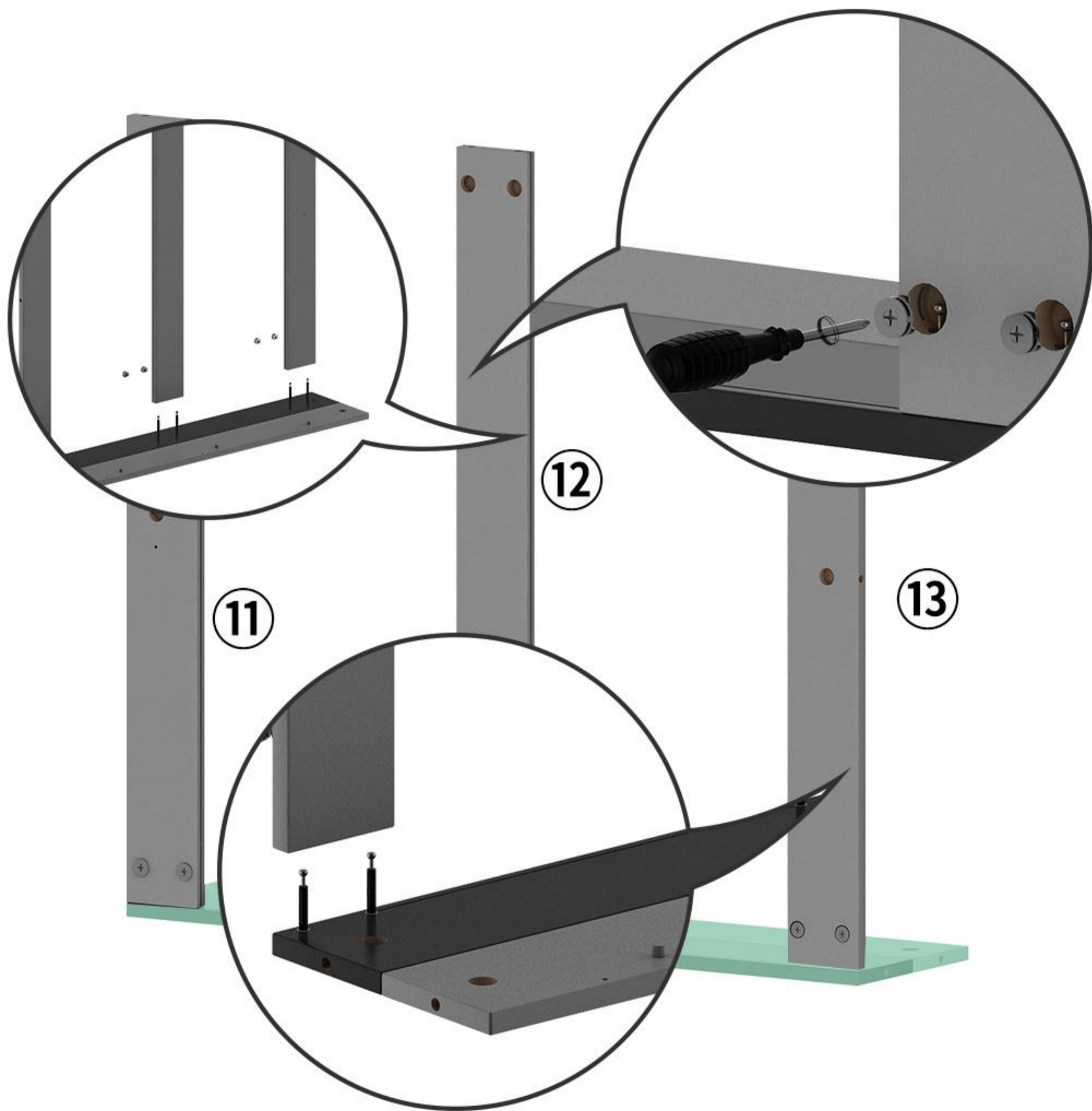
D1\*5



5



# 13



D1\*6



11

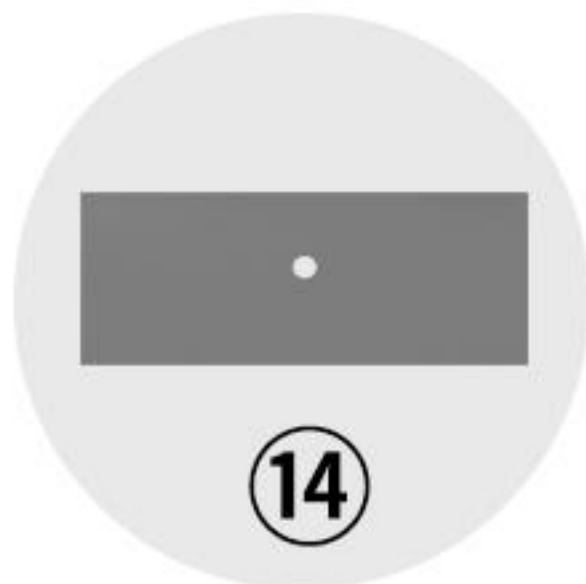
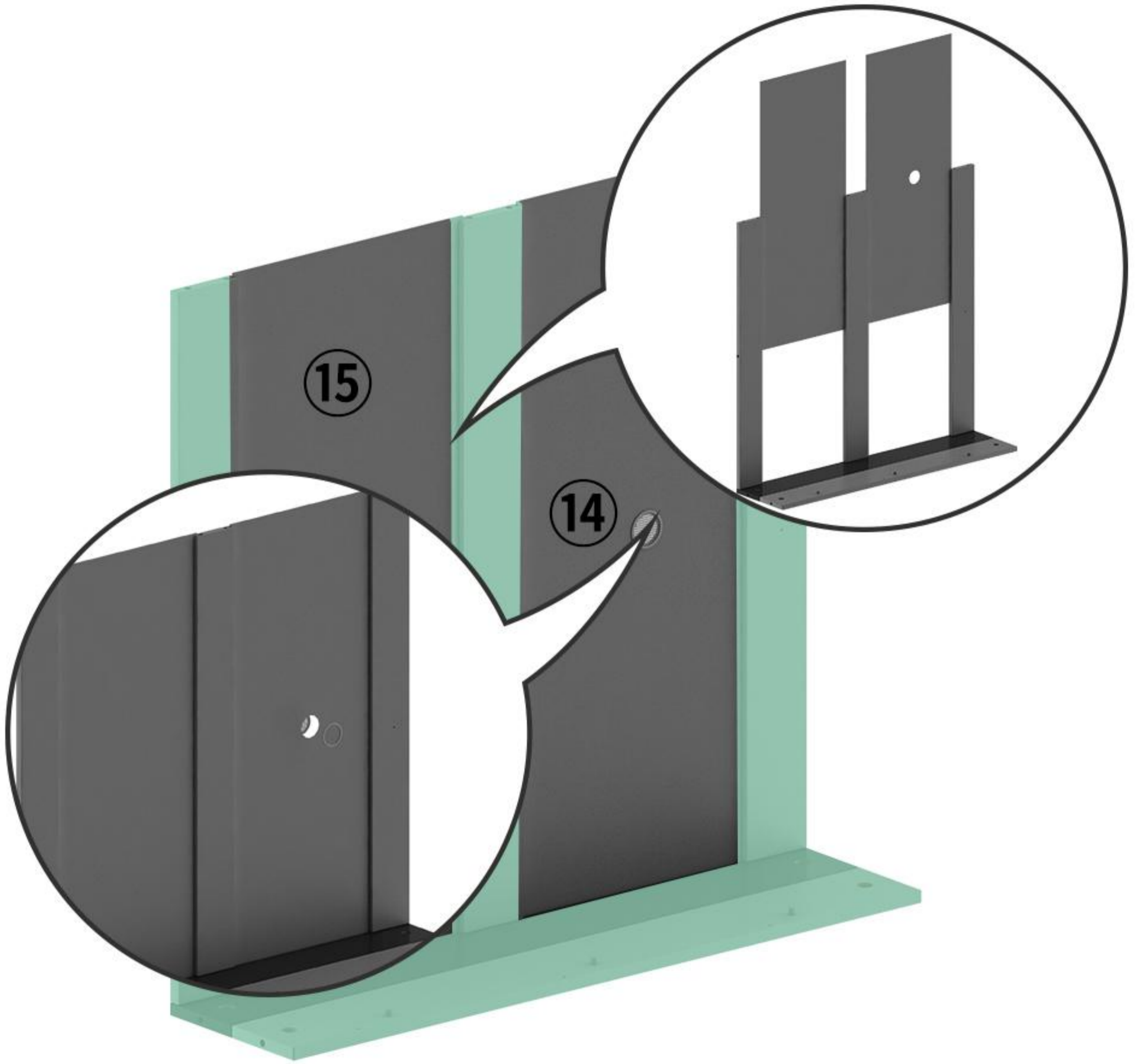


12



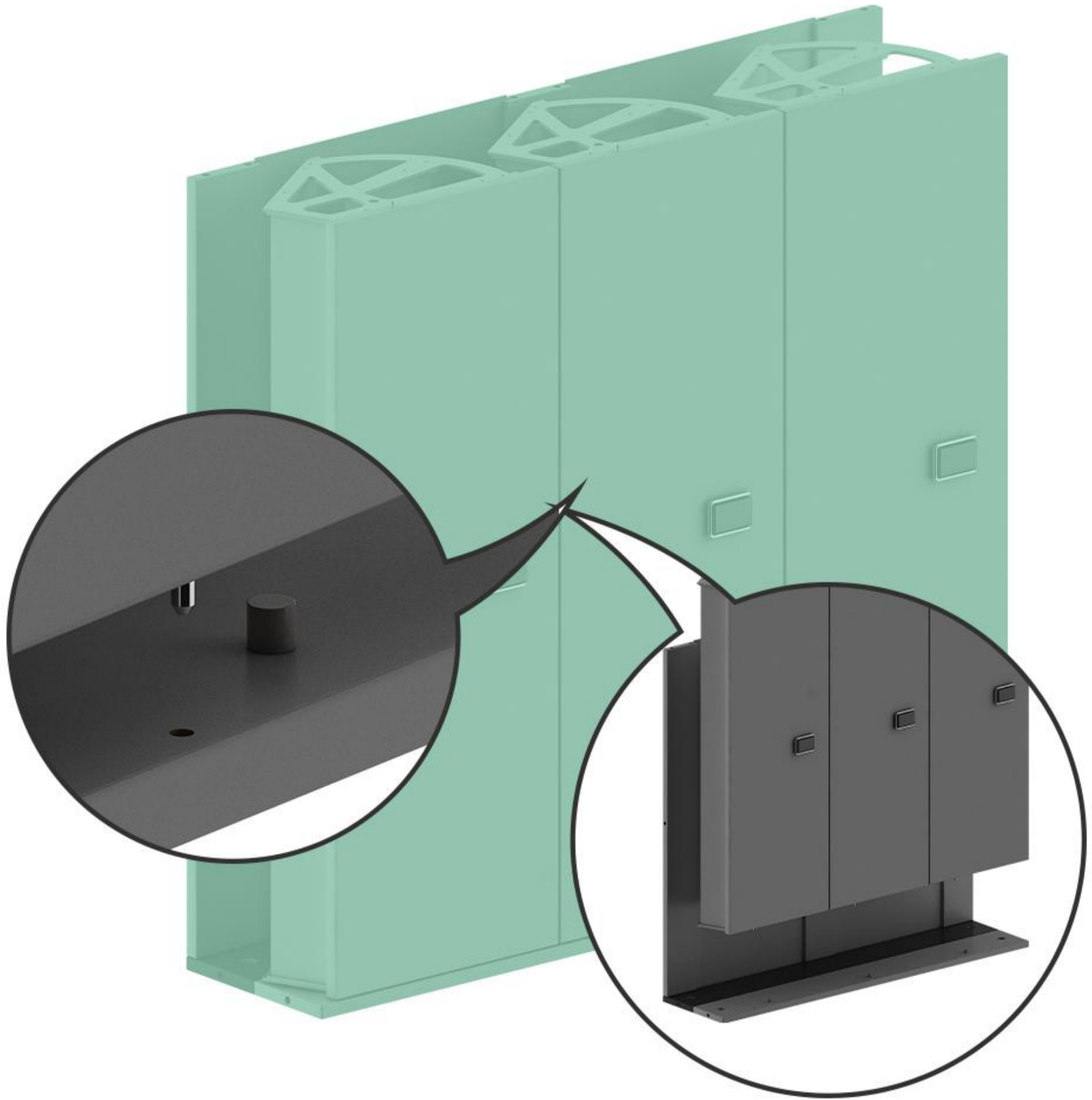
13

# 14



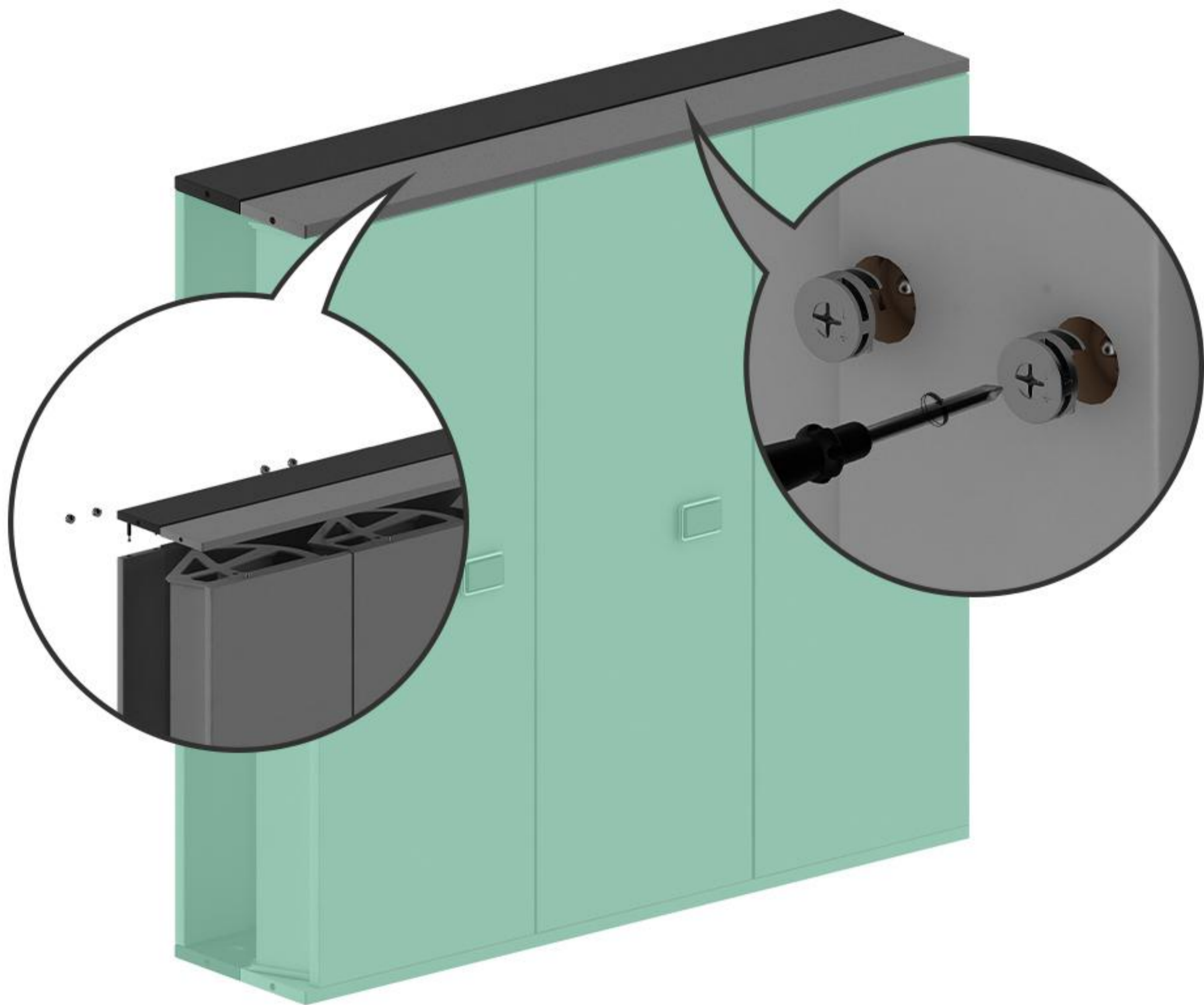
Board 14 and 15 are very **THIN** boards. They might be packaged at the very bottom of all the boards or under the foam boards.

15



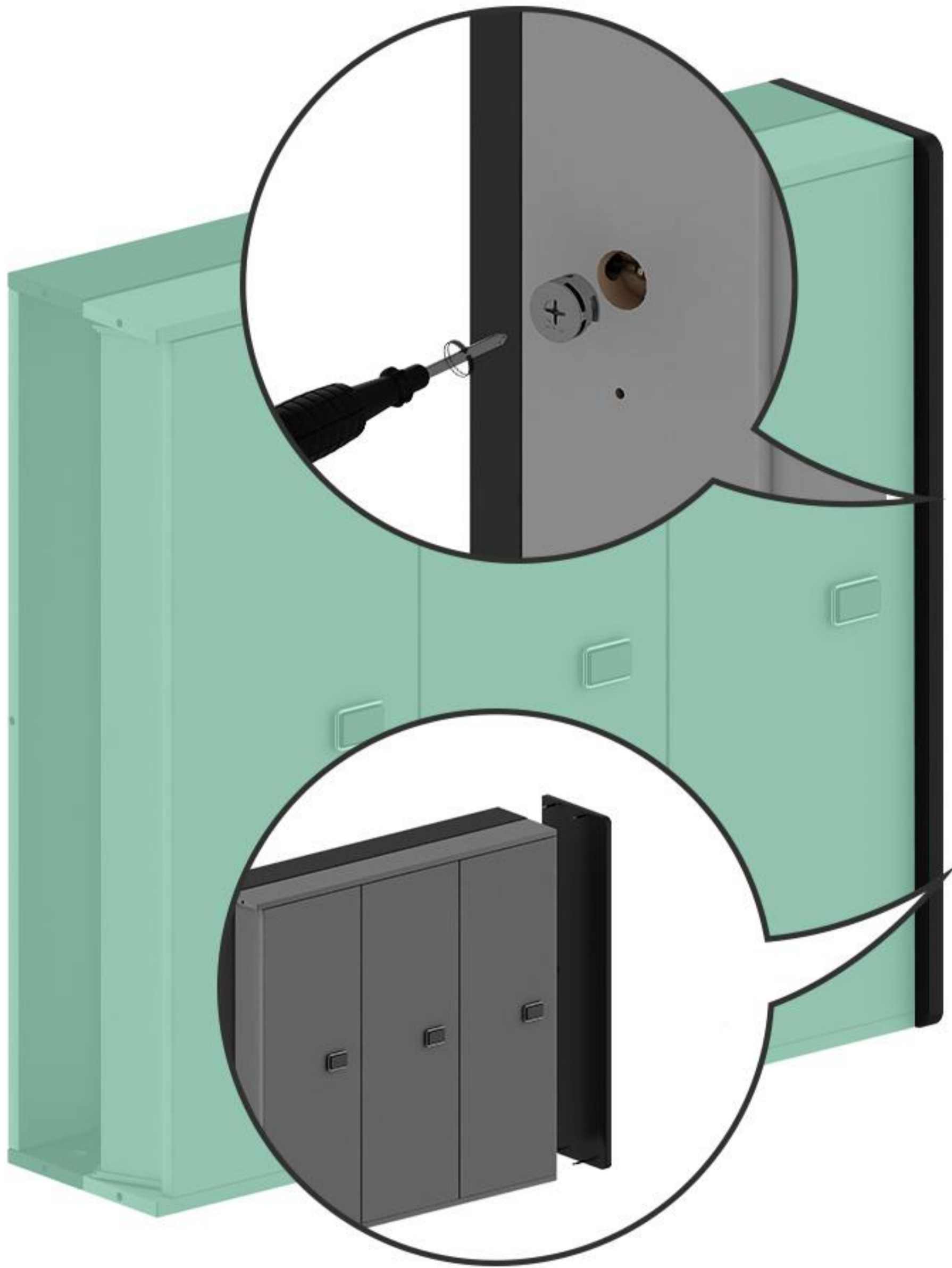


16



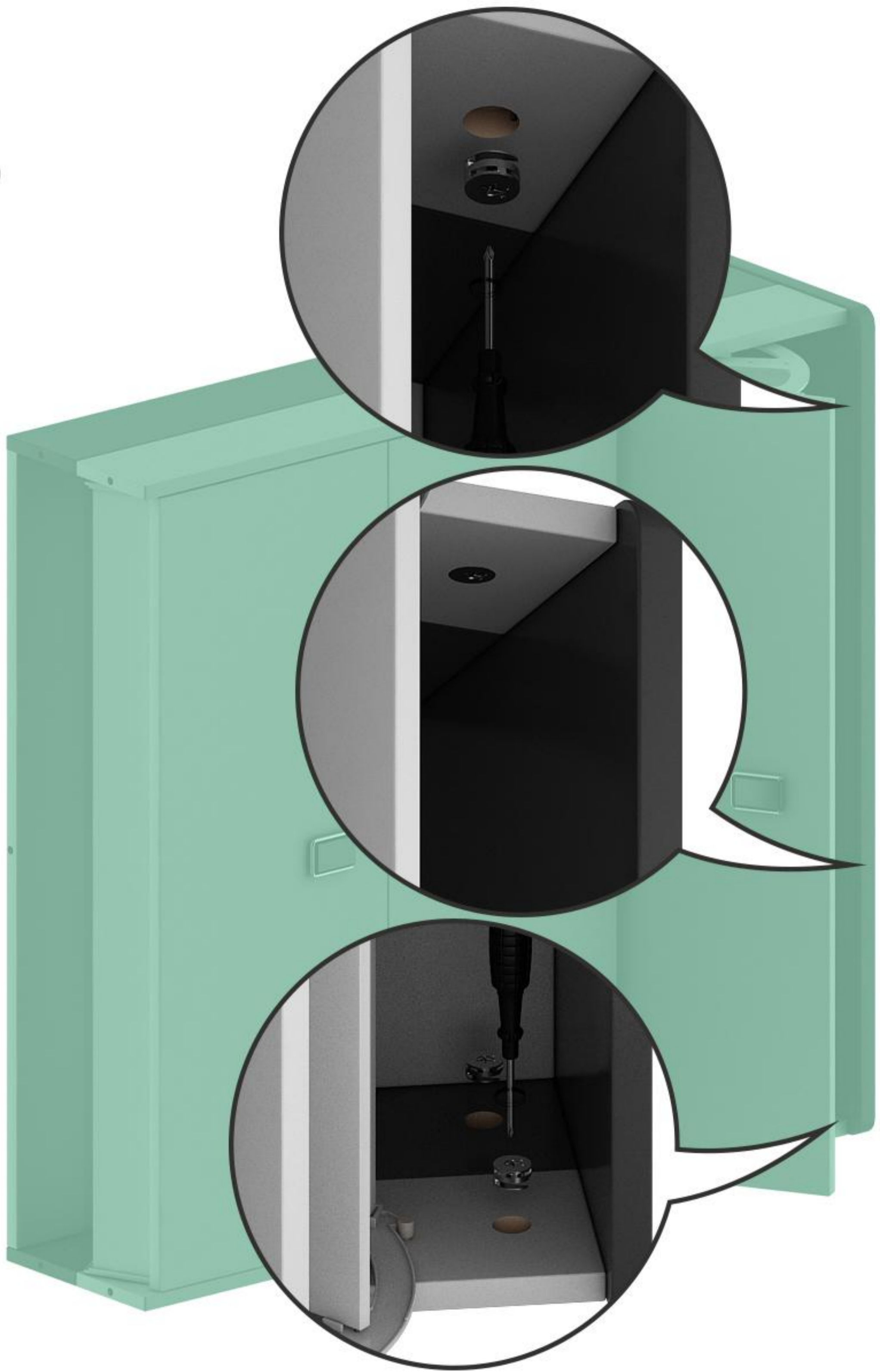
D1\*6

17



D1\*1

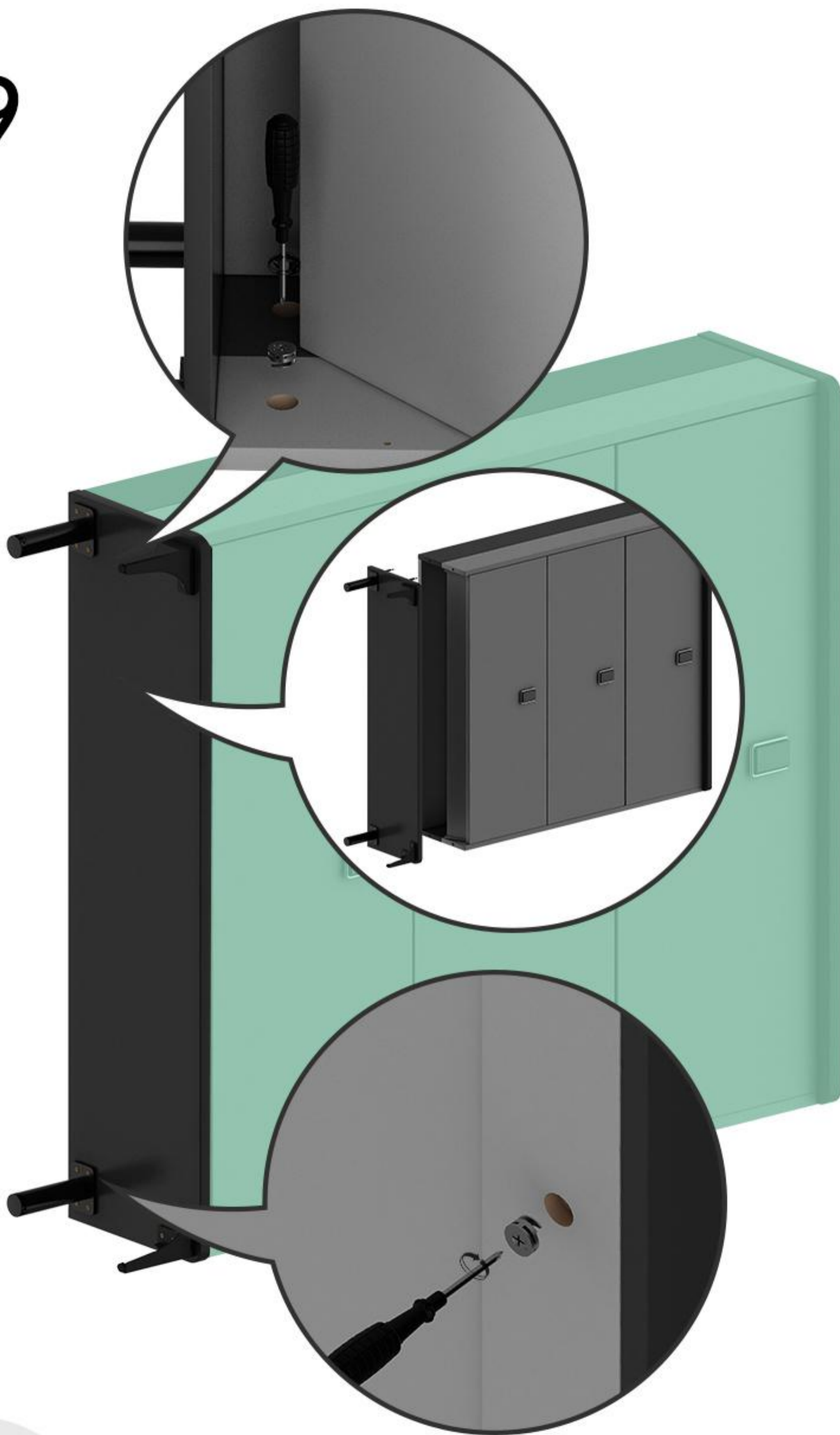
18



D1\*2

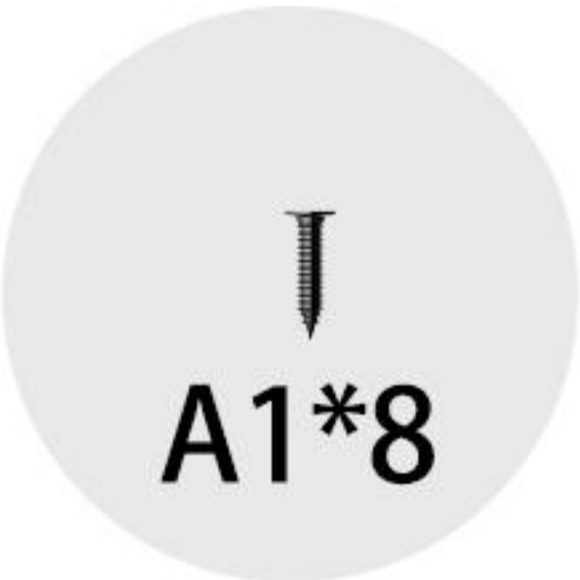
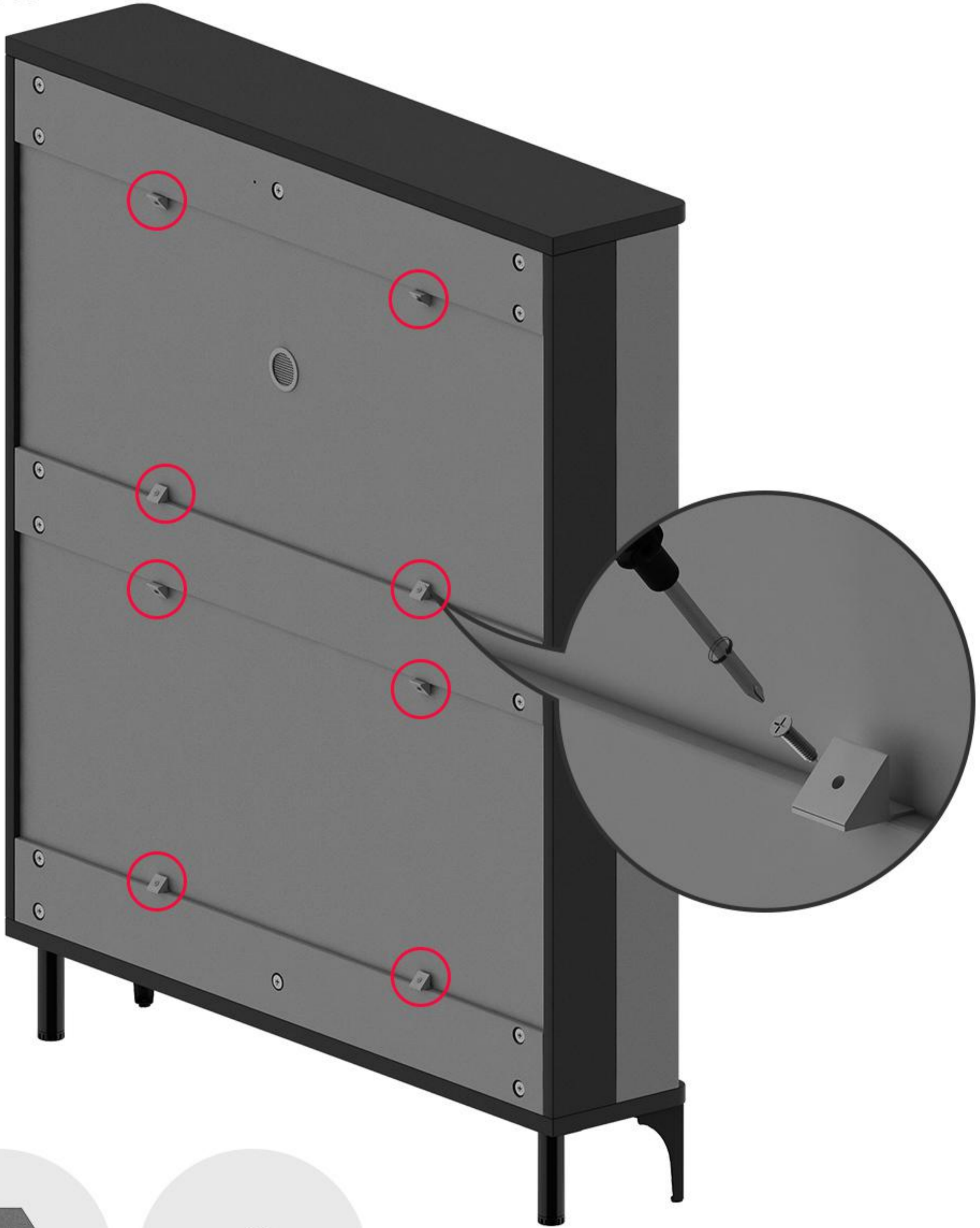


19



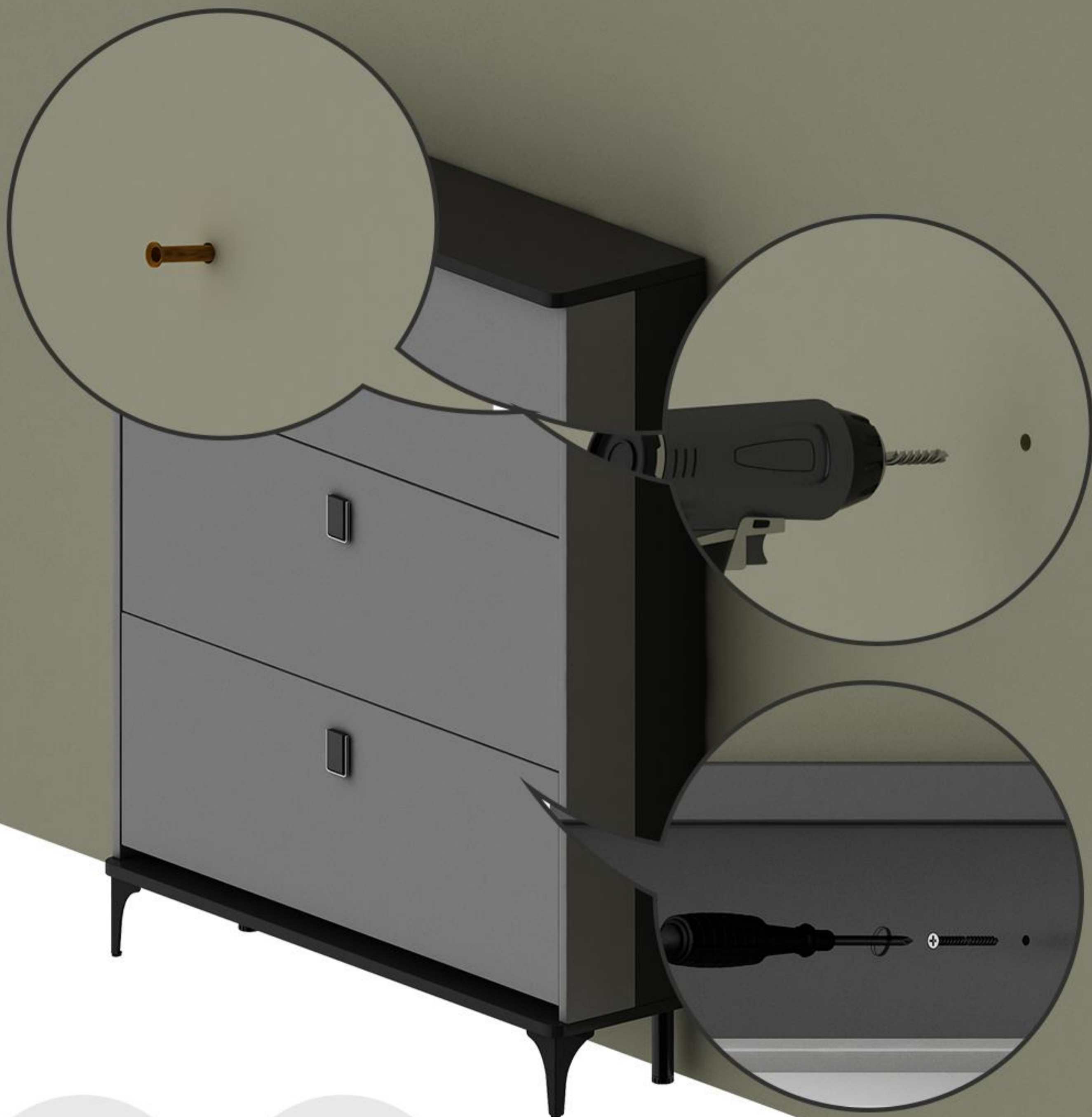
D1\*5

20



# 21

If needed, the shoe cabinet can be fixed to the wall. First, mark the positions on the wall.



**W9**



**B13**



22

