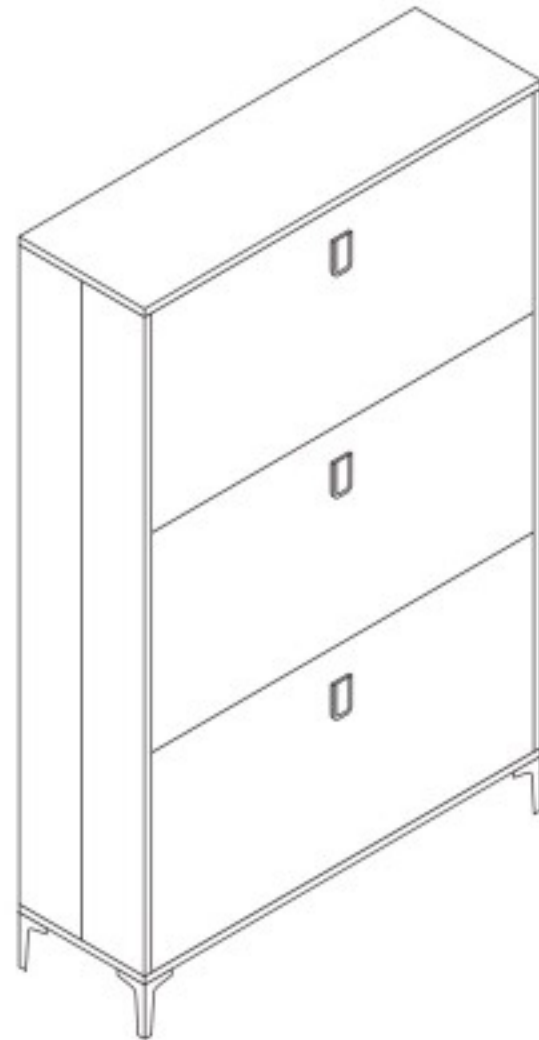










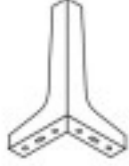



17 thick shoe cabinet installation instructions



Scan the QR code with your mobile phone to watch the product installation video

| | | | |
|---|--|--|--|
| <p>Three in one screw</p>  | <p>Three-in-one lock</p>  | <p>small screw</p>  | <p>brake</p>  |
| <p>The main screws of the cabinet are used with the lock</p> | | | |
| <p>handle screw</p>  | <p>handle</p>  | <p>Door shaft</p>  | <p>Back panel buckle</p>  |
| <p>Expansion screw</p>   | <p>Footing</p>  | <p>cork</p>  | |


Installation Precautions

1. First of all, make sure that all plates and parts are not damaged or missing parts.
2. Please be careful not to bump or scratch the surface of the panel during installation.
3. Please read this manual carefully before installation, and install in order.
4. Please use each accessory strictly according to the instructions.
5. When the slideway is used, it needs to be disassembled and divided into two parts. For the disassembly method, refer to the slideway instruction manual for details.
6. Please save the carton in case there is a problem. Query the product model and production batch printed on the outside of the packing box

post notes

1. After the installation is complete, please check whether the parts are installed and the lock is locked.
2. Check the overall stability of the cabinet to see if there is any serious shaking.
3. In the process of using the lock, do not use too much force to avoid damage to the lock, just turn it clockwise until it cannot be turned.

3 in 1 Instructions for use



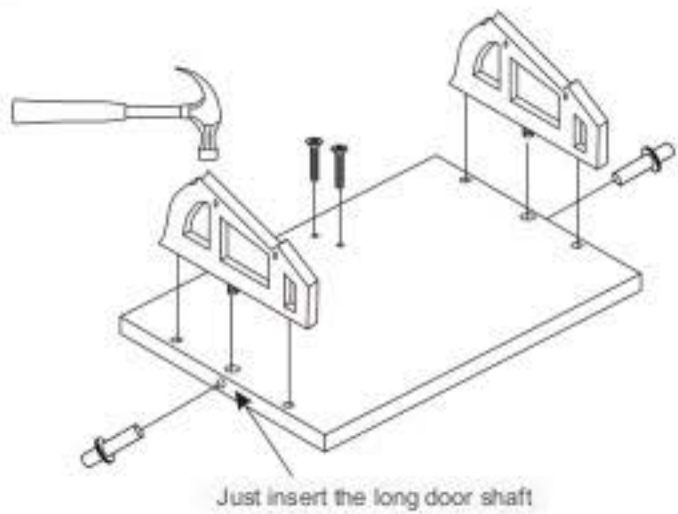
Q
Eccentric wheel!

screw

Embedded parts

1. Use a hammer or a hard object to knock the embedded part into the hole in the plank (diameter 10mm) to keep the depth consistent with the plank surface
2. Screw the screw into the embedded part.
3. Insert the installed screw into the corresponding hole on the other board, and press the eccentric wheel into the hole with a diameter of 15mm. Note that the cross arrows correspond to the side holes of this row.
4. Tighten the eccentric wheel clockwise with a Phillips

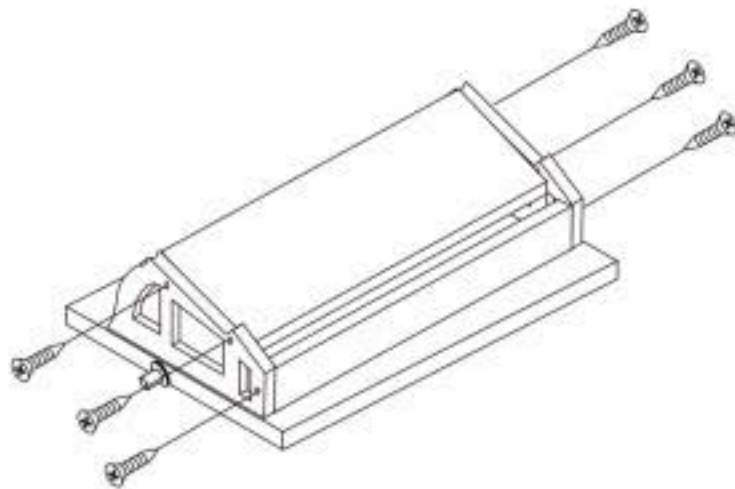
first step



Just insert the long door shaft

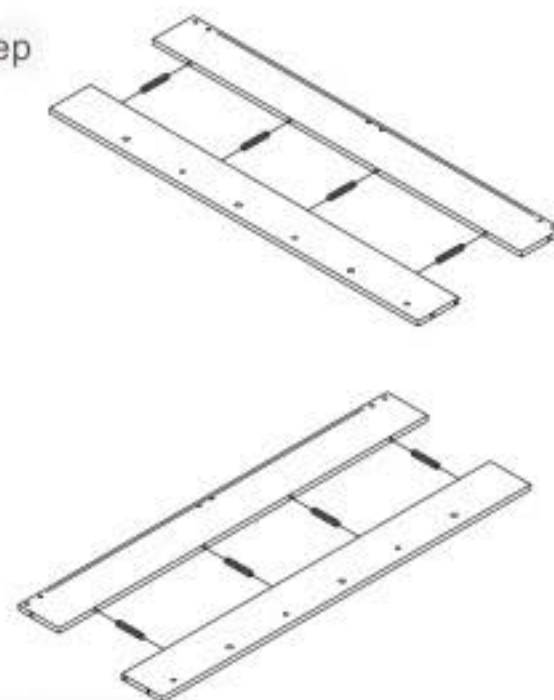
attach door panel bracket

second step



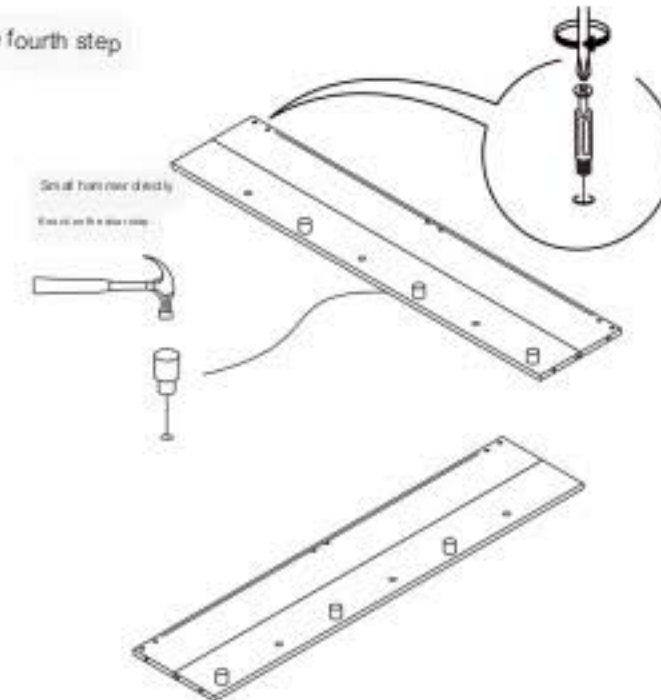
12mm small screws to install the laminate

third step



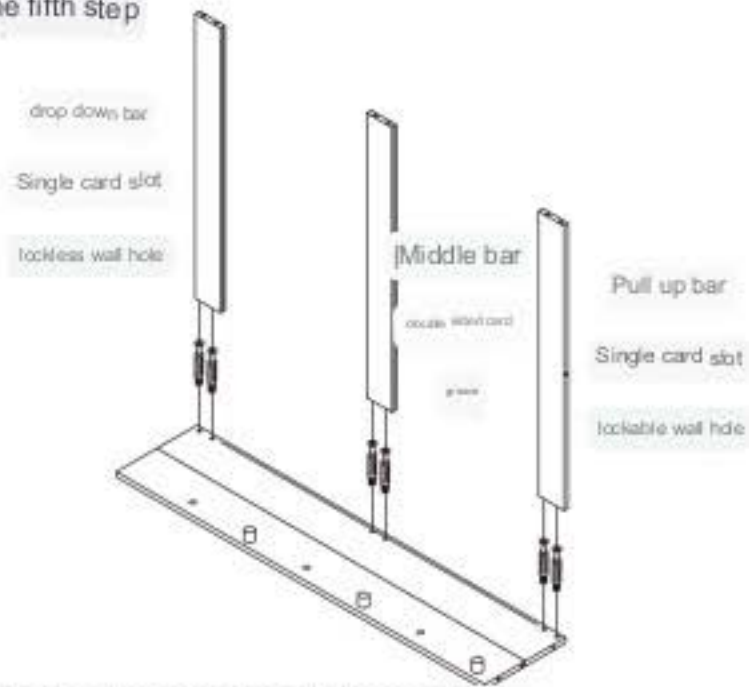
Wooden splicing side panel

the fourth step



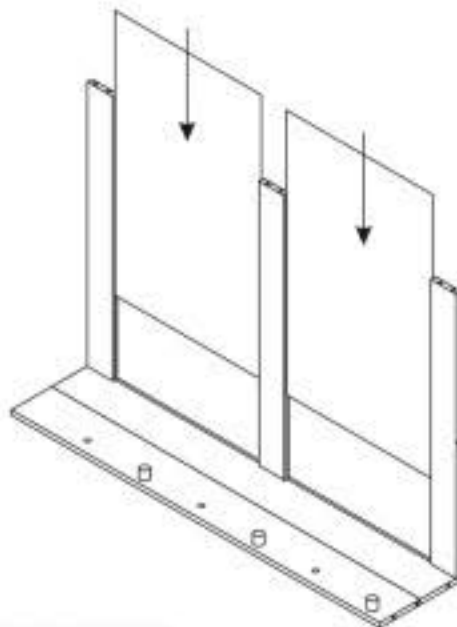
Side panel smashed into the door stop and screwed into the 3-in-1 screw

the fifth step



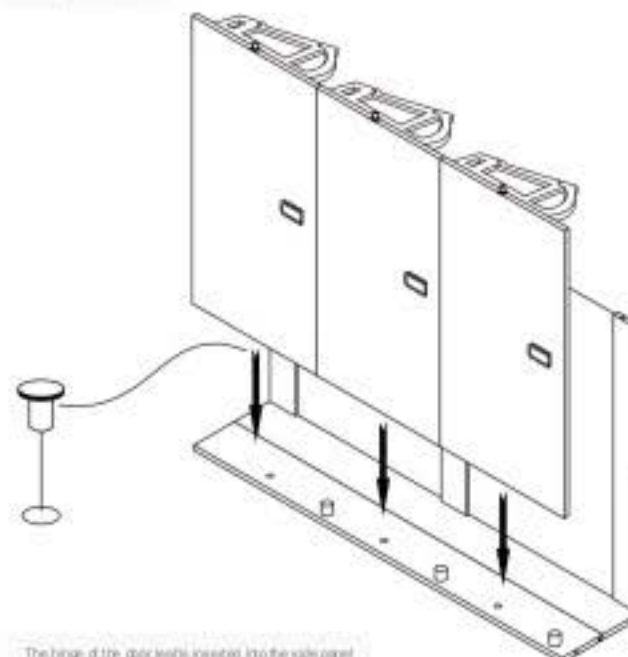
Align the screw and the card slot to install the rear panel brace

step six



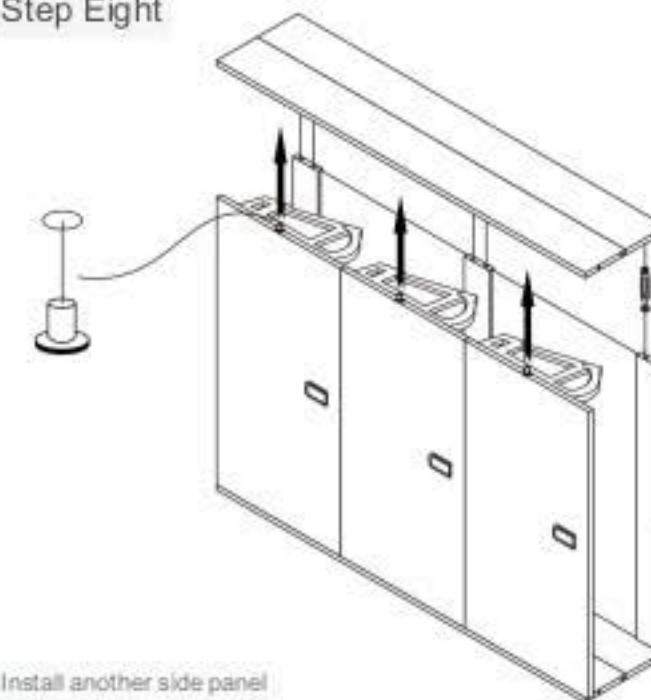
The back panel is inserted into the card slot

step seven



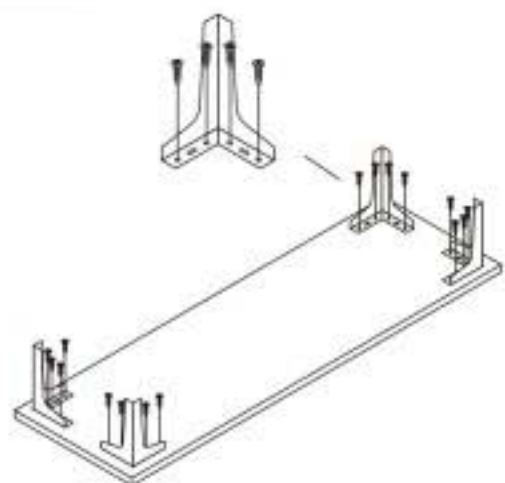
The hinge of the door units inserted into the side panel

Step Eight



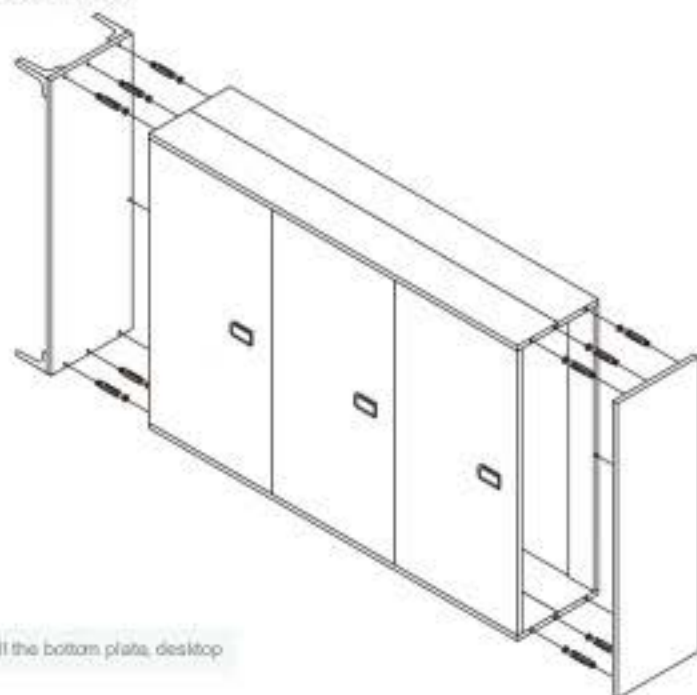
Install another side panel

Ninth step



Install the iron legs on the bottom plate

tenth step



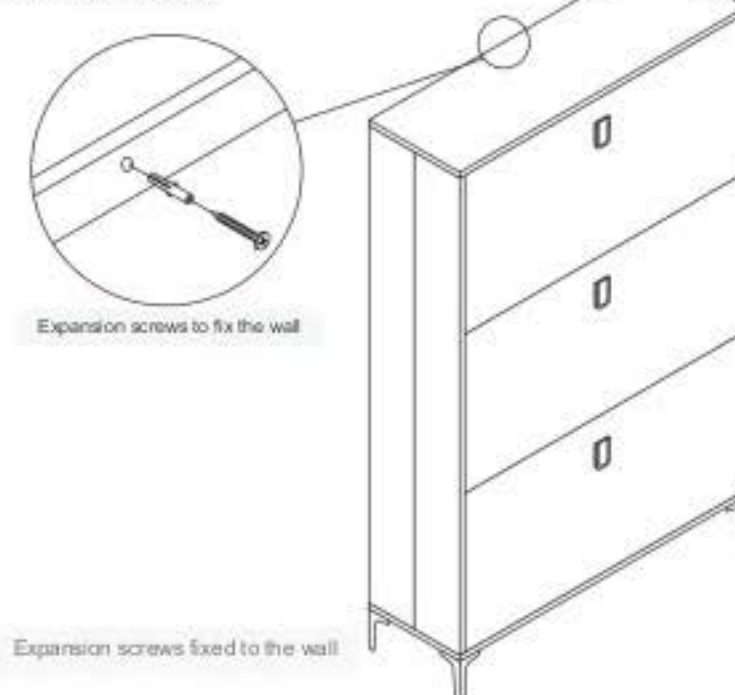
Install the bottom plate, desktop

Eleventh step



fixed back panel

Twelfth step



Expansion screws to fix the wall

Expansion screws fixed to the wall