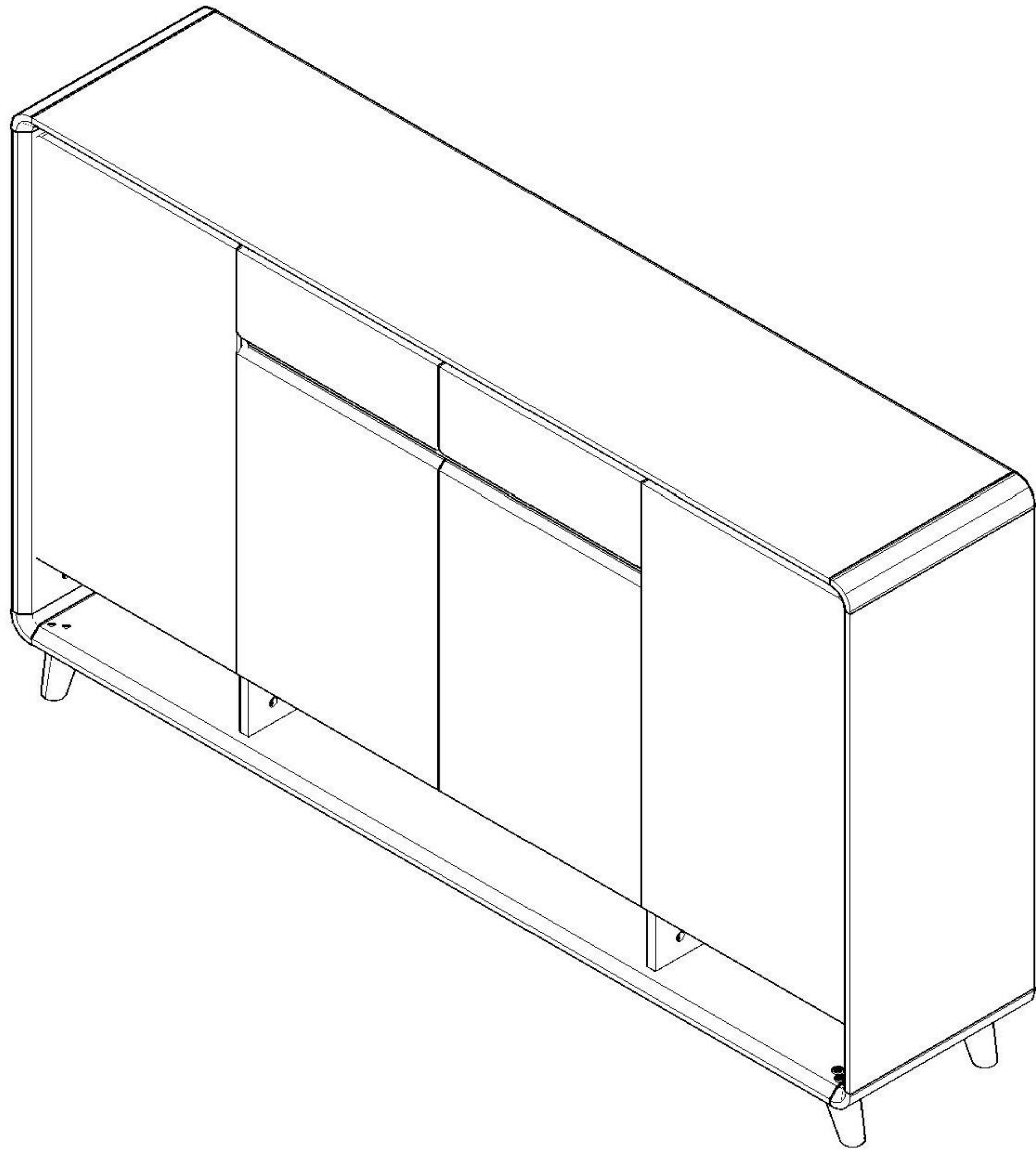


SOCE049-160CM

Installation Instruction



Please read this instruction manual carefully before installation and use.

Assembly notes:

1. First, make sure that all panels and parts are not damaged or missing.
2. During the installation process, be careful not to bump or scratch the panel surface.
3. Please read the instructions carefully before installation and install in order.
4. Please use each screw accessory strictly according to the instructions.
5. The slide needs to be split into two parts when in use. For the splitting method, see the slide instructions.
6. Please keep the packaging box in case of any problems. You can check the product model and production batch number printed on the outside of the packaging box.



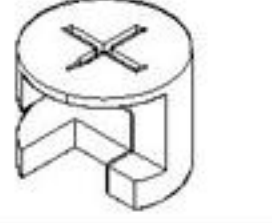
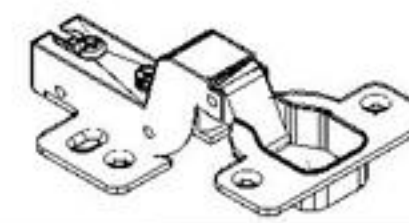

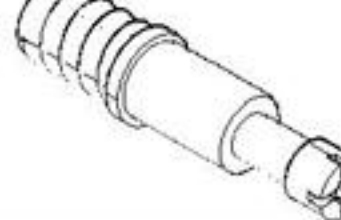

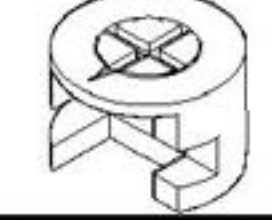

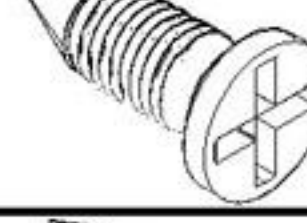
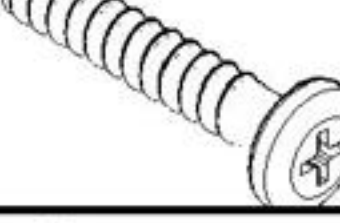




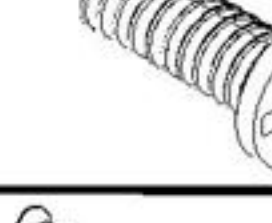
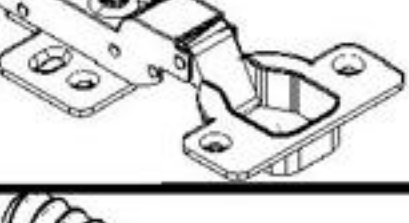

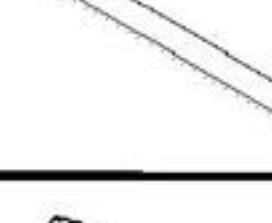
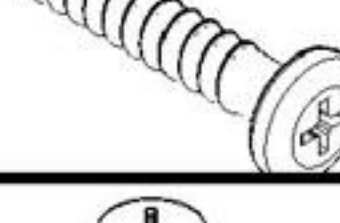


Precautions after assembly:

1. After installation, check whether all parts are installed and the locks are locked.
2. Check the overall stability of the cabinet to see if there is any vibration.
3. When using the lock, do not use excessive force to avoid damage to the lock. Just turn it clockwise until it cannot turn.



Please be sure to use a manual screwdriver and refrain from using an electric drill.

Hardware List

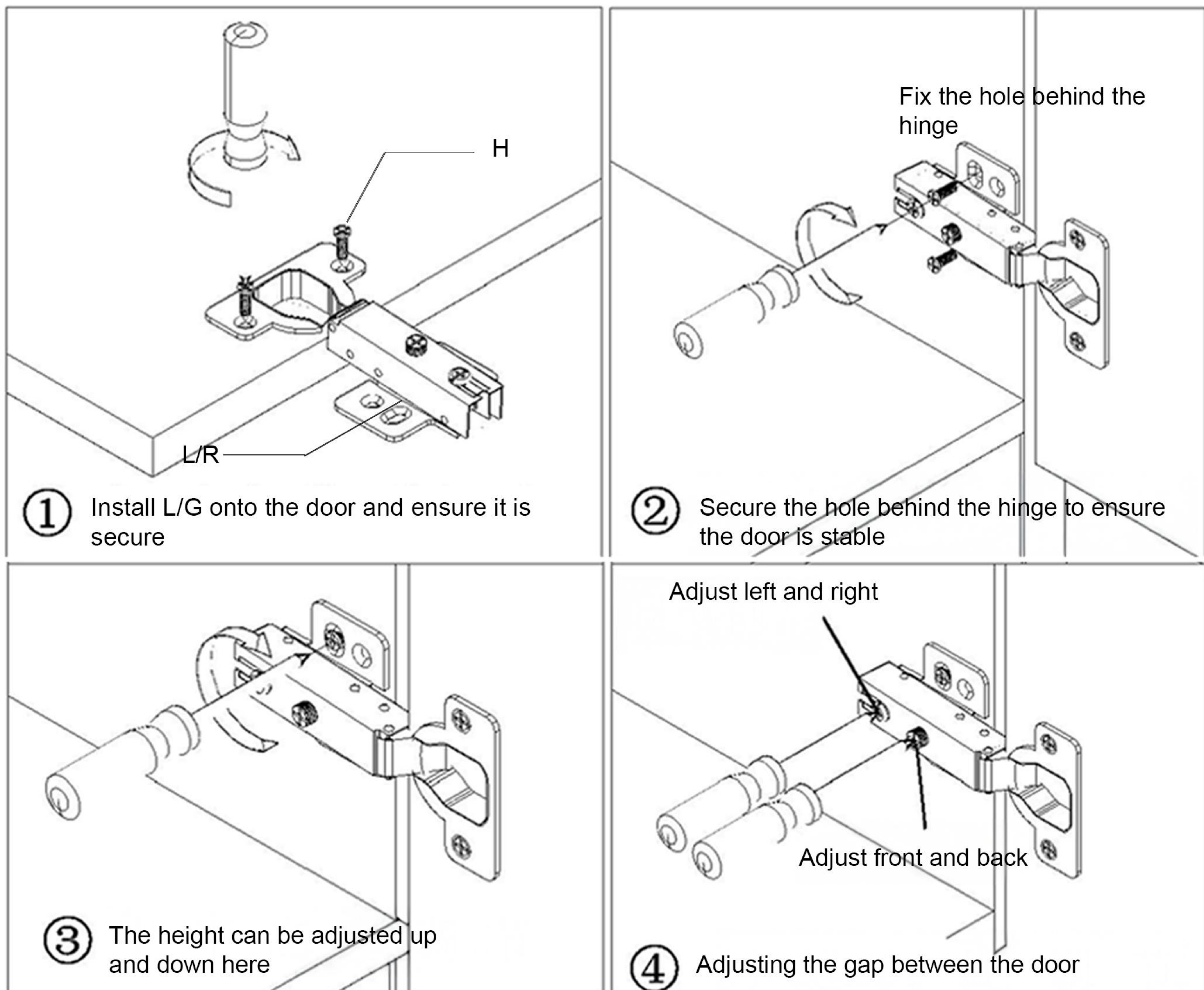
Accessory Appearance	Code	Dimensions	Numbers	Unit	Accessory Appearance	Code	Dimensions	Numbers	Unit
	A	∅7*40mm	42	Piece		K	120mmHeight	4	Piece
	B	∅15*12mm	50	Piece		L	Different hinge angles 	2	Pair
	C	∅5*15mm	16	Piece		M	∅5*20mm	44	Piece
	D	∅12*10mm	16	Piece		N	∅60mm	2	Piece
	E	∅3.5*12mm	16	Piece		O	M6*40mm	10	Piece
	F	∅3.5*40mm	8	Piece		P	∅8*40mm	18	Piece
	G	250mmLength	2	Pair		Q	∅6*40mm	8	Piece
	H	∅3.5*14mm	48	Piece		R	Different hinge angles 	2	Pair
	I	∅6*80mm	4	Piece		S	M6*30mm	18	Piece
	J	∅7*38mm	4	Piece		T	120mmHeight	2	Piece

BoardMaterial List

Code	Dimensions	Numbers	Code	Dimensions	Numbers
①	351*38*38	4	⑪	386*699*15	2
②	1522.5*348*23	1	⑫	386*538.5*15	2
③	1522.5*348*23	1	⑬	386*140.5*15	2
④	792.5*348*23	2	⑭	250*88*15	4
⑤	759.5*60*15	1	⑮	318*88*15	2
⑥	120.5*297*15	1	⑯	330*244*4	2
⑦	684.5*297*15	2	⑰	1550.5*297*15	1
⑧	758.5*280*12	3	⑱	120.5*297*15	2
⑨	378*280*12	8	⑲	1522.5*48.5*23	2
⑩	1550.5*272.7*12	3	⑳	223.5*48.5*23	2

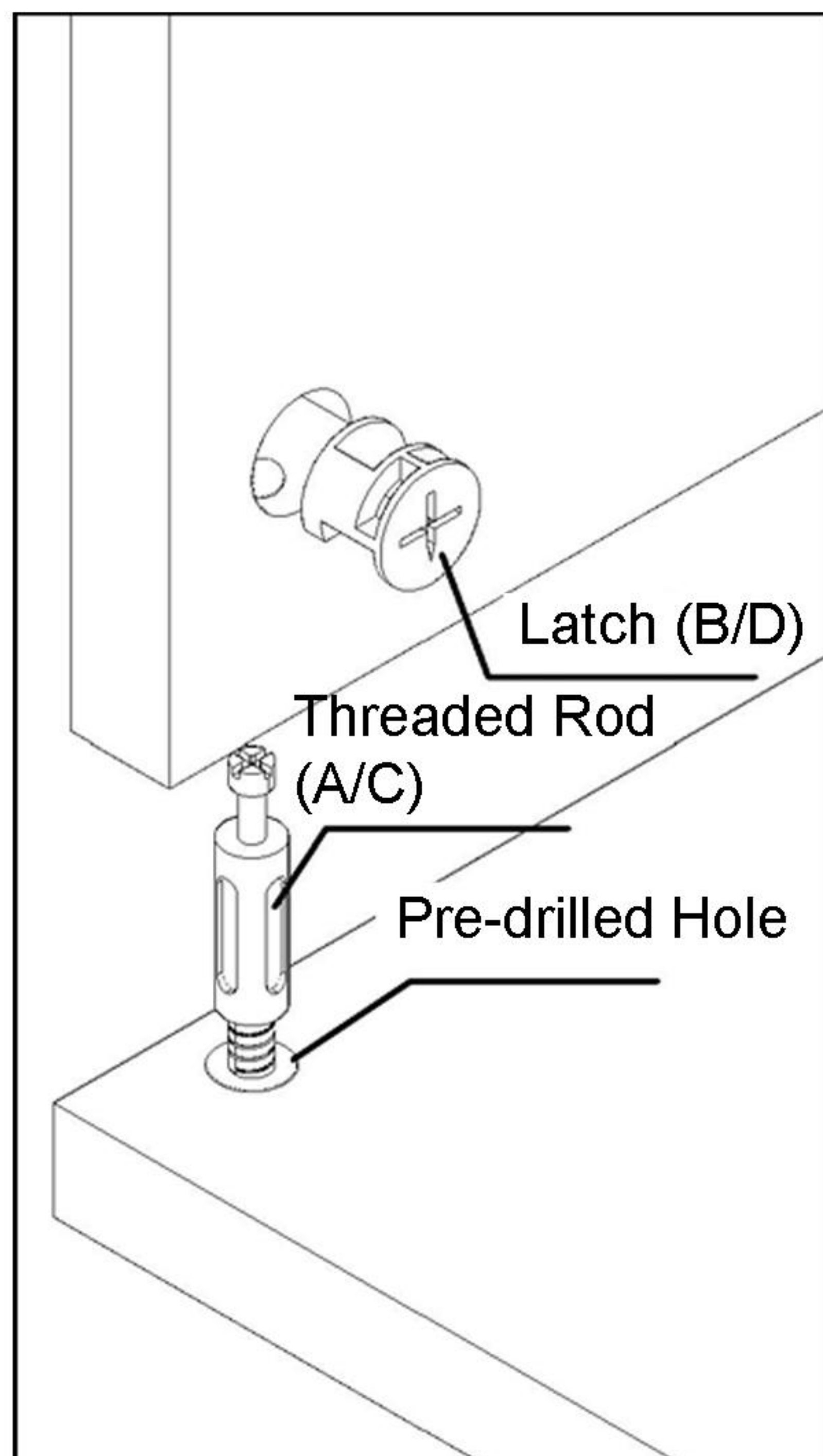
Detailed description of the main components, please read carefully

L / R (Hinge) Installation Instructions Install the hinge with screw H



Installation Guide: Threaded Rod, Latch, Pre-drilled Hole

A + B is large, C + D is small

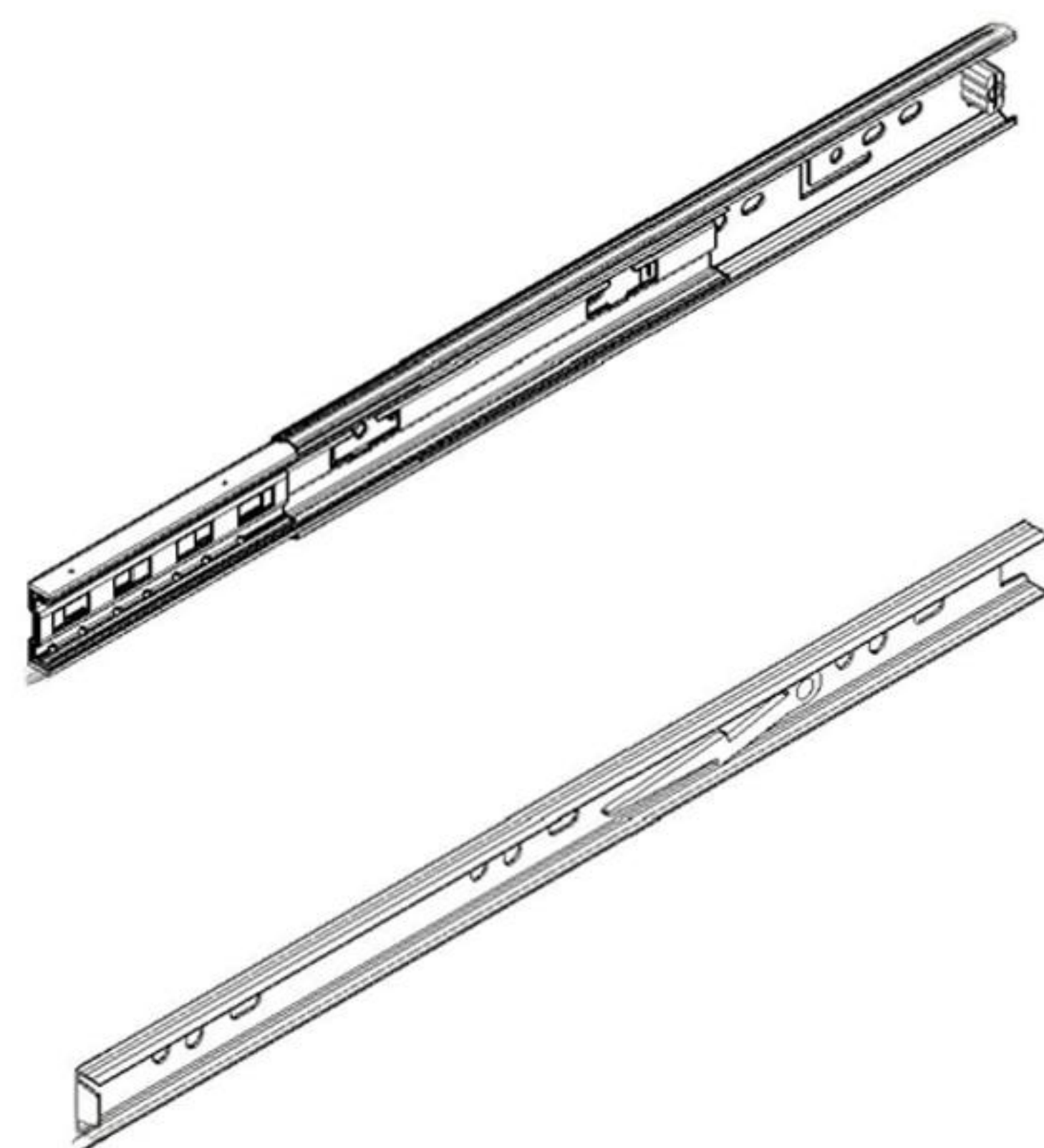


1. Screw the A/C (Threaded Rod) into the Pre-drilled Hole
2. Insert the installed A/C into the corresponding hole of the other piece. Press B/D (Latch) into the hole. Note that the cross arrow corresponds to the insertion direction of the Threaded Rod.
3. Use a cross screwdriver to tighten Latch clockwise. Be careful not to use excessive force.

G (Sliding Rail) Installation Instructions

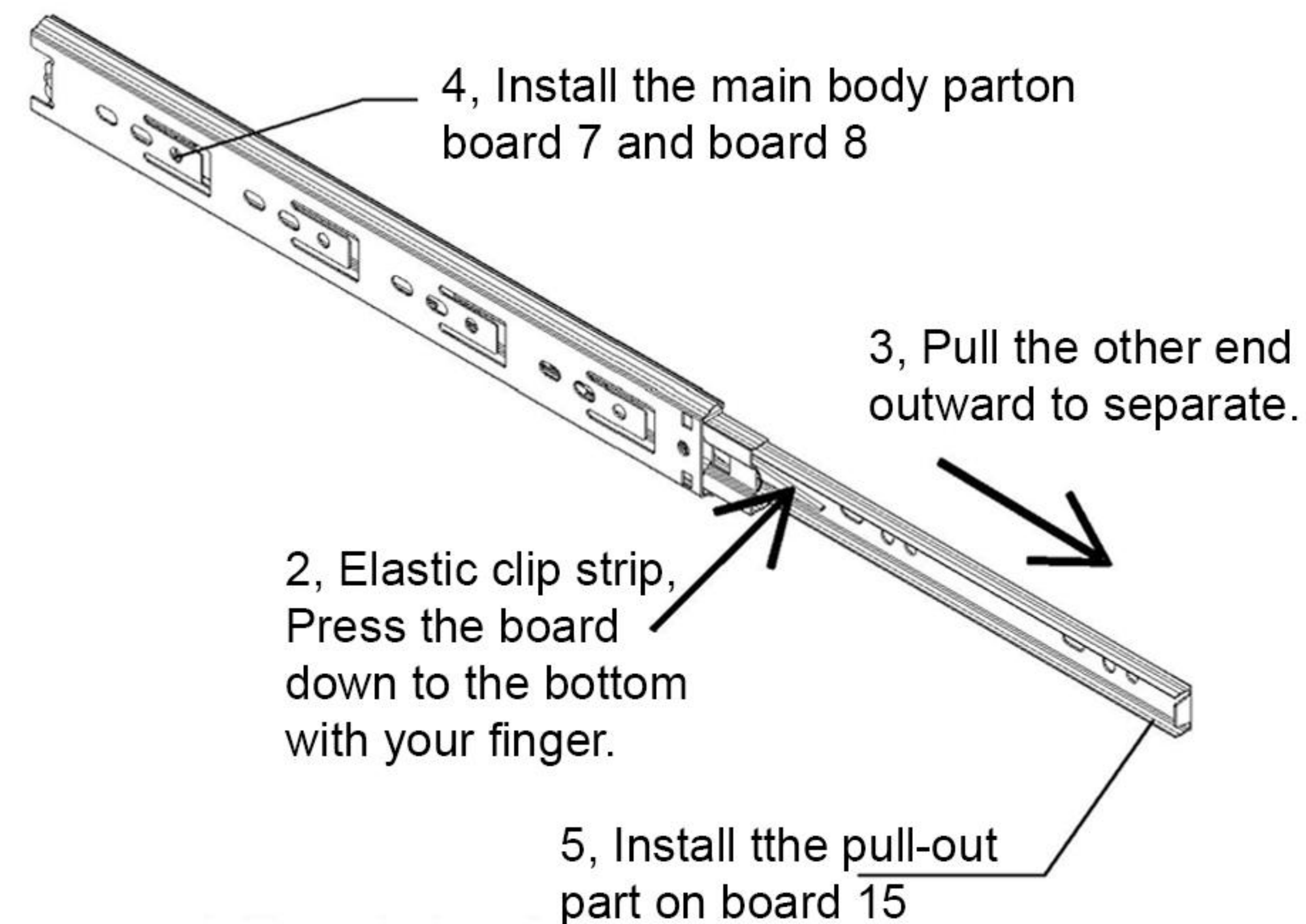
When installing G, use with screw E

1, Separate G (Sliding Rail)

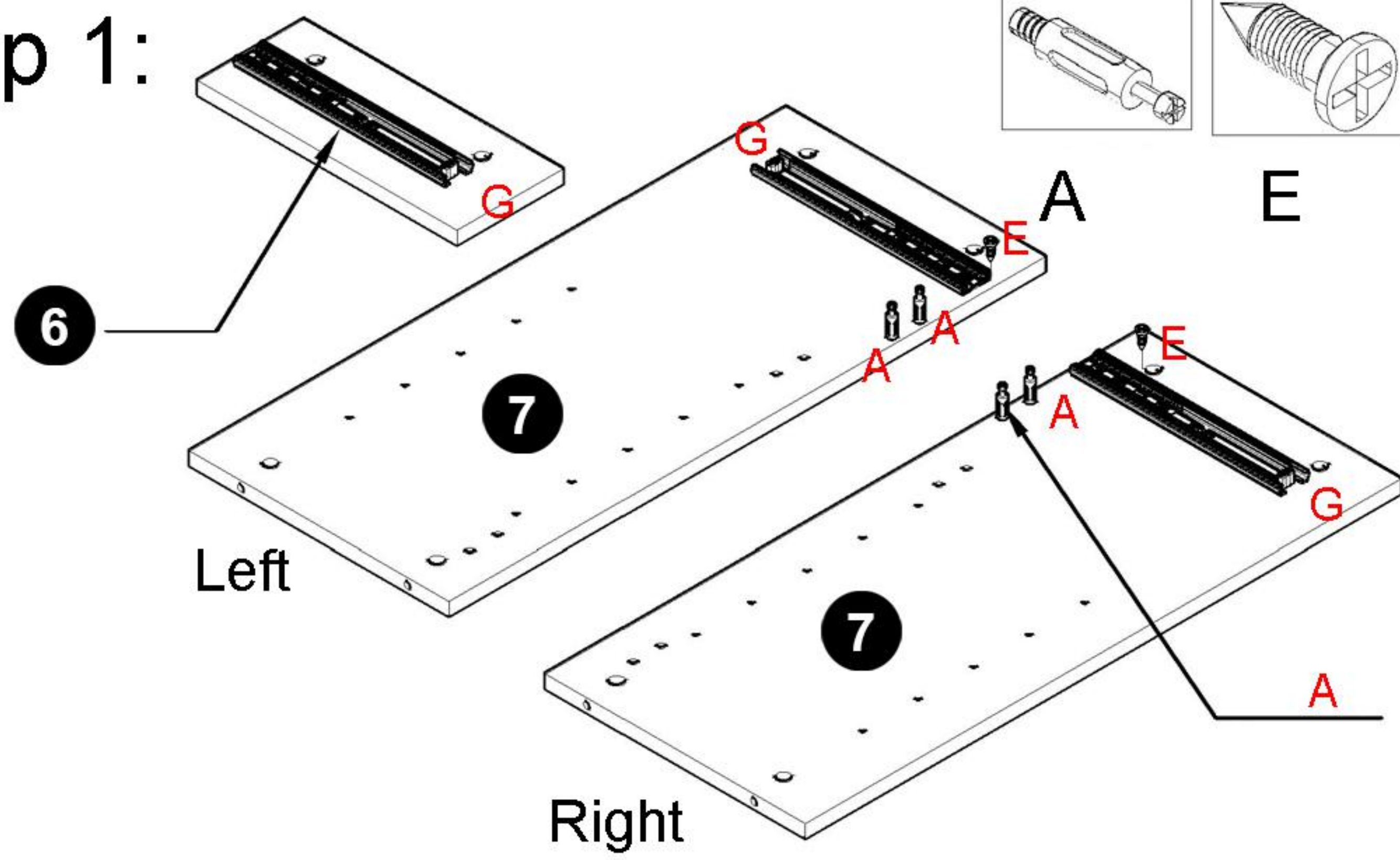


The main body part

The pull-out part

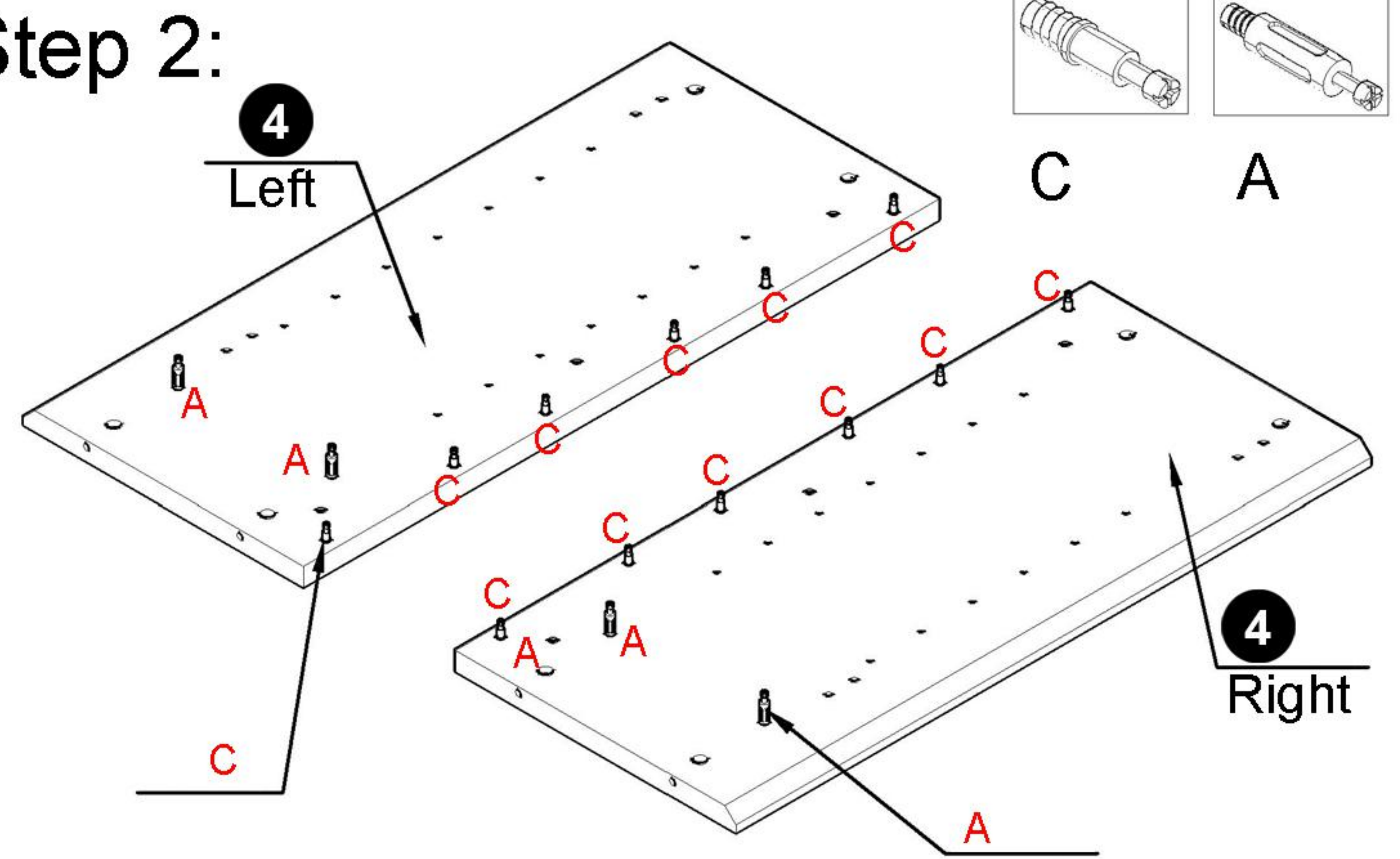


Step 1:

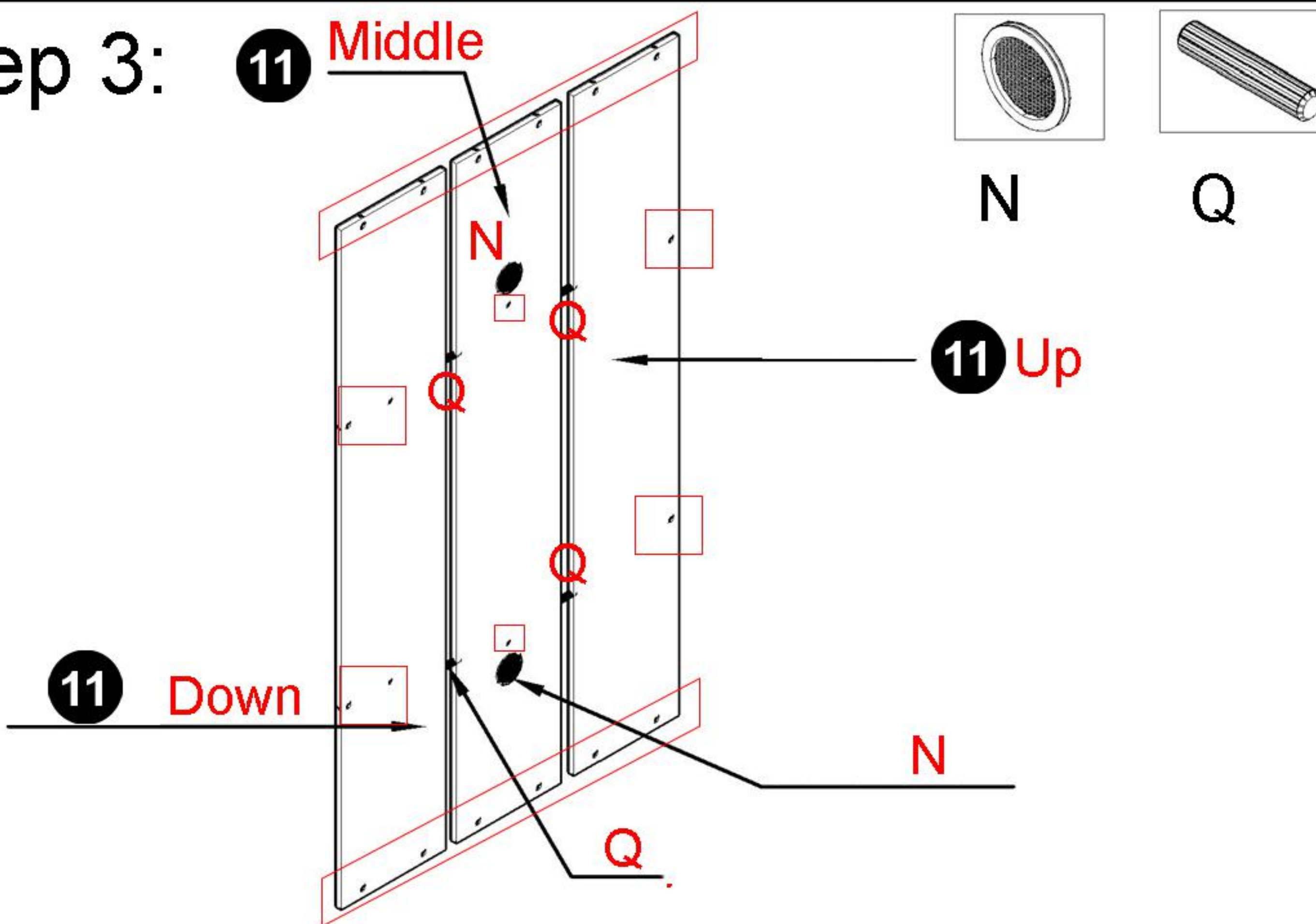


Attach G and A to the baseboard.
 Details: Use E to fix G onto the board. Ensure all parts are flush and aligned.

Step 2:

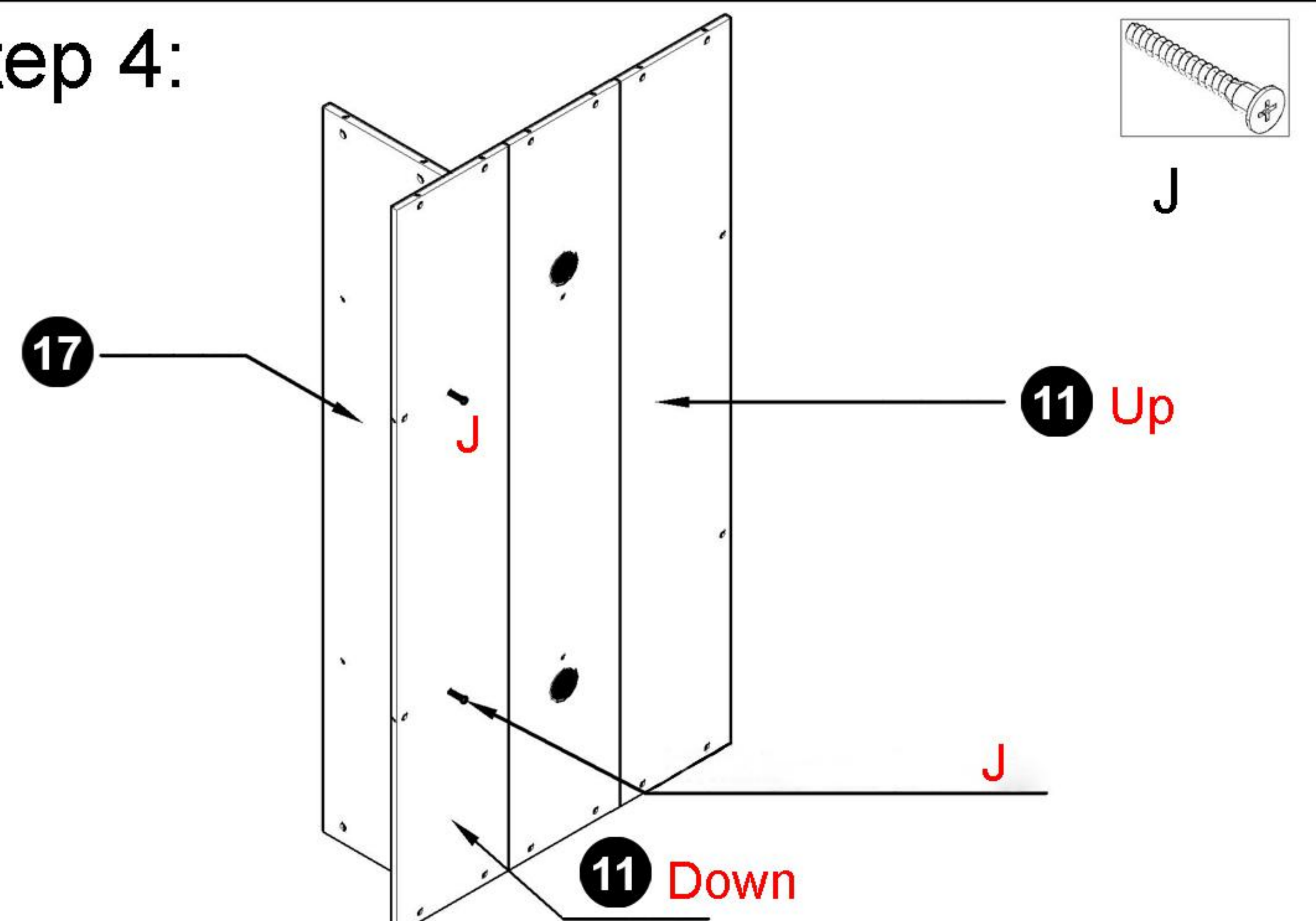


Step 3:



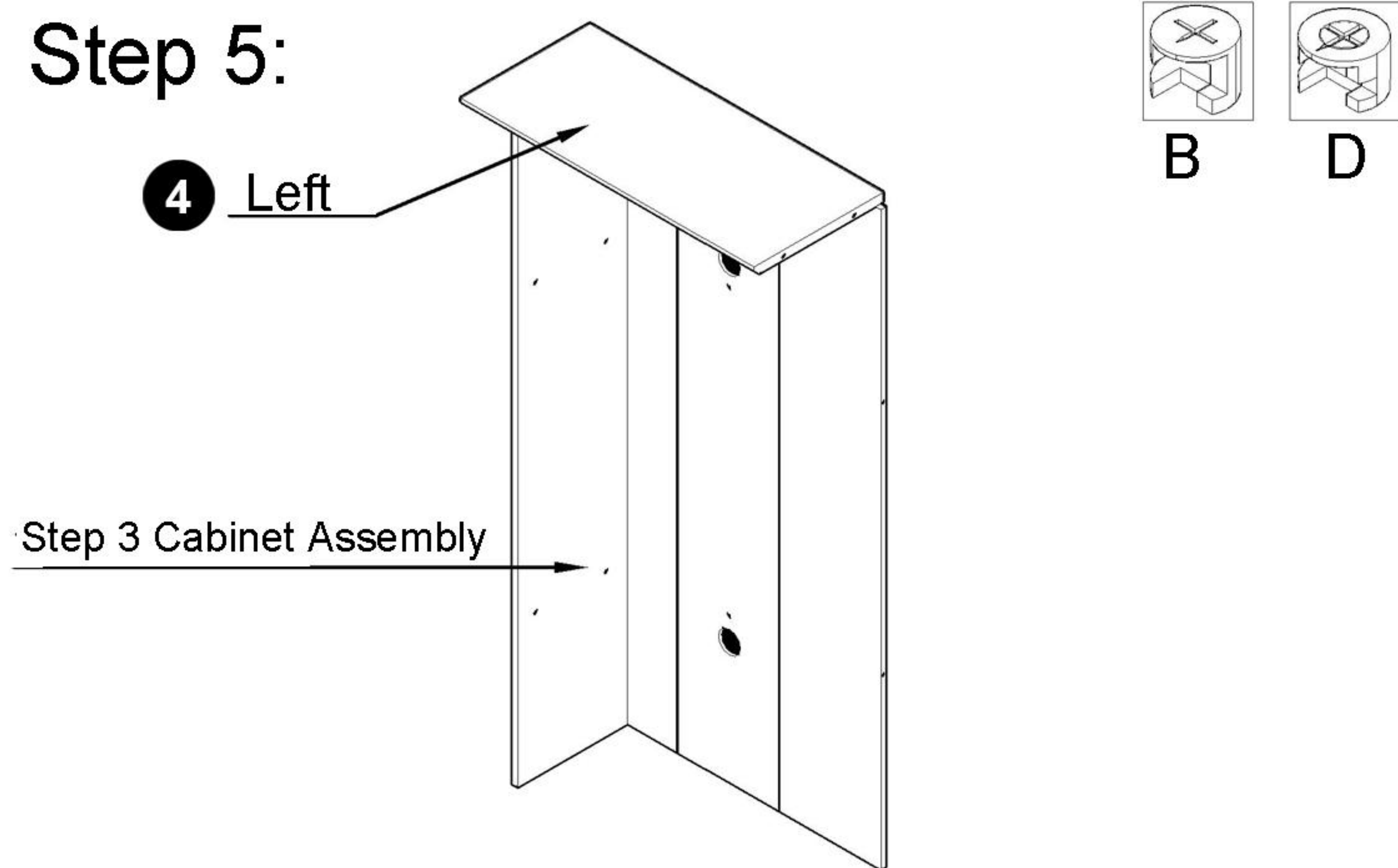
Note: Please distinguish the upper, middle and lower back panels according to the hole positions

Step 4:



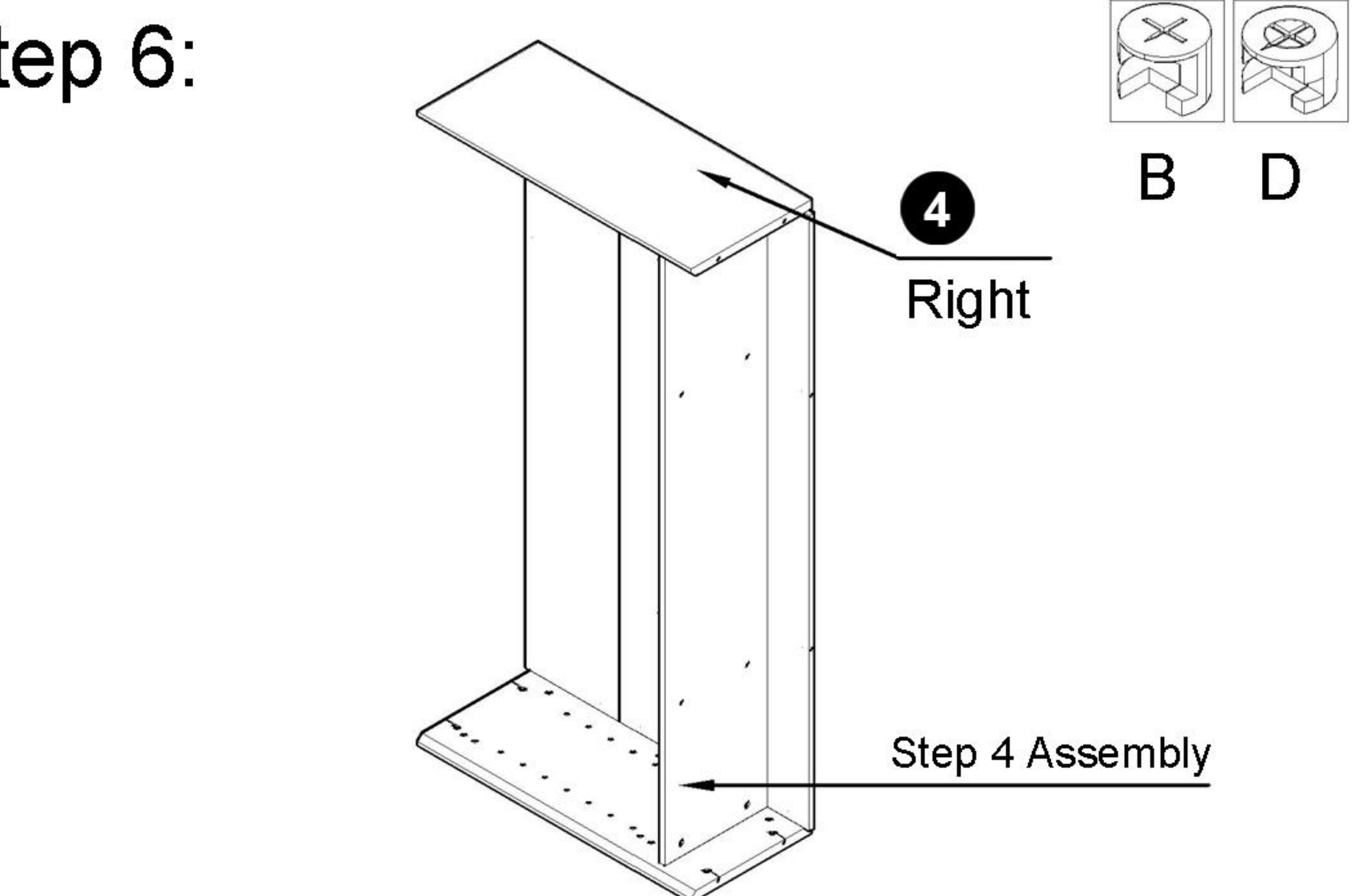
Details: Use J to attach 11 and 17

Step 5:



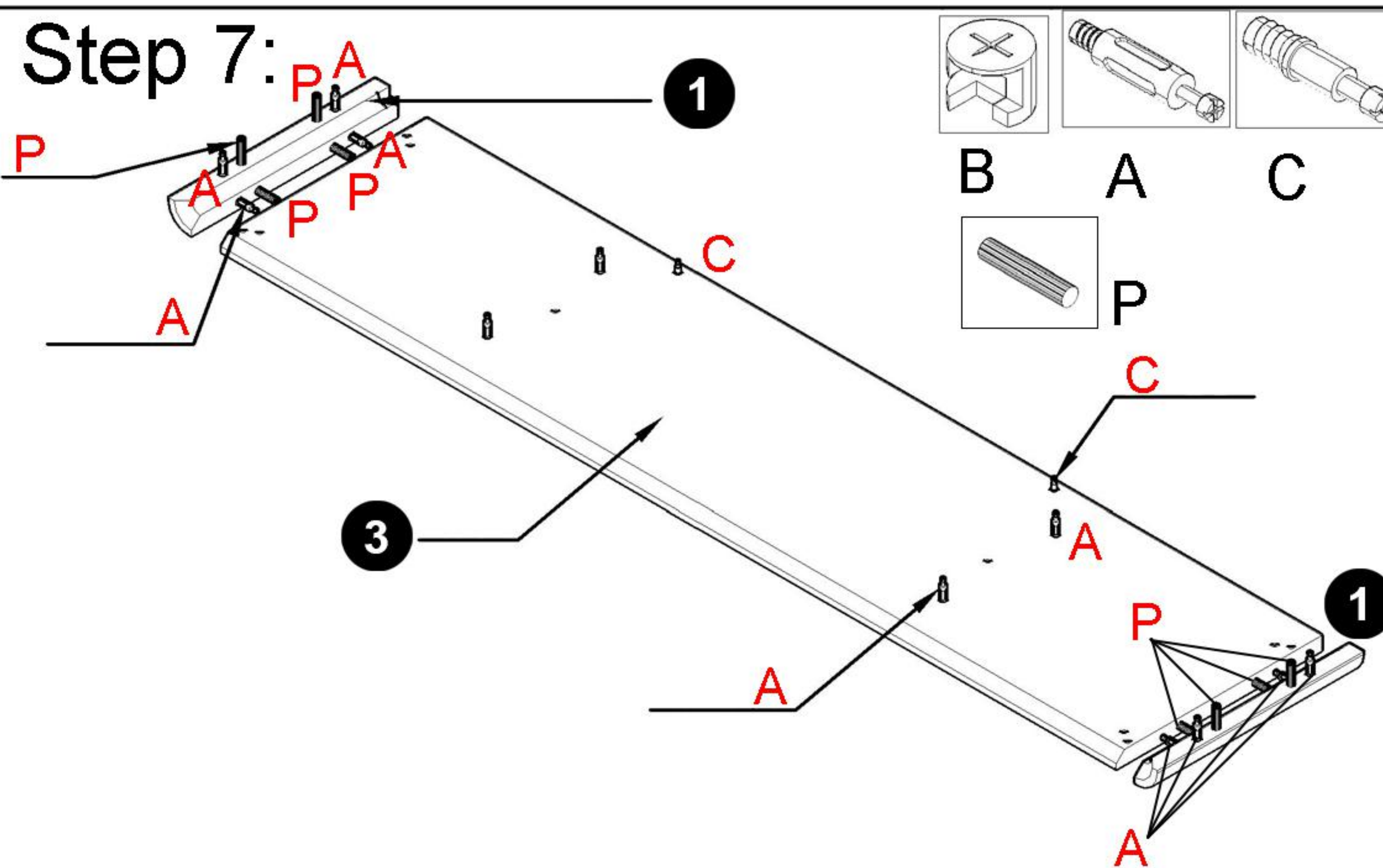
Connect the left side plate of 4 to the corresponding holes of the combination in step 3, and lock the connection with D or B.

Step 6:



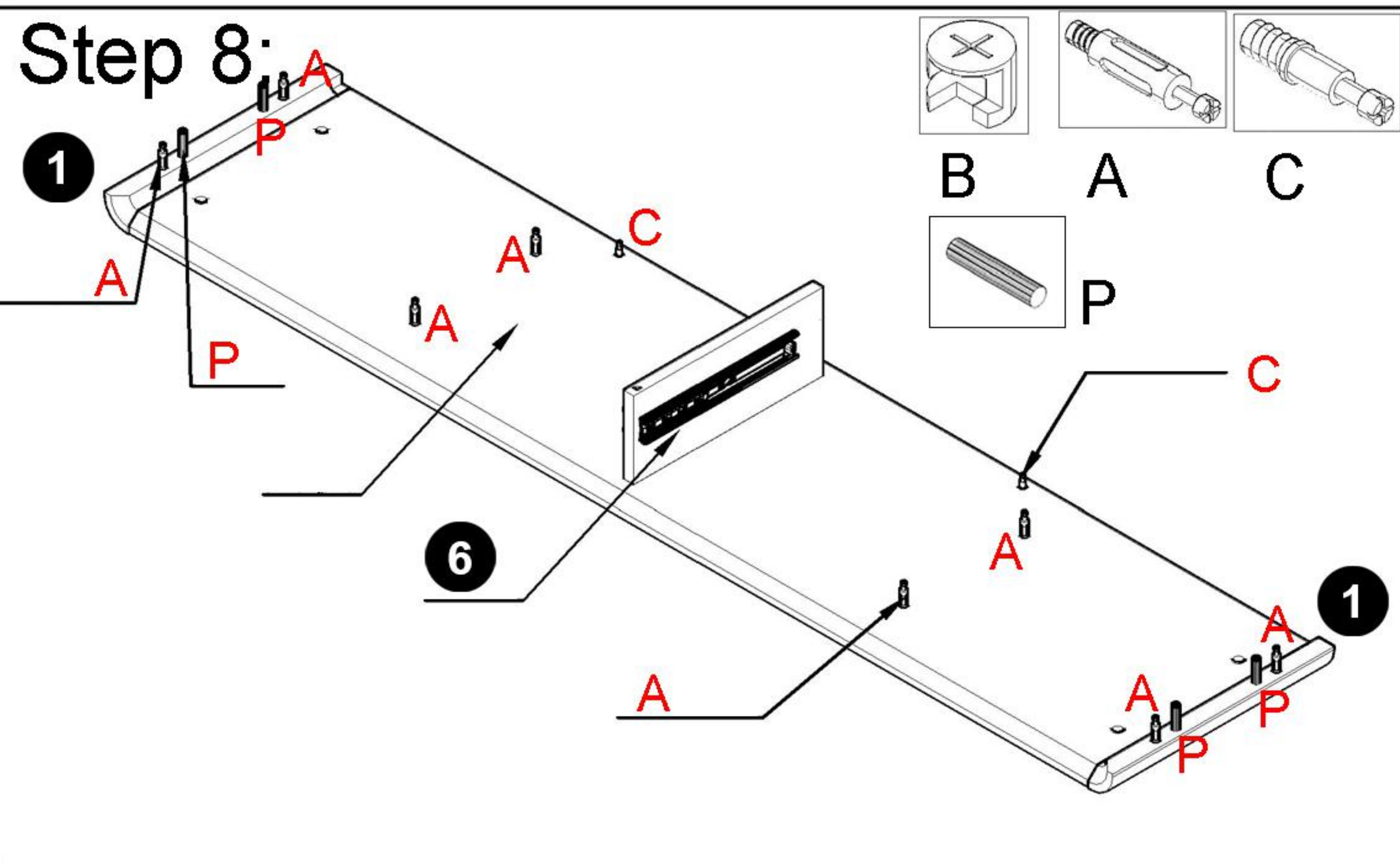
Connect the right side plate of 4 to the corresponding holes of the combination in step 4, and lock the connection with D or B.

Step 7:

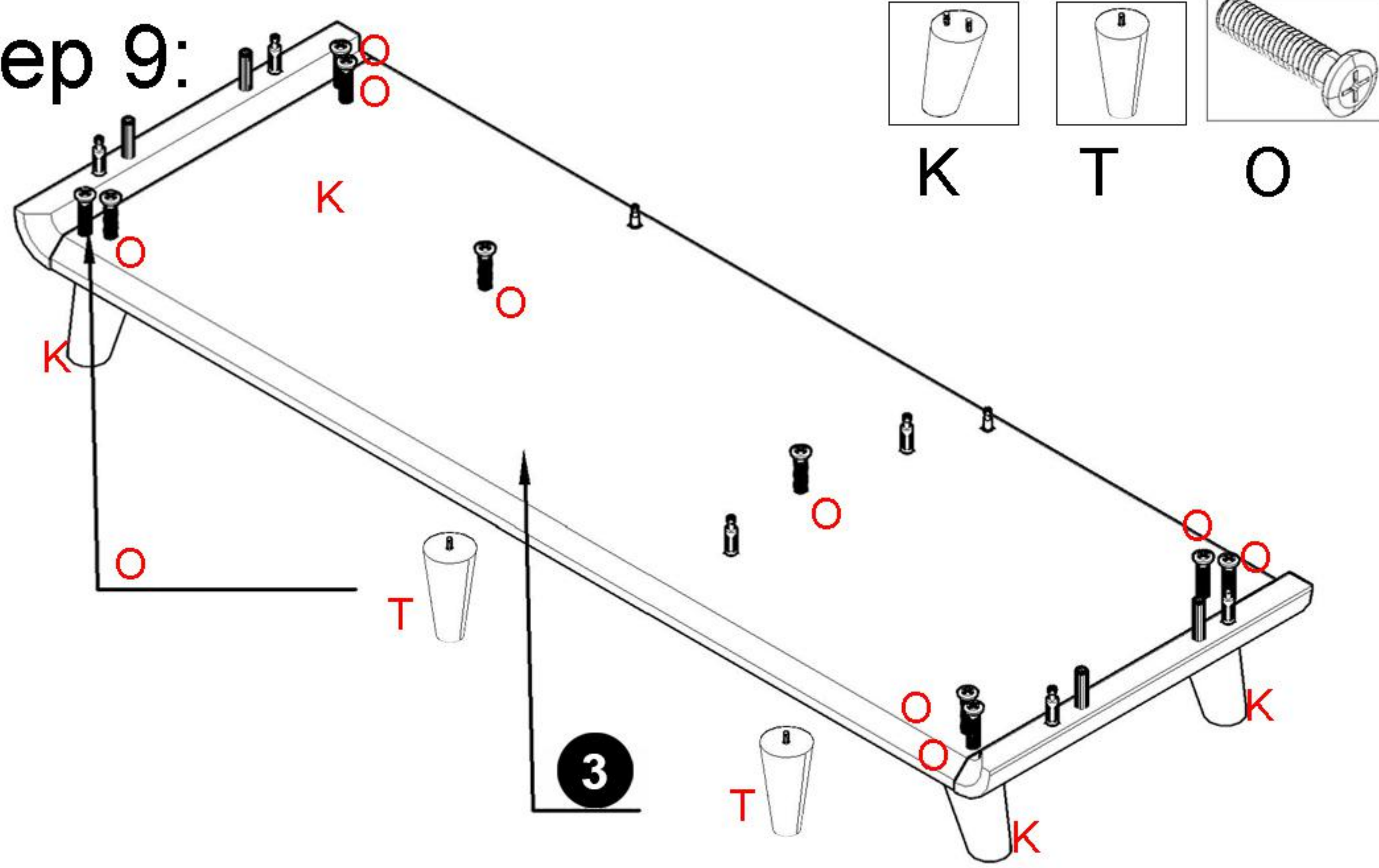


Connect 1 and 2 with P and secure with B. Install A and C into the pre-drilled holes.

Step 8:

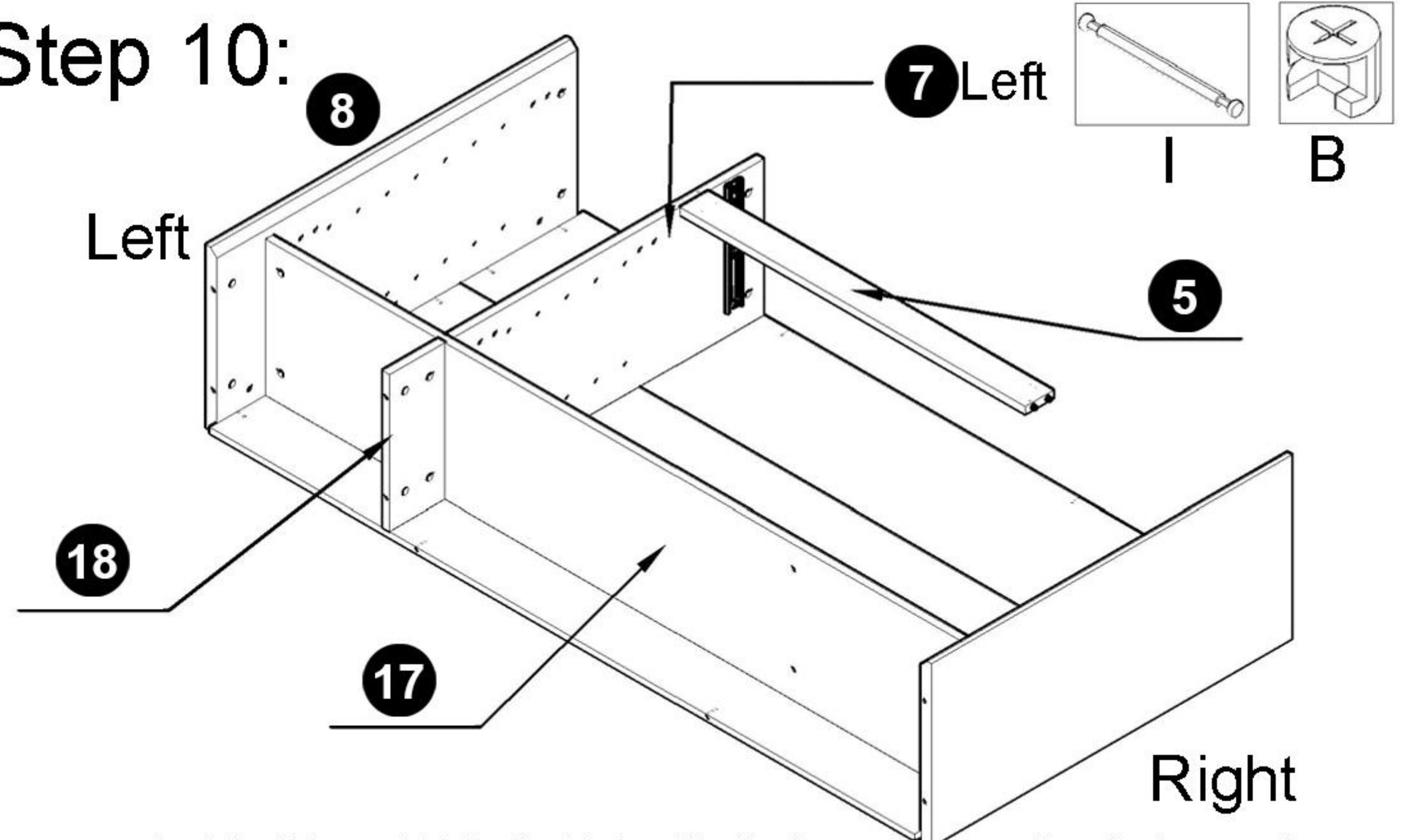


Step 9:



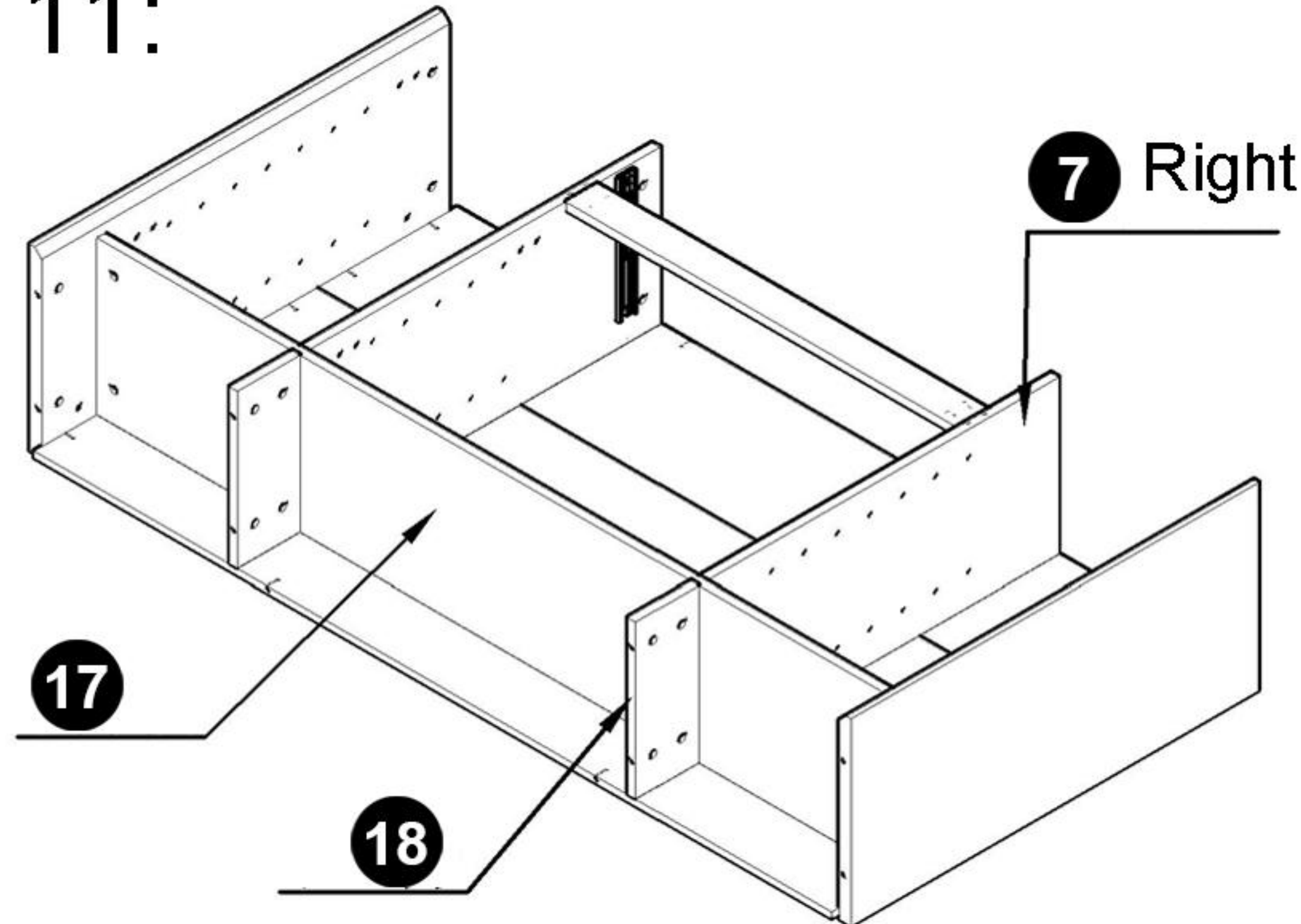
Install K and T to the underside of panel 3 using screws O
Note: If you do not wish to install the four cabinet legs, please directly follow the assembly method outlined in Step 22.

Step 10:



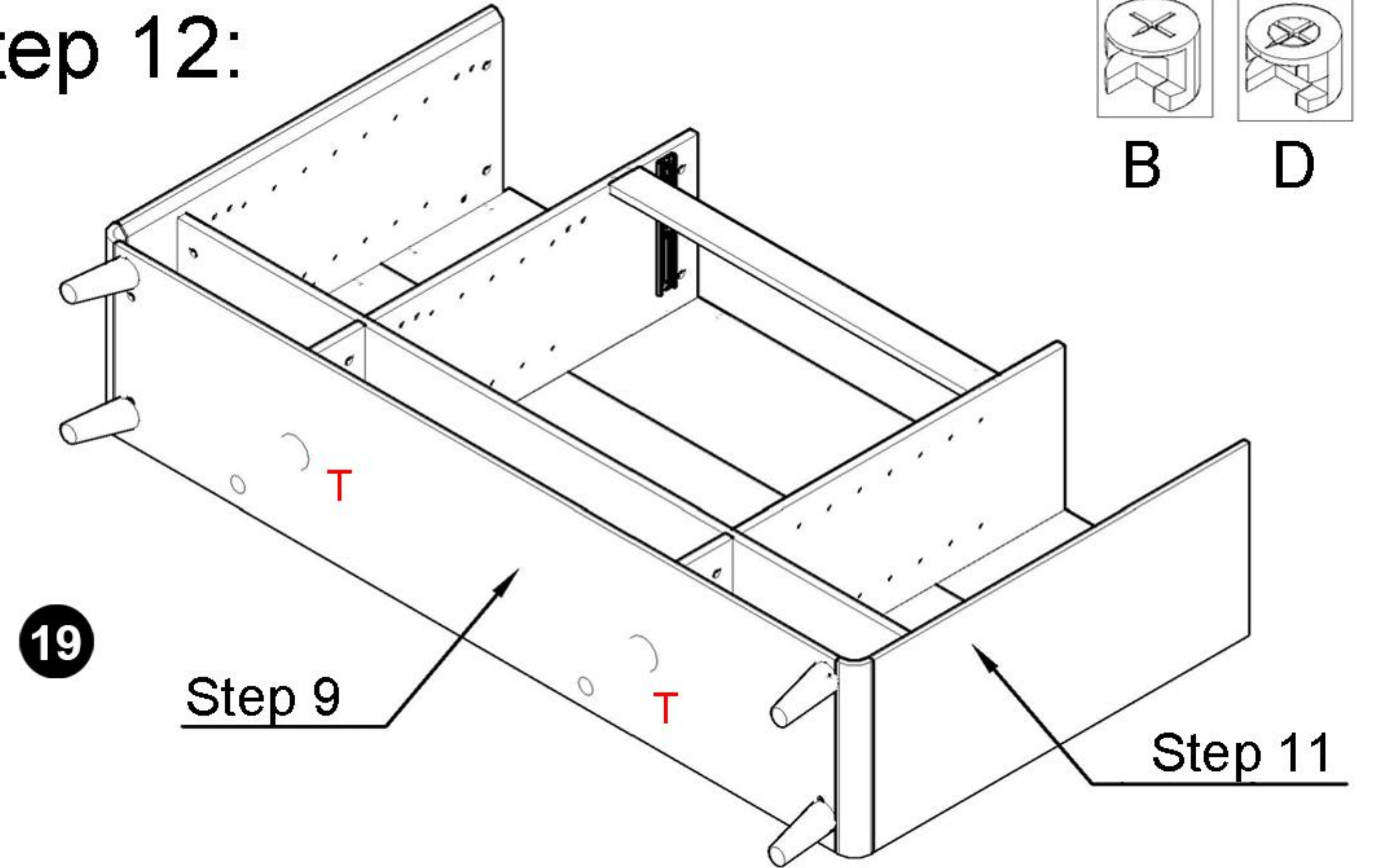
Align panels 18, 17, and 7 (left side) with their corresponding holes and connect them using I. Tighten the connections by using B. Then, align panel 5 with 7 (left side) at their corresponding holes and connect them and tighten the connections by using B

Step 11:



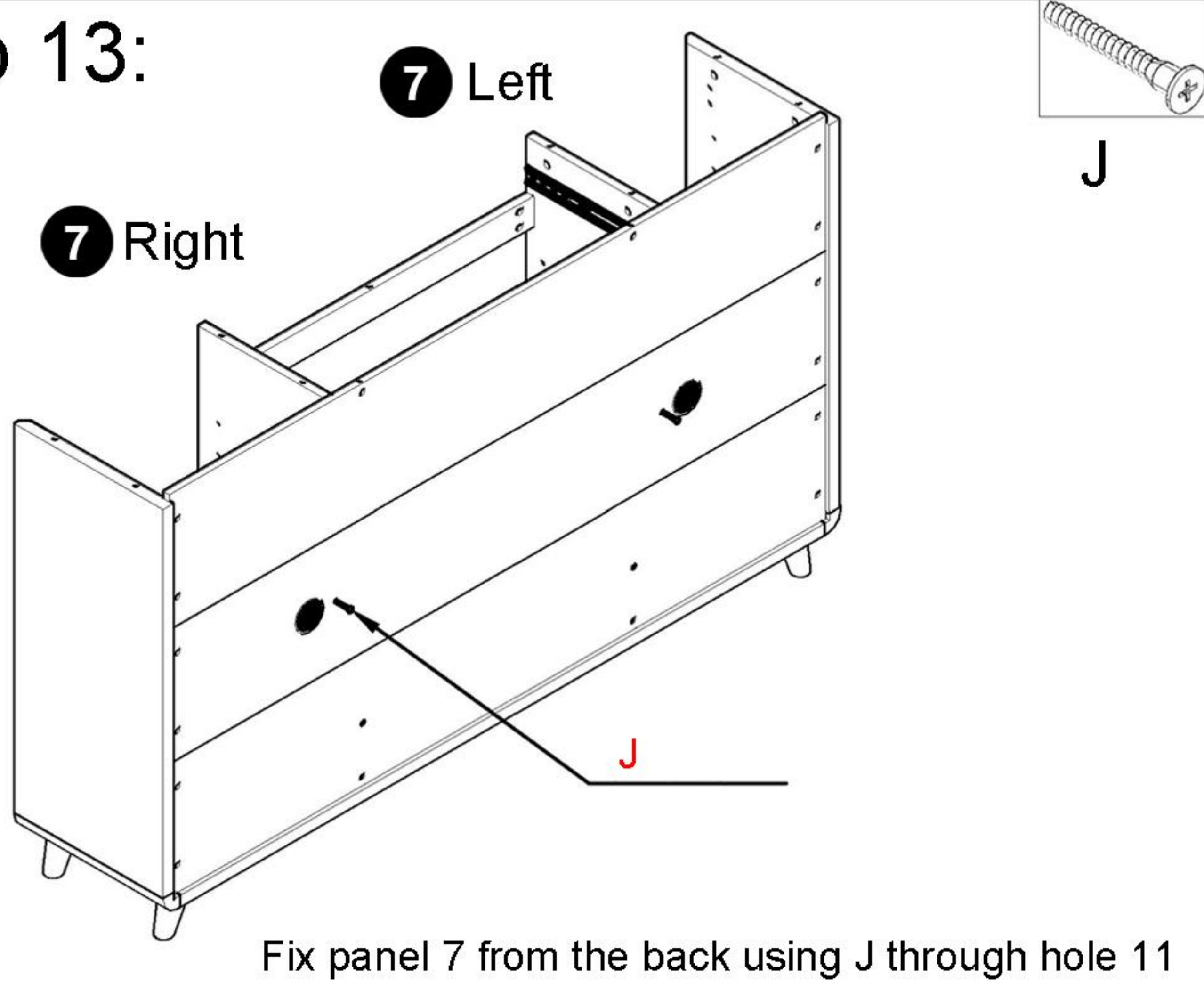
Repeat the previous step for 7 (right side). Align it with the corresponding holes of the other panels, connect using I, and secure with B.

Step 12:



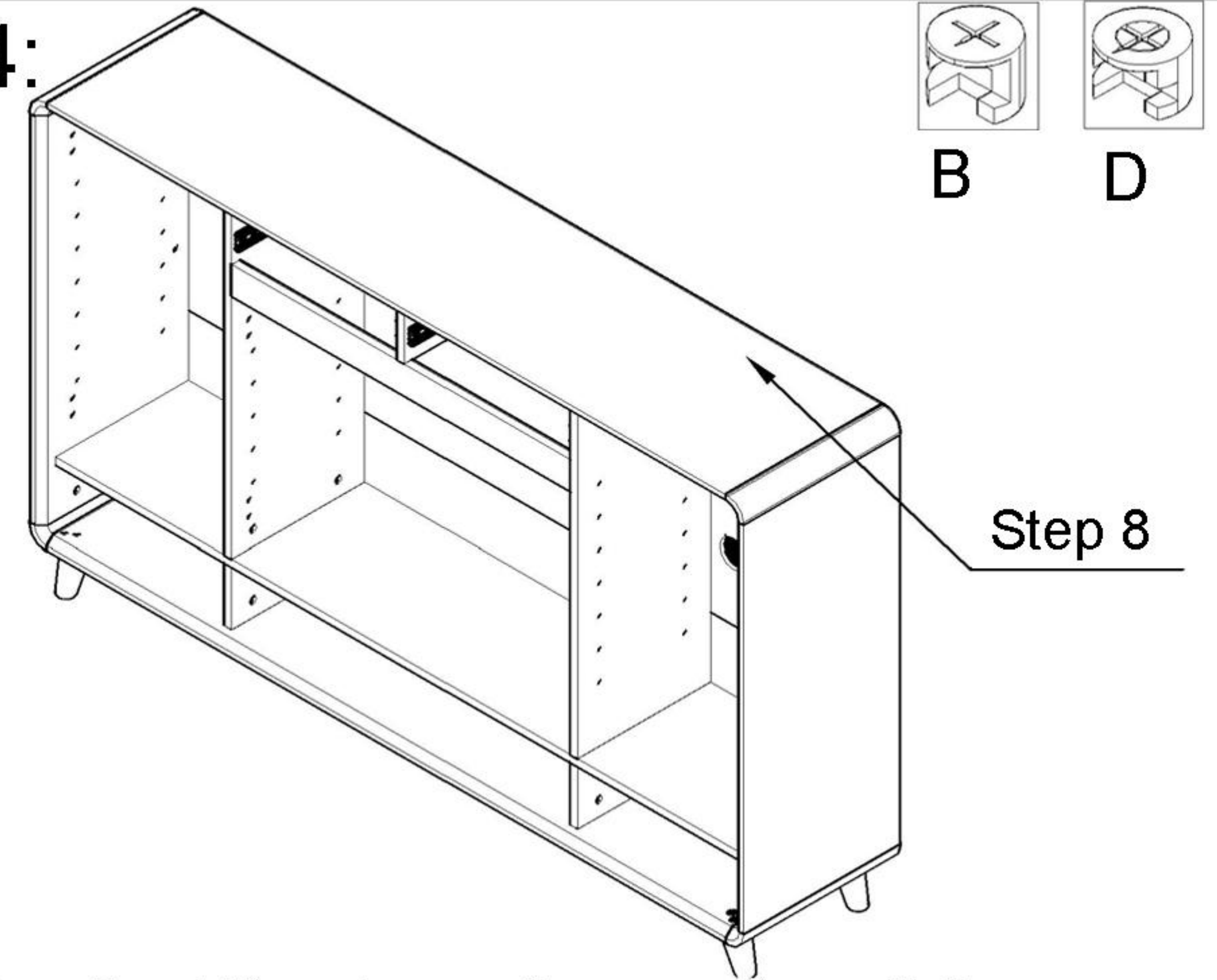
Connect steps 9 and 11, and secure the connections with the appropriate size D or B

Step 13:



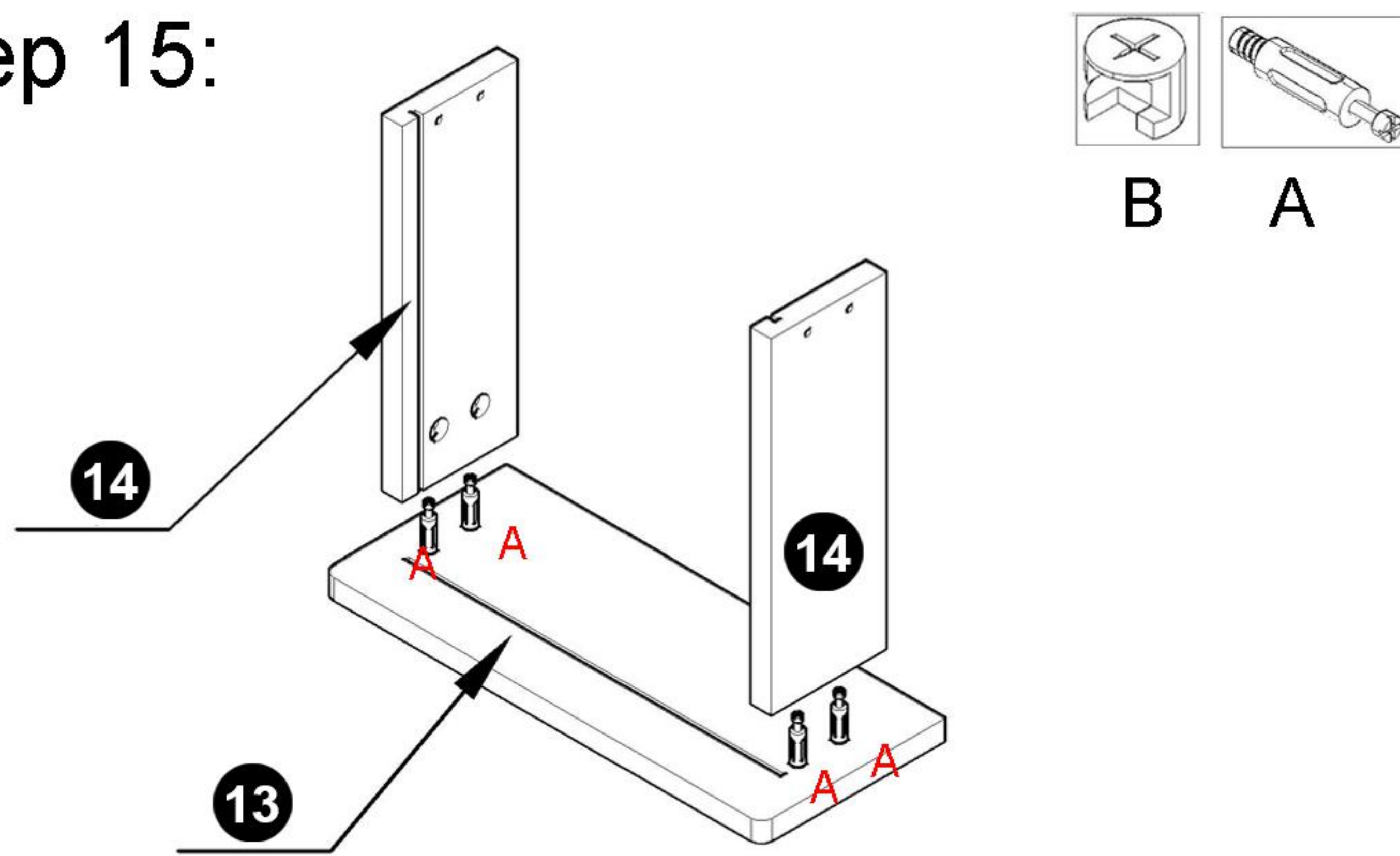
Fix panel 7 from the back using J through hole 11

Step 14:



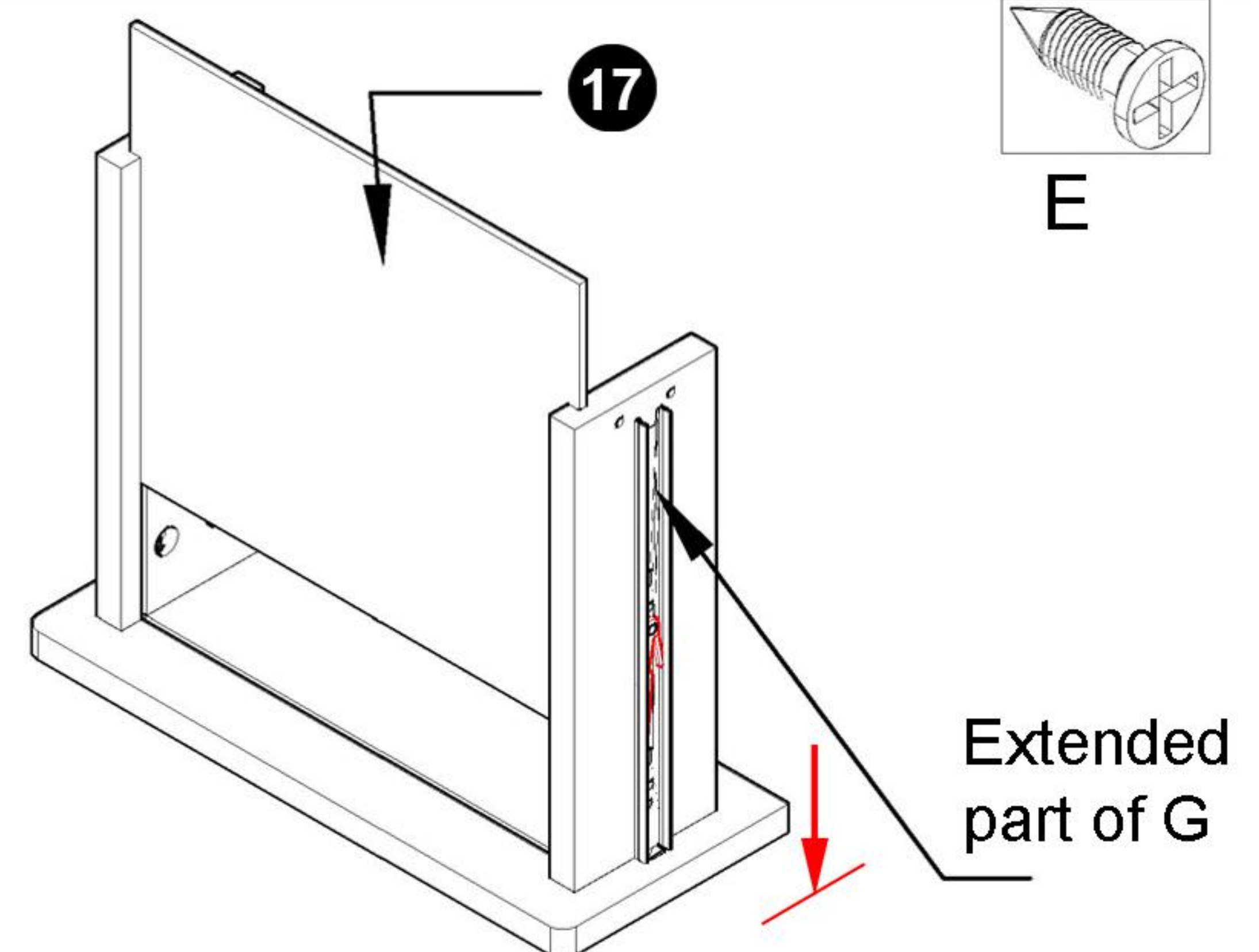
Connect steps 8 and 13, and secure the connections with the appropriate size D or B

Step 15:



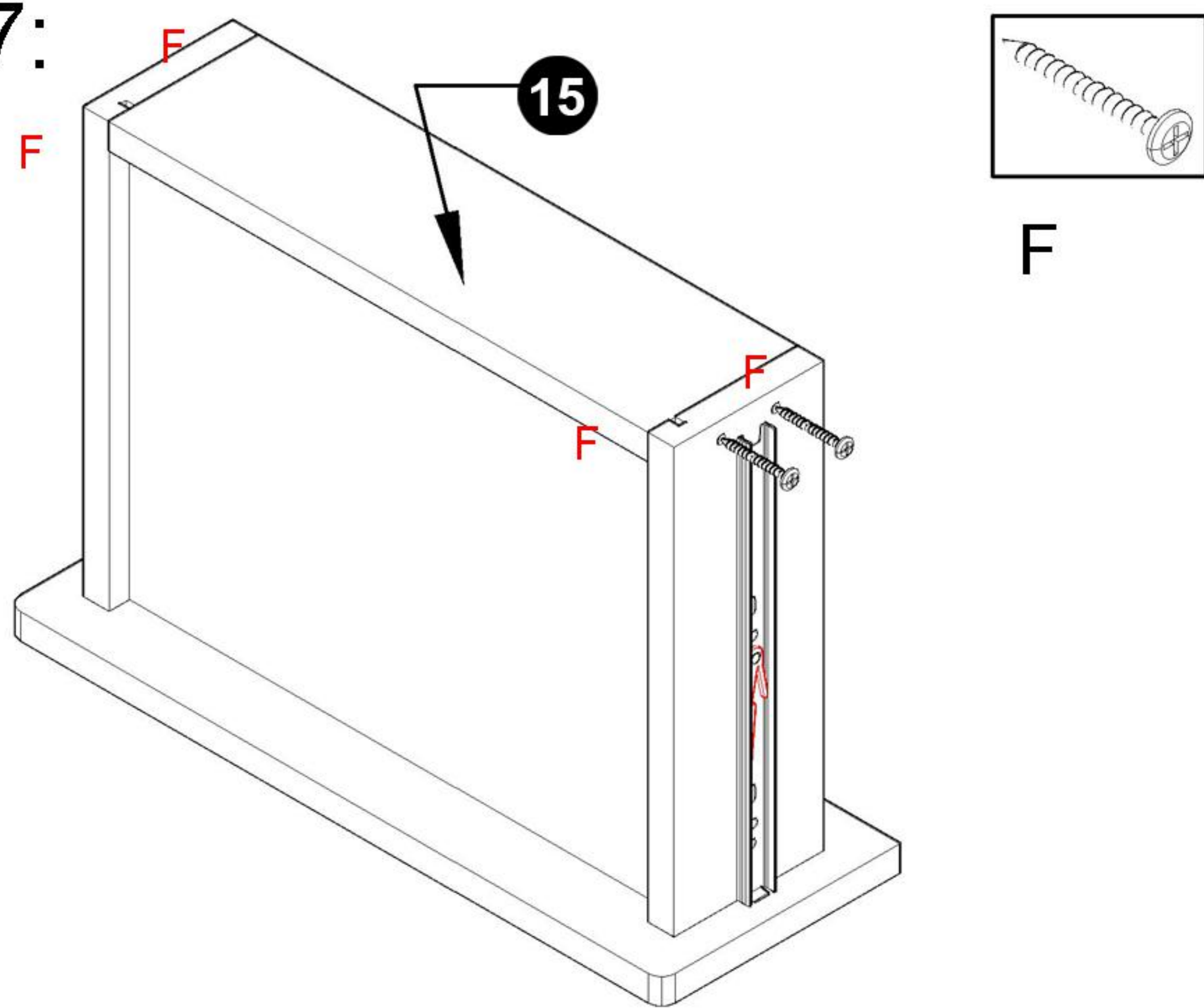
Note: The grooves on panel 13 must align with the grooves on panel 14, and secure all joints with B

Step 16:



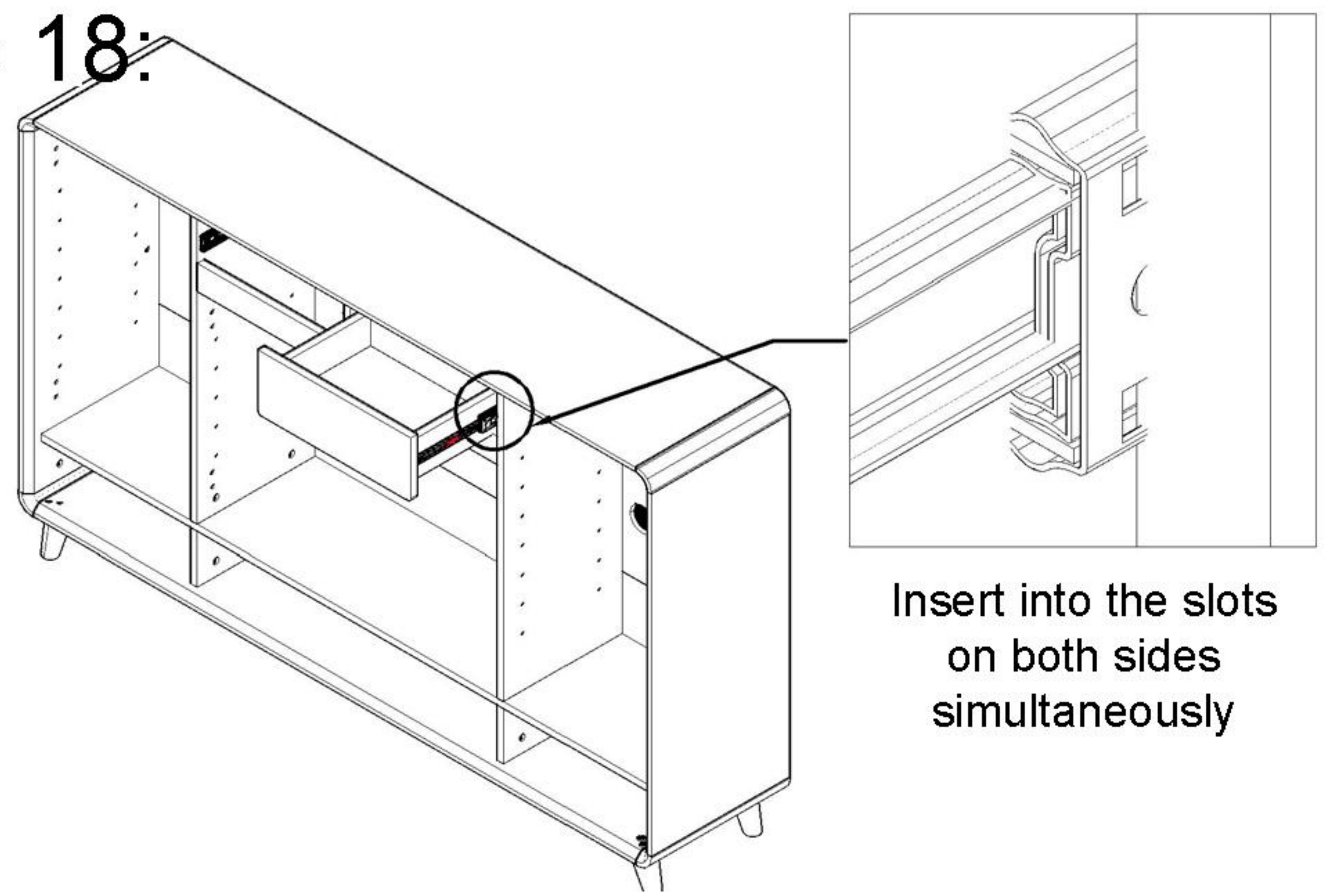
Insert panel 17 as indicated by the arrow. Position the extended part of G on the outside of both panel 14 pieces. Ensure the stopper side of G rests against panel 13

Step 17:



Secure panel 15 using F

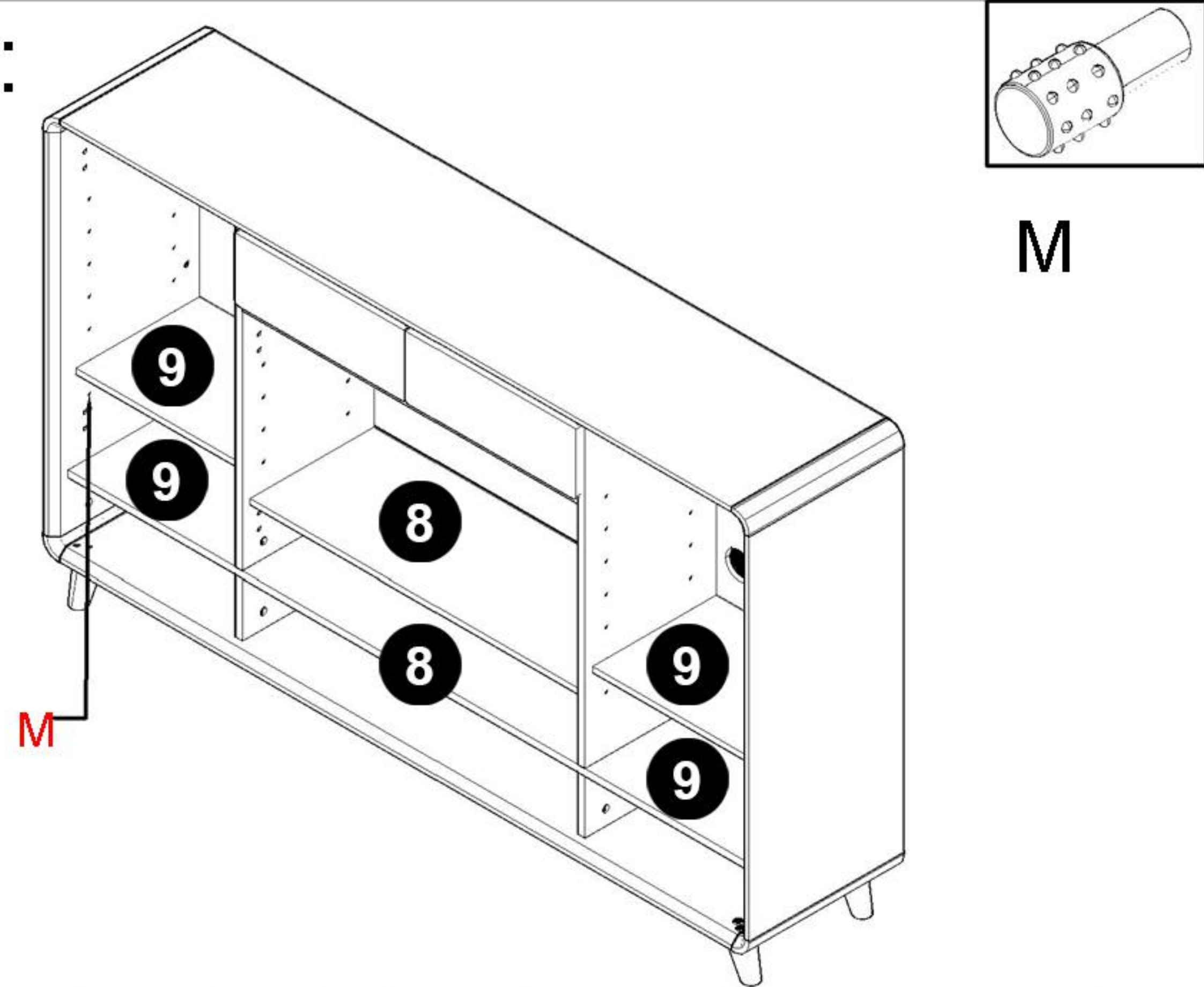
Step 18:



Insert into the slots on both sides simultaneously

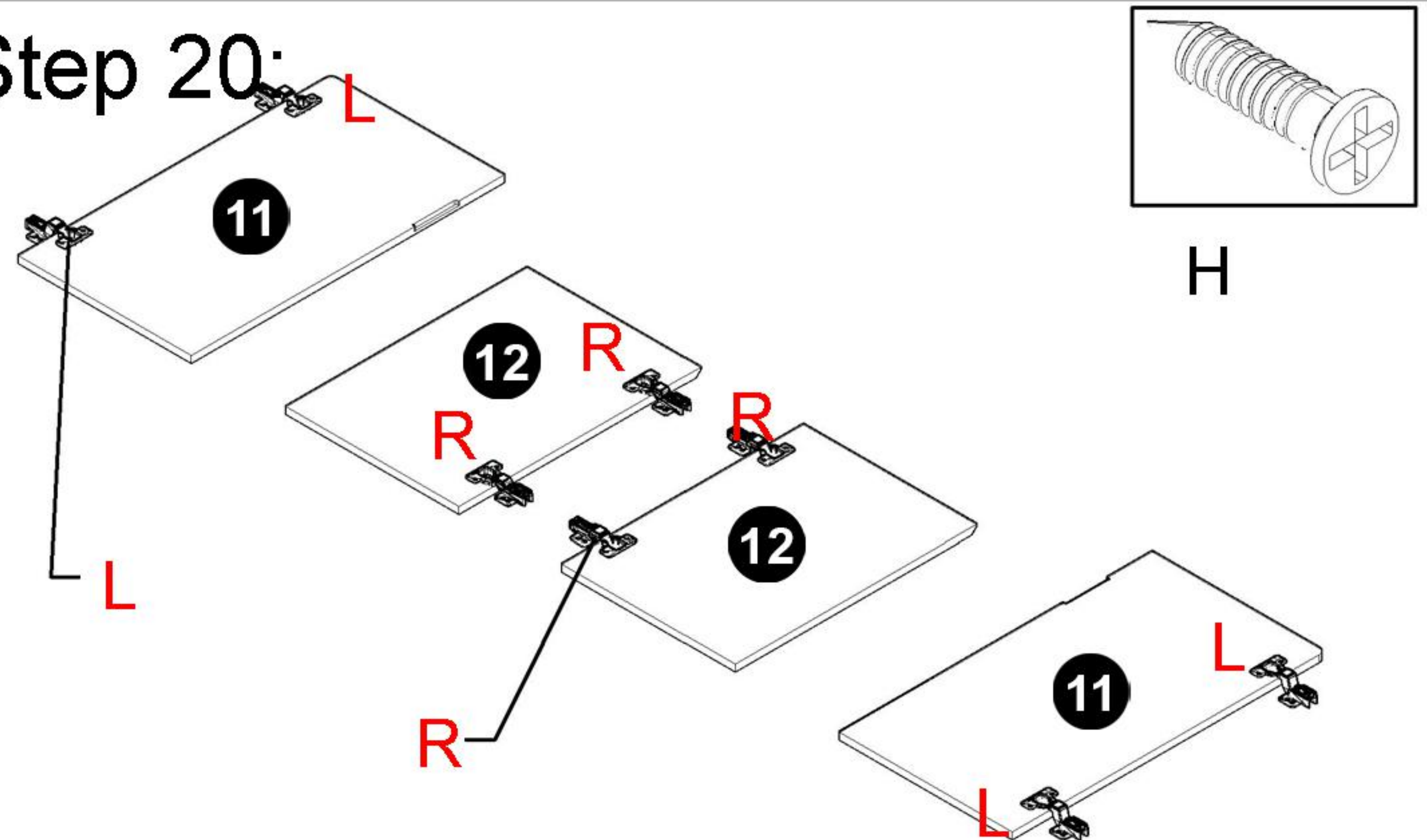
Pull G to its full length, with the silver ball-bearing section at the front. Insert the small tracks on both sides of the drawer into the slots, then gently push to secure.

Step 19:



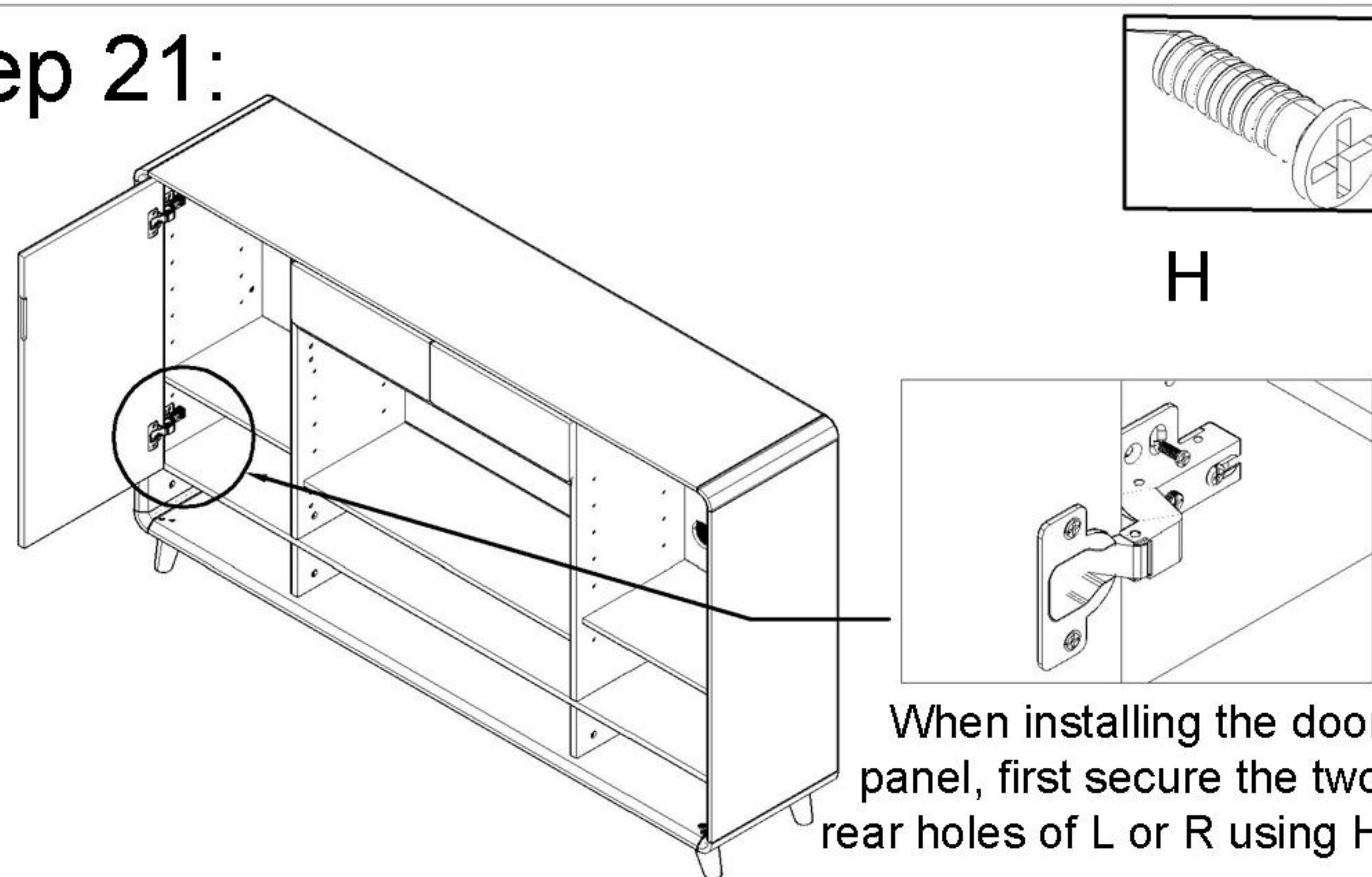
Install M onto panels 4 and 7, then place panels 9 and 10 onto M

Step 20:



Note: When installing L or R, if you encounter resistance while tightening the screws, stop immediately. Continuing to apply force may cause the threads to strip or damage the mechanism.

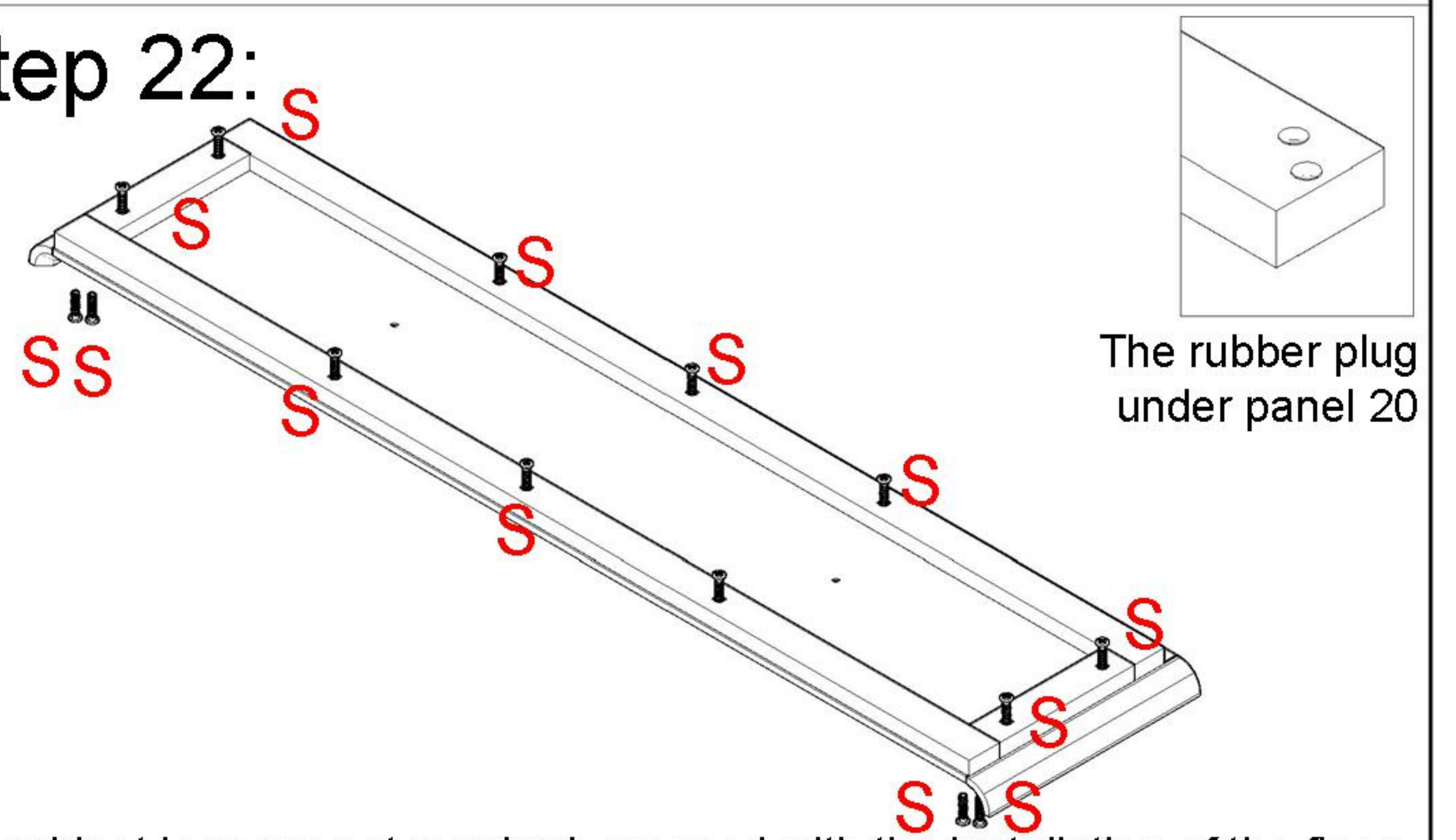
Step 21:



When installing the door panel, first secure the two rear holes of L or R using H

First, secure the rear two holes of L or R with H, then install the front two holes. Refer to the initial hinge installation instructions to adjust the door's height and gap.

Step 22:



The rubber plug under panel 20

If cabinet legs are not required, proceed with the installation of the floor skirting board by following the instructions below. First, use S to pass through the bottom panel hole and secure it in the rubber plug holes of panels 19 and 20. Then, use S to pass through panels 19 and 20 to secure the rubber plug holes of the bottom panel. The screw direction is shown in the diagram. Please pay attention to the screw installation direction.

